



Powering Business Worldwide

Aerospace Group
Conveyance Systems Division
Carter[®] Brand Ground Fueling Equipment

SM427MISC

June 1, 1993

Applicable addition manuals:

SM60427 Nozzle

SM61445 Coupler

SM40679 Quick Disconnect

Maintenance & Repair Manual

Misc. Male Adapters To Mate Model 60427 Nozzles And Model 61445 Couplers

TABLE OF CONTENTS

	<u>PAGE</u>
1.0 INTRODUCTION	3
2.0 EQUIPMENT DESCRIPTION.....	3
3.0 DISASSEMBLY	3
4.0 INSPECTION.....	3
5.0 REASSEMBLY	3
6.0 TEST.....	4
7.0 ILLUSTRATED PARTS CATALOG	4
FIGURE 1	5

MAINTENANCE, OVERHAUL & TEST INSTRUCTIONS MISCELLANEOUS MALE HALF ADAPTERS

1.0 INTRODUCTION

This manual furnishes detailed instructions covering the maintenance and overhaul of Eaton's Carter brand Models 41600, 44812 and 44805 Male Half Adapters. These

adapters are utilized to mate different Eaton Carter brand or Whittaker female half quick disconnects.

2.0 EQUIPMENT DESCRIPTION

Three Carter brand male half adapters are designed to mate either Carter Model 60427 Nozzle or Model 61445 (or the older Model 60445) Hydrant Coupler to allow the unit to

be connected to either a mating Carter brand female quick disconnect half or a Whittaker F582 or F577 quick dsconnect.

3.0 DISASSEMBLY

3.1 Separate the male adapter from the nozzle or coupler by removing the six Screws (5) and Washers (4). Remove and discard O-ring (3). Follow the appropriate instructions for the individual male half adapter part number involved.

3.3 44805 Whittaker Male Half Adapter - Remove and discard Quad Ring (8). Do not remove Wear Ring (9) unless it is to be replaced. Replace it if the adjacent metal surfaces show signs of galling or the part itself is damaged.

3.2 41600 Flight Refueling Adapter - Do not remove Ball Race Ring (2) unless it is to be replaced.

3.4 44812 Heavy Duty Male Half Adapter - Remove O-ring (12) and discard. Do not remove Ball Race Rings (2) unless they are to be replaced.

4.0 INSPECTION

It is recommended that the O-rings (3) and (12) and Quad Ring (8) be replaced at each repair or overhaul. Inspect all metal parts for dings, gouges, abrasions, etc. Use 320 grit paper to smooth and remove sharp edges. Replace any part with

damage exceeding 15% of local wall thickness. Use Alodine 1200 to touch up bared aluminum. The Ball Race Rings (2) & (10) should be checked for noticeable wear. Replace if wear is apparent.

5.0 REASSEMBLY

5.1 Reassemble in reverse order of disassembly (Refer to Figure 1), observing the following:

resistant compound on all interior or exterior surfaces. Wash all parts with cleaning solvent, Federal Specification P-D-680 or equivalent, and dry thoroughly with a clean, lint-free cloth or compressed air.

5.1.1 Make certain all components are clean and free from oil, grease, or any other corrosion

WARNING:

Use cleaning solvent in a well-ventilated area. Avoid breathing of fumes and excessive solvent contact with skin. Keep away from open flame.

5.1.2 NOTE: A light coat of petrolatum, Federal Specification VV-P-236 or equivalent commercial quality, can be applied to all o-rings and screws for ease of installation.

near the round end of the Adapter (7). If Wear Ring (9) is to be replaced do not over stretch it while installing. Install O-ring (3) onto flanged end of Adapters (1, 7 & 11).

Install O-ring (12) in groove in Adapter (11). Install Quad Ring (8) into the groove in Adapter (7) adjacent to Wear Ring (9). Be sure that the Quad Ring (8) is placed

5.1.3 If Ball Race rings (2) and (10) are to be replaced, be careful not to scratch adjacent surfaces of the Adapters (1, 7 & 11).

6.0 TEST

6.1 The Unit shall be tested as a part of a completed nozzle or coupler as instructed in SM60427 or SM61445.

7.0 ILLUSTRATED PARTS CATALOG

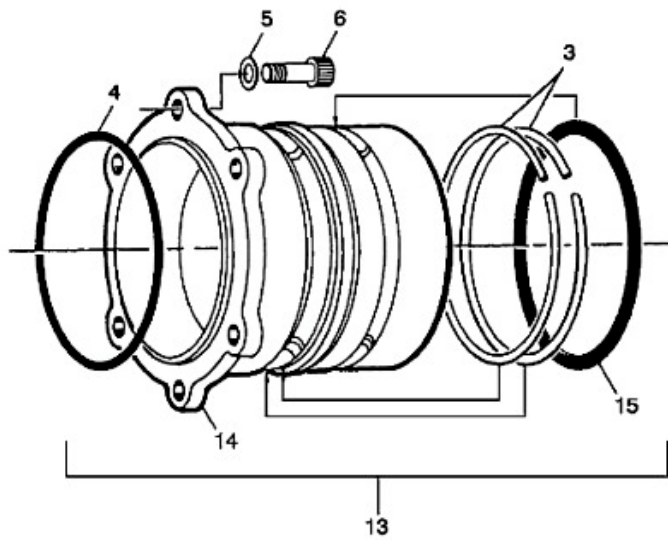
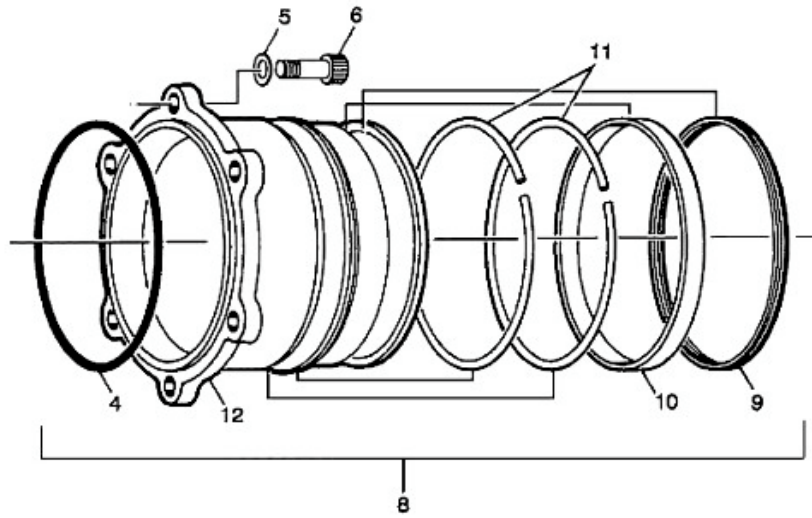
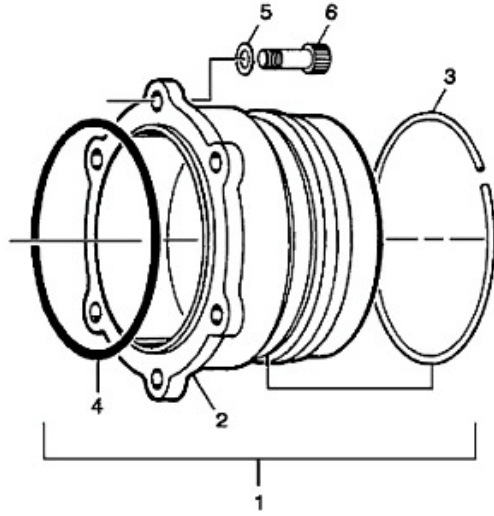
Table 1.0 tabulates the parts and sub-assemblies comprising the 41600, 44805 and 44812 Male Half Adater Assemblies. The item numbers of the table are keyed to the exploded view of the units diagramed in Figure 1.

TABLE 1.0

<u>Item</u>	<u>Part Number</u>	<u>Description</u>	<u>Units Per Assembly</u>	<u>Used on Option</u>	<u>Spares/10 Units/Yr</u>
1	41600	Male Half Assembly, Flight Refueling.....	1	60427R	-
2	26935	Adapter	1	60427R	-
3	28702	Ball Race Ring	1	60427R	1
4	201201-151	O-ring	1	60427R	10
5	5710-63-30	Washer	6	60427R	-
6	GF16995-49	Screw	6	60427R	-
8	44805	Male Half Adapter, Thiem.....	1	61445T	-
4	201201-151	O-ring	1	61445T	10
5	5710-63-30	Washer	6	61445T	-
6	GF16995-49	Screw	6	61445T	-
9	210174-231	Quad Ring.....	1	61445T	10
10	2803082-101	Wear Ring.....	1	61445T	5
11	207364	Ball Race Ring	2	61445T	2
12	210598	Adapter	1	61445T	-
13	44812	Male Half Adapter, Heavy Duty	1	61445R	-
14	203522	Adapter	1	61445R	-
3	28702	Ball Race Ring	2	61445R	2
4	201201-151	O-ring	1	61445R	10
5	5710-63-30	Washer	6	61445R	-
6	GF16995-49	Screw	6	61445R	-
15	201201-231	O-ring.....	1	61445R	10

Notes: 1. All part numbers beginning with "GF" are interchangeable with those beginning with either "AN" or "MS". If the "GF" is followed by three numbers it is interchangeable with and "AN" part, otherwise it is interchangeable with an "MS" part of the same number.

2. The recommended spare parts shown above are the number required to support 10 Units for one year or each overhaul whichever is sooner. These quantities do not include replacement spares for intermediate replacement of parts required by abuse or misuse of the equipment. The recommended quantities are based on the ratio of spare parts sold for each unit during a one year period of time. The actual quantity required will vary from location to location.



Aerospace Group
Conveyance Systems Division
9650 Jeronimo Rd
Irvine, CA 92618
Ph (949) 452-9500
Fax (949) 452-9992



Powering Business Worldwide