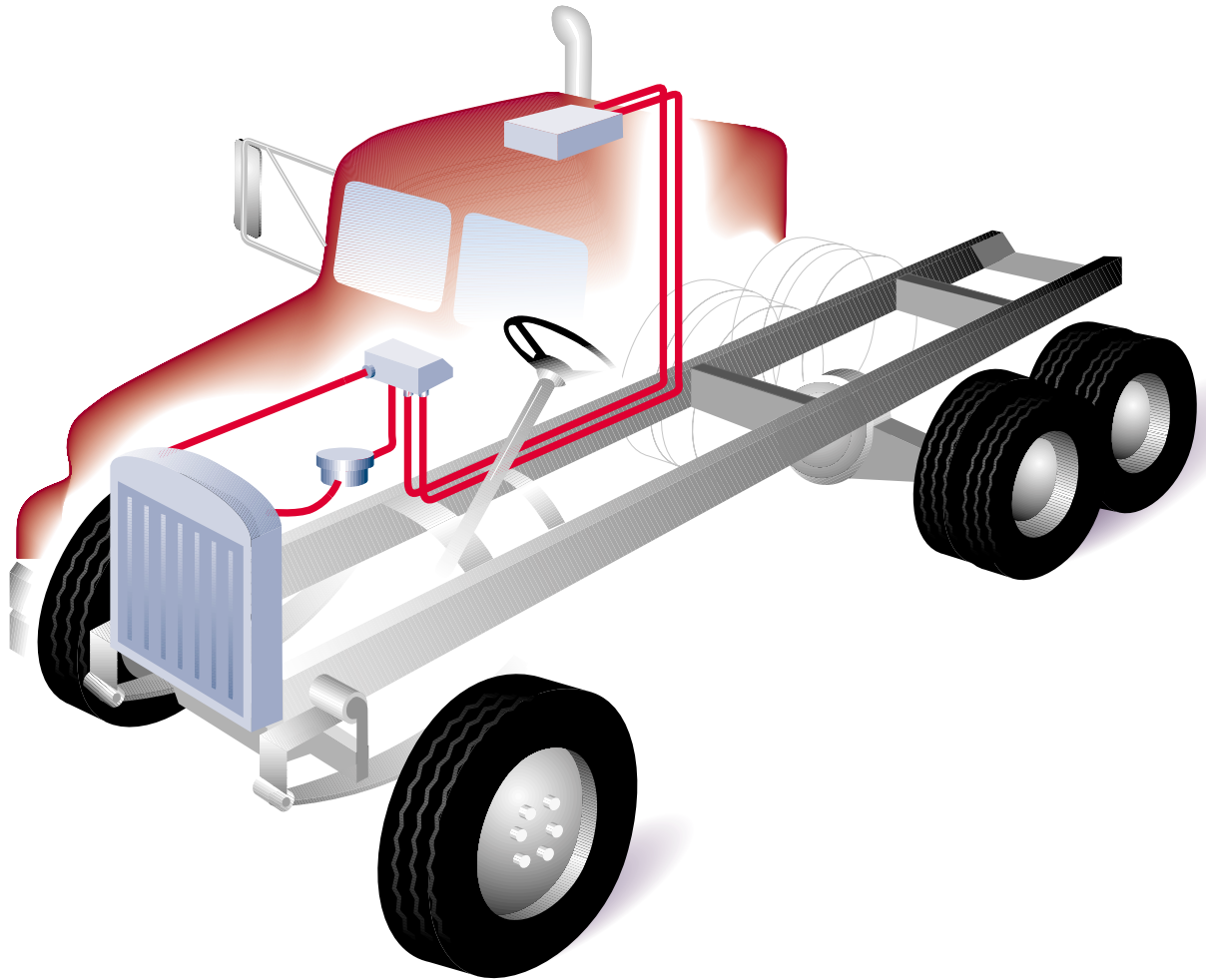


# Air Conditioning Systems



---

## GH134 Multi-Refrigerant Hose

### Features:

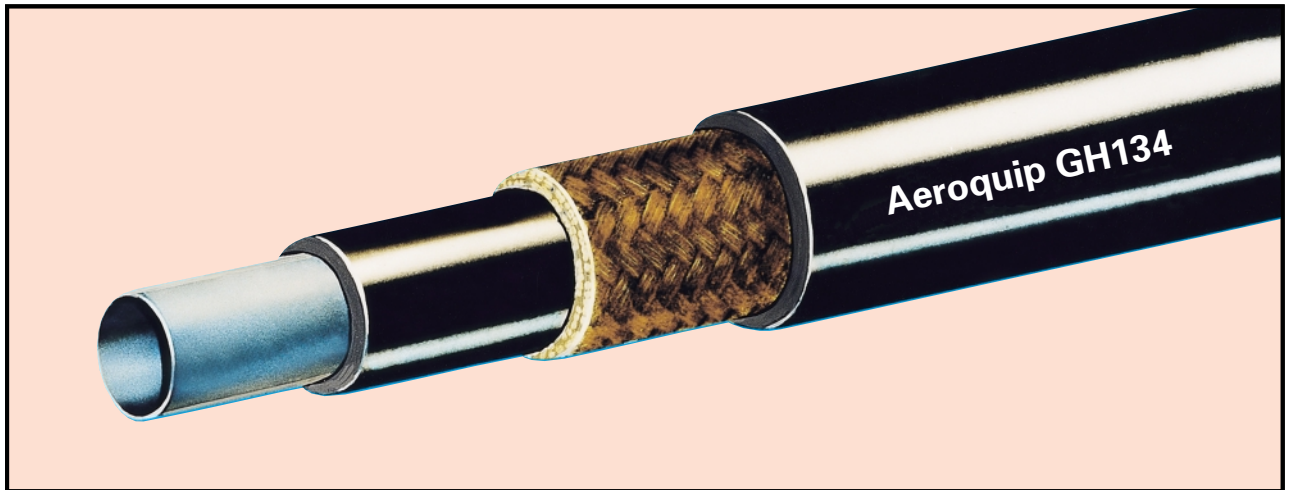
- Internal polyamide veneer
- Synthetic-rubber backing layer
- Stabilized, synthetic braided reinforcement
- Chlorobutyl rubber cover
- Roll-formed crimp fittings
- E-Z Clip Fitting System

### Benefits:

- Excellent effusion resistance
- Maximum resistance to moisture ingress
- Extended service performance
- Superior flexibility
- Assured coupling integrity, exceeds SAE J2064 performance

# Aeroquip GH134

## Multi-Refrigerant Hose



### Specifications and Performance:

(meets or exceeds SAE J2064 Type E Class 1)

Part Number	Hose I.D. (mm/in)	Hose O.D. (mm/in)	Minimum Bend Radius (mm/in)
<b>GH134-6</b>	7.9/.31	14.7/.58	50.0/2.0
<b>GH134-8</b>	10.3/.41	17.8/.70	63.5/2.5
<b>GH134-10</b>	12.7/.50	19.8/.78	76.2/3.0
<b>GH134-12</b>	15.9/.62	24.9/.98	101.6/4.0

#### Maximum Operating Pressure (Bar/PSI)

- 35/500

#### Minimum Burst Pressure (Bar/PSI)

- 175/2500

#### Temperature Range

- -40°F to +275°F
- -40°C to +135°C

#### R404a Effusion

- .2 lbs./ft<sup>2</sup>/yr. at 140°F
- .8 kg./m<sup>2</sup>/yr. at 60°C

#### HFC 134a Effusion

- .50 lbs./ft<sup>2</sup>/yr. at 176°F
- 2.42 kg./m<sup>2</sup>/yr. at 80°C

#### R22 Effusion

- 27.7 lbs./ft<sup>2</sup>/yr. at 158°F
- 135 kg./m<sup>2</sup>/yr. at 70°C

#### Moisture Ingression

- .08 gm./in.<sup>2</sup>/yr.
- .013/cm<sup>2</sup>/yr.

#### Fittings

- Request Aeroquip bulletin JA466



**Eaton**  
 14615 Lone Oak Rd.  
 Eden Prairie, MN 55344-2287  
 952/937-9800, Fax: 952/974-7722  
[www.aeroquip.com](http://www.aeroquip.com)



*Specifications subject to change without notice*