

Simply the Best



EATON

Powering Business Worldwide

Table of Contents

Part Numbers Listing	3
How to Use This Catalog	4
E-Z Clip System™	
Tool Kit	5
GH134 Multi-Refridgerant Hose	6
O-Rings	7
End Connections	8
Fittings (see chart on next page for specific part numbers)	9
Cages and Clips	34
Assembly Tools	38
Aluminum Lifesaver	35
Components: Ordering and Identifying	39
Application Data	40



E-Z Clip System™ Fittings and other Components

Part #	Description	Page	Part #	Description	Page
1F20340	90° to STC.....	32	FJ3288	90° Female O-ring, Long Pilot.....	10
1F40104	Clip Hose/Cage Connections.....	34	FJ3289	90° Female O-ring w/Switch Port.....	14
1F40105	Cages.....	34	FJ3301	Female O-ring, R134a Port, Metric Thread.....	22
ZW74706	Neoprene O-ring.....	8	FJ3319	90°ORS, Female Swivel.....	21
EJ3111	Female O-ring,.....	9	FJ3363	Straight Female O-ring, w/R134a Port & Switch.....	12
EJ3158	Tee-Style Fitting w/Male O-ring Connection.....	23	FJ3365	45° Female O-ring w/R134a & Switch Port.....	12
EJ3297	90° Female O-ring and Switch Port.....	15	FJ3366	90° Female w/R134a Port & Switch Port.....	19
EJ3298	90° Female O-ring, R134a and Switch Port.....	14	FJ3408	Female O-ring, Metric Thread (Long Pilot).....	9
EJ3299	Straight Female O-ring with Switch Port.....	11	FJ3409	90° Female O-ring, Metric Thread.....	21
EJ3302	90° Female O-ring w/R134a Port.....	13	FJ3416	Straight Female O-ring w/Switch Port.....	11
EJ3321	Short Drop, 90° Female Rotalok.....	24	FJ3427	Splicer w/Switch Port.....	28
EJ3809	Compression Fitting.....	32	FJ3428	Splicer w/Switch Port.....	28
EJ3410	45° Female O-ring w/R134a Port.....	13	FJ3444	90° Female O-ring w/Switch Port.....	15
EJ3421	45° Female Rotalok.....	24	FJ3460	90° Female O-ring w/Switch Port.....	15
EJ3422	45° Female Rotalok.....	24	FJ3461	Straight Female O-ring w/Switch Port.....	11
EJ3533	90° Female JIC 37° Flare.....	20	FJ3495	GM Tie-In.....	23
EJ3534	45° Female JIC 37° Flare.....	18	FJ3496	90° Pilot Connection.....	27
EJ3543	45° Female O-ring w/R134a Port.....	13	FJ3510	90° Female Rotalok w/R134a Port.....	25
FF12262	Lifesaver Braze on Hose Nipple.....	34	FJ3511	90° Female Rotalok w/R134a Port.....	25
FF13727	Lifesaver - Aluminum.....	35	FJ3513	Straight Bulkhead.....	26
FF90178	HNBR O-ring.....	8	FJ3514	90° Male Bulkhead.....	26
FJ3012	90° Female O-ring w/R134a Port.....	13	FJ3568	90° GM Block.....	26
FJ3013	90° Female O-ring w/R134a Port.....	13	FJ3611	90° Male MIO w/R134a Port.....	17
FJ3019	90° Male O-ring.....	16	FJ3623	180° Female O-ring Pilot.....	29
FJ3026	Male MIO, Straight.....	17	FJ3624	180° Splicer/Mendor.....	29
FJ3045	Straight Splicer/Mender.....	26	FJ3632	Straight Female, O-ring, Long Pilot.....	9
FJ3047	90° Female O-ring w/Switch Port.....	14	FJ3731	Straight Female 37° Flare.....	18
FJ3052	Male O-ring, Straight.....	15	FJ3734	Female O-ring, Compound Tube.....	30
FJ3053	Straight Female O-ring, w/R134a Port.....	10	FJ3801	Female O-ring, Compound Tube.....	30
FJ3054	Straight Female O-ring, w/R134a Port.....	10	FJ3804	180° Male O-ring.....	29
FJ3055	45° Elbow, Female O-ring, Short Pilot.....	9	FJ3890	Str. Female O-ring, R134a Port, Metric Thd.....	22
FJ3056	Straight Male MIO.....	18	FJ3891	Str. Female O-ring, R134a Port, Metric Thd.....	22
FJ3057	SAE 45° Female Flare.....	18	FJ3892	90° Female O-ring, R134a Port, Metric Thd.....	22
FJ3058	90° Splicer/Mender.....	27	FJ3914	90° 5400 Coupling Thread.....	29
FJ3059	SAE 45° Female 45° Elbow.....	19	FJ3970	Straight 5400 Coupling Thread.....	30
FJ3066	" T " Splicer - 3-Hose Connector.....	28	FJ3977	Pad-Style Connection.....	30
FJ3067	GM Tie In Metric Tee.....	23	FJ3978	Straight Pad-Style Connection w/R134a.....	31
FJ3111	90° Female O-ring, Metric Thread.....	21	FJ3979	60° Elbow Pad-Style Connection w/R134a.....	32
FJ3112	90° Female O-ring, w/R134a, Metric Thread.....	22	FJ3980	180° Pad-Style Connection.....	31
FJ3113	90° Male O-ring, Metric Thread.....	23	FJ3981	90° Elbow Pad-Style Connection w/R134a.....	32
FJ3116	45° Male O-ring, Short Pilot.....	16	FJ3982	90° Pad-Style Connection.....	31
FJ3131	Straight Male O-ring, w/R134a Port.....	16	FJ3983	90° Pad-Style Connection.....	31
FJ3132	Straight Male O-ring, w/R134a Port.....	16	FJ5984	Straight Female O-ring.....	9
FJ3133	90° Female SAE 45° Flare w/R134a Port.....	19	FJ5985	90° Female O-ring, 90°.....	10
FJ3134	90° Male O-ring, w/R134a Port.....	17	FJ5986	Splicer w/R134a Port.....	28
FJ3135	90° Male O-ring, w/R134a Port.....	17	FJ5994	90° ORS Female Swivel.....	20
FJ3136	Straight Male O-ring, Metric Thread.....	21	FJ5995	Splicer w/R134a Port.....	27
FJ3149	90° Female SAE 45° Universal Flare.....	19	FT1357	Connecting Tool.....	36
FJ3161	45° ORS Female Swivel.....	20	FT1421	Connecting Tool #16.....	36
FJ3162	Straight Female O-ring, w/Switch Port.....	11	GA23854	45° Female O-ring.....	33
FJ3163	90° Female O-ring, w/Switch Port.....	14	GA23911	Straight ORS Female Swivel.....	20
FJ3171	Splicer with Switch Port.....	27	GA23912	45° ORS Female Swivel.....	20
FJ3192	45° Female O-ring, Metric Thread.....	21	GA23913	90° ORS Female Swivel.....	20
FJ3225	90° Female Rotalok.....	24	GA24335	Straight Bock Compressor Fitting.....	33
FJ3226	90° Female Rotalok w/Switch Port.....	25	GA24336	45° Bock Compressor Fitting.....	33
FJ3230	45° Female O-ring w/Switch Port.....	12	GA24337	90° Bock Compressor Fitting.....	33
FJ3274	Straight Female Rotalok.....	23	GH134W	Multi-Refrigerant Hose.....	6

How to Use This Catalog

Accurate processing and prompt delivery of your order depends on easy identification of your requirements. Please order Weatherhead parts using correct part numbers as described in this catalog. Inquiries and orders should be directed to your Weatherhead Distributor or:

Eaton
14615 Lone Oak Road
Eden Prairie, MN 55344
USA
Tel: 952 937-9800
Fax: 952 974-7722
www.eaton.com/hydraulics

Part Numbers and Dash Sizes

The first two numbers of the dash size of each part number, (example: -0608) indicates the size of the terminal, or connecting end. The second two numbers of the dash sizes (example: -0608) indicates the hose size. In the example -0608, 08 is the hose size.

Dimensions

Dimensions given in this catalog for Weatherhead products are approximate and should be used for reference only. Exact dimensional information for a given product is subject to change and varying tolerances; contact Eaton directly for full current information.

Reeled Hose

GH134 hose is available on reels. Maximum number of lengths per reel is three (3). The approximate lengths per reel are shown below:

Part Number	Avg # Ft/Reel	Max # Pieces/Reel
GH134-6WRL	560	5
GH134-8WRL	575	5
GH134-10WRL	550	5
GH134-12WRL	367	5

Boxed Hose

Part Number	ft/box	Max # Pieces/box
GH134-6WR50	50	1
GH134-6WR200	200	3
GH134-8WR50	50	1
GH134-8WR200	200	3
GH134-10WR50	50	1
GH134-10WR200	200	3
GH134-12WR50	50	1
GH134-12WR200	200	3
GH134-16WR50	50	1
GH134-16WR250	250	3

General Information

Flexible hose lines offer many advantages over rigid tubing including routing ease, vibration absorption, sound deadening and the ability to accommodate movement of connected components. However, hose lines require caution in use – not only to provide long service – but also to guard against potentially dangerous failure.

Important

Special care should be taken when selecting the proper refrigerant hose and fittings. The information contained in this bulletin is provided as a general guide to assist in making the appropriate product selection. This guide does not address every parameter that must be considered when selecting a product. The user must make the final product selection in consideration of the user's unique requirements.

Additionally, special care must be taken when working with refrigerant systems. Sudden escape of refrigerant gases may result in blindness or severe injury. Eaton recommends adherence to the guidelines and general practices as defined in SAE J2211 for the service and containment of HFC-134a,

as well as all applicable EPA guidelines and procedures concerning the service of refrigerant systems.



Warning

Weatherhead fitting tolerances are engineered to match Weatherhead hose tolerances. The use of Weatherhead fittings on hose supplied by other manufacturers and/or the use of Weatherhead hose with fittings supplied by other manufacturers may result in the production of unreliable and unsafe hose assemblies and is not authorized by Eaton.

EATON SHALL NOT BE SUBJECT TO AND DISCLAIMS ANY OBLIGATIONS OR LIABILITIES (INCLUDING BUT NOT LIMITED TO ALL CONSEQUENTIAL,

INCIDENTAL AND CONTINGENT DAMAGES) ARISING OUT OF BREACH OF CONTRACT OR OF WARRANTY OR ARISING FROM TORT CLAIMS (INCLUDING WITHOUT LIMITATION NEGLIGENCE AND STRICT LIABILITY) OR OTHER THEORIES OF LAW WITH RESPECT TO ANY HOSE ASSEMBLIES NOT PRODUCED FROM GENUINE WEATHERHEAD HOSE FITTINGS, HOSE AND WEATHERHEAD APPROVED EQUIPMENT, AND IN CONFORMANCE WITH WEATHERHEAD PROCESS AND PRODUCT INSTRUCTIONS FOR EACH SPECIFIC HOSE ASSEMBLY.

E-Z Clip System™ - Tool Case

Part # FF12139

NOTE: The E-Z Clip System has been designed to work exclusively with Weatherhead GH134W Hose.



Kit Contents Components Part Number	Description	Qty/Per Kit
1F40104-size	Clips	20 each size
1F40105-size	Cages	20 each size
FT1357	Assy. Tool	1
T-135	Hose Cutter	1
T-135B	Replacement Blade	1

E-Z Clip System™ - GH134 Multi-Refrigerant Hose

SAE J2064 Type E Class 1



Part Number	Hose I.D. mm/in	Hose O.D. mm/in	Maximum Operating Pressure bar/psi	E-Z Clip Burst Pressure bar/psi	Minimum Bend Radius mm/in	Minimum Weight Per Foot lbs/Kgm
GH134-6W	7.9/.31	14.7/.58	35/500	140/2000	50.0/2.00	.09/.05
GH134-8W	10.3/.41	17.8/.70	35/500	140/2000	63.0/2.50	.12/.06
GH134-10W	12.7/.50	19.8/.78	35/500	140/2000	76.2/3.00	.15/.07
GH134-12W	15.9/.63	24.9/.98	35/500	140/2000	101.6/4.00	.18/.08
GH134-16W	22.4/.88	31.2/1.23	35/500	140/2000	127.0/7.00	.22/.10

Application:

Transportation, refrigeration and air conditioning systems.

Operating Temperature Range:

-40°F to +275°F
(-40°C to +135°C).

R404a Effusion:

.2 lbs./ft²/yr. at 140°F
(.8 kg./m²/yr. at 60°C)

HFC 134a Effusion:

.50 lbs./ft²/yr. at 176°F
(2.42 kg./m²/yr. at 80°C)

R407C Effusion:

20 kg./m²/yr. at 80°C

Moisture Ingression: .08
gm./in²/yr. (.013/cm²/yr)

Features

- Internal polyamide veneer tube
- Synthetic-rubber backing layer
- Stabilized, synthetic braided reinforcement
- Chlorobutyl rubber cover
- E-Z Clip fittings

Benefits

- Excellent effusion resistance
- Maximum resistance to moisture ingress
- Extended service performance
- Superior flexibility
- Assured coupling integrity, exceeds SAE J2064 performance



Warning

E-Z Clip has been designed and engineered to work EXCLUSIVELY with Weatherhead GH134 hose.

For information regarding other refrigerants and lubricants, please contact Eaton customer service at 952-937-9800.

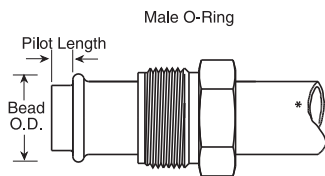
E-Z Clip System™ - End Connections & O-rings

How to Identify O-ring Pilot Thread Sizes

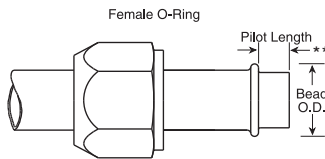
This connection is common to air conditioning systems, both in vehicle and commercial applications. Both the male and female halves of the connections have a pilot, either long or short. The seal

takes place by compressing an O-ring adjacent to the bead of the tube. The threads hold the connection together mechanically.

Label Set: FF90646



Inch Size	Dash Size	Male Thread O.D. (in)			Female Thread I.D. (in)		
		Nominal Thread	Fraction	Decimal	Nominal Thread	Fraction	Decimal
3/8	06	5/8 - 18	5/8	.62	5/8 - 18	9/16	.57
1/2	08	3/4 - 18	3/4	.75	3/4 - 16	11/16	.69
5/8	10	7/8 - 18	7/8	.87	7/8 - 14	13/16	.81
3/4	12	1-1/16 -16	1-1/16	1.06	1-1/16 -16	1-1/16	.99



Inch Size	Nominal Tube Size	Long Pilot**		Short Pilot*	
		O.D. (in)	Bead Pilot Length	O.D. (in)	Bead Pilot Length
3/8	06	.52	.28	.52	.19
1/2	08	.64	.39	.64	.19
5/8	10	.77	.39	.77	.19
3/4	12	.91	.39	.91	.19

Refrigerant Compatibility Chart

Refrigerant	Hose Style GH134W
R-12	Y
R-22	Y
R-134a	Y
R-502	Y
MP39	Y
MP66	Y
R404a	Y

Lubricant Compatibility Chart

Lubricant	Hose Style GH134W
Mineral Oil	Y
PAG	Y
Ester Oil	Y
Alkylbenzene	*

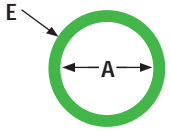
Y = Compatible N = Non-compatible
* Contact product support for application review

Tubing Identification

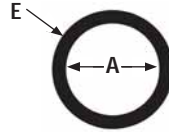
Size	Tubing Style	Wall Thickness
-6	SAE J526	0.035
-0608	SAE J526	0.035
-8	SAE J526	0.035
-0810	SAE J526	0.035
-10	SAE J525	0.049
-1012	SAE J525	0.049
-12	SAE J525	0.049
-16	SAE J525	0.0625

E-Z Clip System™ - End Connections & O-rings

O-Rings for Bump Tube O-Ring Seal and O-Ring Pilot Fittings



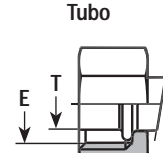
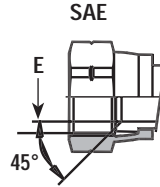
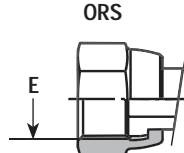
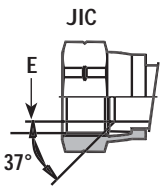
FF90178
 Material: HNBR
 Durometer: 70
 Temperature Range: -25°F to +300°F
 Color: Green



ZW74706
 Material: Neoprene
 Durometer: 70
 Temperature Range: -40°F to +250°F
 Color - Black

O-ring Part Number	O-ring Pilot Dash Size	A	E
FF90178-11	-06	.301	.0625
FF90178-13	-08	.426	.0625
FF90178-15	-10	.551	.0625
FF90178-17	-12	.676	.0625

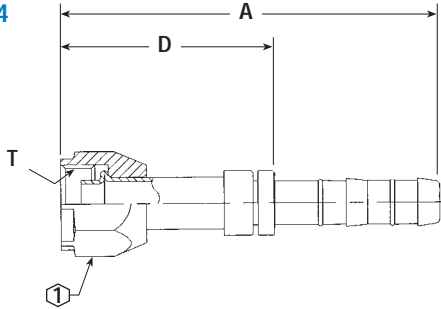
O-ring Part Number	O-ring Pilot Dash Size	A	E
ZW74706	-06	.301	.07
ZW74708	-08	.426	.07
ZW74710	-10	.551	.07
ZW74712	-12	.676	.07



Size	JIC Thread	ORS Thread	ØE	SAE Thread	ØE	Tubo Thread	ØE	ØT
-4	7/16-20	9/16-18	12,9	7/16-20	—	—	—	—
-6	9/16-18	11/16-16	15,9	5/8-18	14,5	5/8-18	14,5	8,4
-8	3/4-18	13/16-16	19,1	3/4-16	17,5	3/4-16	17,5	11,6
-10	7/8-14	1-14	23,6	7/8-14	20,5	7/8-14	20,5	14,4
-12	1-1/16-12	1-3/16-12	28,1	1-1/16-14	25,2	1-1/16-14	25,2	17,5
-16	1-5/16-12	1-7/16-12	34,5	—	—	—	—	—
-20	—	1-11/16-12	40,7	—	—	—	—	—
-24	—	—	—	—	—	—	—	—

E-Z Clip System™ - Hose Ends

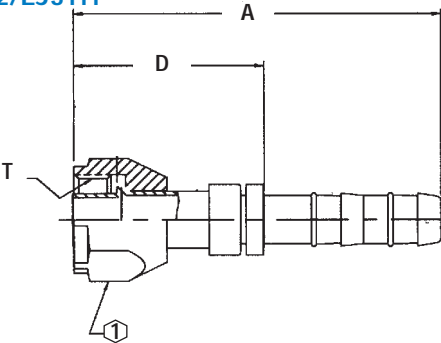
FJ5984



Straight - Female O-ring (Short Pilot)

Part Number	TH'D "T"	Hose Size	A Ref	D Ref	F Ref	H Ref	Ⓛ Ref
FJ5984-0606S	5/8-18	6	3.14	1.62	—	—	0.75
FJ5984-0608S	5/8-18	8	3.16	1.62	—	—	0.75
FJ5984-0808S	3/4-16	8	3.56	2.02	—	—	0.88
FJ5984-0810S	3/4-16	10	3.57	2.02	—	—	0.88
FJ5984-1008S	7/8-14	8	3.62	2.08	—	—	0.88
FJ5984-1010S	7/8-14	10	3.63	2.08	—	—	1.06
FJ5984-1012S	7/8-14	12	3.66	2.08	—	—	1.06
FJ5984-1210S	1-1/16-14	10	4.25	2.62	—	—	1.25
FJ5984-1212S	1-1/16-14	12	4.25	2.67	—	—	1.25
FJ5984-1016S	7/8-14	16	3.76	2.08	—	—	1.06
FJ5984-1216S	1-1/16-14	16	4.35	2.67	—	—	1.25

FJ3632/EJ3111

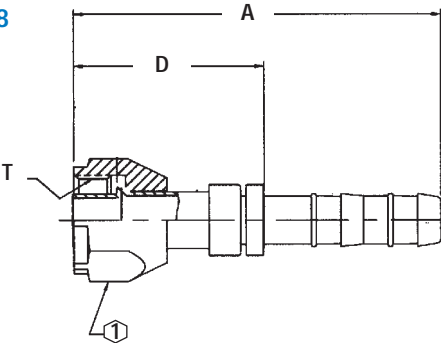


Straight - Female O-ring, (Long Pilot)

Part Number	TH'D "T"	Hose Size	A Ref	D Ref	F Ref	H Ref	Ⓛ Ref
FJ3632-0806S	3/4-16	6	2.91	1.36	—	—	0.88
EJ3111-1216S	1-1/16-14	16	4.35	2.67	—	—	1.25
EJ3111-1016S*	7/8-14	16	3.76	2.08	—	—	1.06

* MTO (made to order)

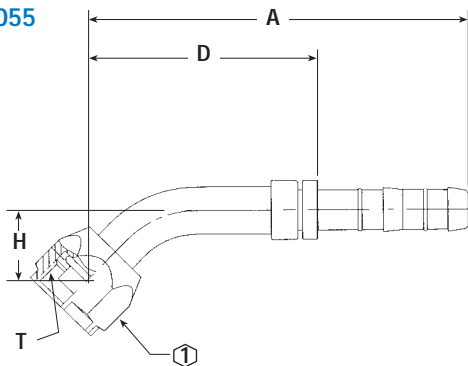
FJ3408



Straight - Female O-ring, Metric Thread (Long Pilot)

Part Number	TH'D "T"	Hose Size	A Ref	D Ref	F Ref	H Ref	Ⓛ Ref
FJ3408-0808S	M20 x 1.5	8	3.20	1.66	—	—	0.94
FJ3408-0810S	M20 x 1.5	10	3.21	1.66	—	—	0.94
FJ3408-1212S	M27 x 2	12	4.25	2.67	—	—	1.25

FJ3055

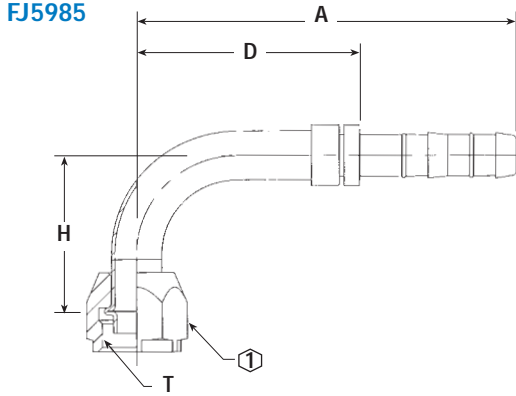


45° Elbow Female O-ring (Short Pilot)

Part Number	TH'D "T"	Hose Size	A Ref	D Ref	F Ref	H Ref	Ⓛ Ref
FJ3055-01-0606S	5/8-18	6	3.60	2.08	—	0.67	0.75
FJ3055-02-0608S	5/8-18	8	3.62	2.08	—	0.67	0.75
FJ3055-03-0808S	3/4-16	8	3.94	2.40	—	0.73	0.88
FJ3055-04-0810S	3/4-16	10	3.95	2.40	—	0.73	0.88
FJ3055-05-1010S	7/8-14	10	4.37	2.81	—	1.19	1.06
FJ3055-06-1012S	7/8-14	12	4.46	2.88	—	1.25	1.06
FJ3055-07-1212S	1-1/16-14	12	5.33	3.75	—	1.47	1.25
FJ3055-09-1216S*	1-1/16-14	16	5.43	3.15	—	1.47	1.25
FJ3055-08-1016S	7/8-14	16	4.56	2.66	—	1.25	1.06

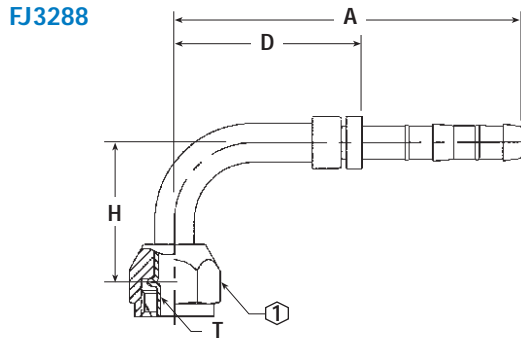
* MTO (made to order)

E-Z Clip System™ - Hose Ends



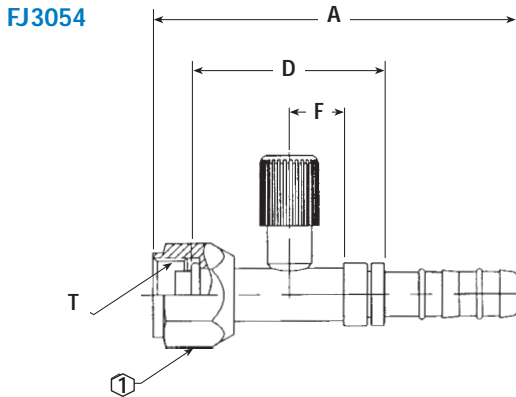
90° Elbow – Female O-ring (Short Pilot)

Part Number	TH'D "T"	Hose Size	A Ref	D Ref	F Ref	H Ref	⊕ Ref
FJ5985-0606S	5/8-18	6	3.32	1.79	—	1.38	0.75
FJ5985-0608S	5/8-18	8	3.33	1.79	—	1.38	0.75
FJ5985-0806S	3/4-16	6	3.86	2.33	—	1.62	0.88
FJ5985-0808S	3/4-16	8	3.77	2.23	—	1.62	0.88
FJ5985-0810S	3/4-16	10	3.78	2.23	—	1.62	0.88
FJ5985-1010S	7/8-14	10	4.22	2.67	—	1.89	1.06
FJ5985-1012S	7/8-14	12	4.24	2.67	—	1.89	1.06
FJ5985-1210S	1-1/16-14	10	4.76	3.31	—	2.56	1.25
FJ5985-1212S	1-1/16-14	12	4.74	3.16	—	2.56	1.25
FJ5985-1216S	1-1/16-14	16	4.84	3.16	—	2.56	1.25



90° Female O-ring (Long Pilot)

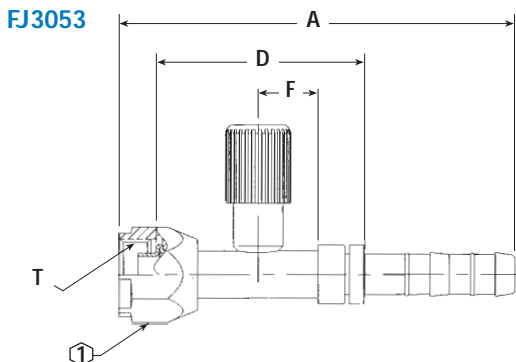
Part Number	TH'D "T"	Hose Size	A Ref	D Ref	F Ref	H Ref	⊕ Ref
FJ3288-01-0606S	5/8-18	6	3.32	1.79	—	1.38	0.75
FJ3288-02-0808S	3/4-16	8	3.77	2.23	—	1.62	0.88
FJ3288-03-0806S	3/4-16	6	3.75	2.33	—	1.62	0.88
FJ3288-04-0810S	3/4-16	10	3.78	2.23	—	1.62	0.88
FJ3288-06-1216S	1-1/16-14	16	4.84	3.16	—	2.56	1.25
FJ3288-05-1016S	7/8-14	16	4.40	2.72	—	1.89	1.06
FJ3288-07-1012S	7/8-14	12	4.24	2.67	—	1.89	1.06
FJ3288-08-1212S	1-1/16-14	12	4.74	3.16	—	2.56	1.25
FJ3288-11-1010S	7/8-14	16	4.22	2.67	—	1.89	1.06



Straight – Female O-ring (Short Pilot) with R134a Low Side Port

Part Number	TH'D "T"	Hose Size	A Ref	D Ref	F Ref	H Ref	⊕ Ref
FJ3054-1010S	7/8-14	10	4.24	2.25	0.63	—	1.06
FJ3054-1012S	7/8-14	12	4.27	2.25	0.63	—	1.06
FJ3054-1212S	1-1/16-14	12	4.58	2.43	0.54	—	1.25
FJ3054-1216S*	1-1/16-14	16	4.68	2.43	0.54	—	1.25

* MTO (made to order)

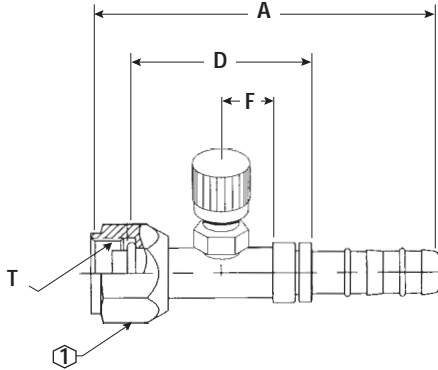


Straight – Female O-ring (Short Pilot) with R134a High Side Port

Part Number	TH'D "T"	Hose Size	A Ref	D Ref	F Ref	H Ref	⊕ Ref
FJ3053-0606S	5/8-18	6	3.91	2.10	0.63	—	0.75
FJ3053-0806S	3/4-16	6	4.06	2.26	0.63	—	0.88
FJ3053-0808S	3/4-16	8	4.09	2.16	0.63	—	0.88
FJ3053-0810S	3/4-16	10	4.09	2.16	0.63	—	0.88

E-Z Clip System™ - Hose Ends

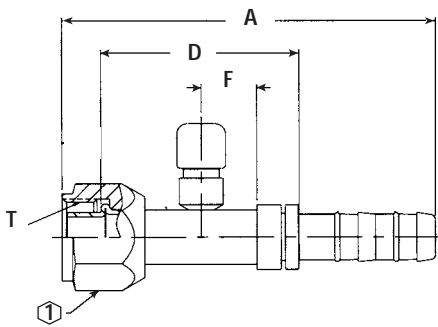
FJ3162



Straight - Female O-ring (Long Pilot) with Switch Port (7/16-20 thd)

Part Number	TH'D "T"	Hose Size	A Ref	D Ref	F Ref	H Ref	① Ref
FJ3162-0808S	3/4-16	8	4.09	2.16	0.79	—	0.88
FJ3162-1010S	7/8-14	10	4.25	2.25	0.79	—	1.06
FJ3162-1012S	7/8-14	12	4.27	2.25	0.79	—	1.06
FJ3162-1212S	1-1/16-14	12	4.86	2.71	0.79	—	1.25
FJ3162-1016S	7/8-14	16	4.42	2.30	0.79	—	1.06

FJ3416

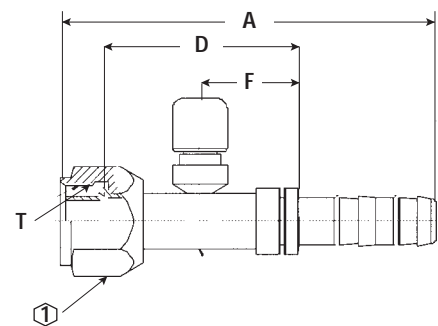


Straight - Female O-ring (Long Pilot) with Switch Port (M10 X 1.25)

Part Number	TH'D "T"	Hose Size	A Ref	D Ref	F Ref	H Ref	① Ref
FJ3416-01-1010S	7/8-14	10	4.25	2.25	.63	—	1.06
FJ3416-02-0808S*	7/8-14	8	4.25	2.25	.63	—	1.06

* MTO (made to order)

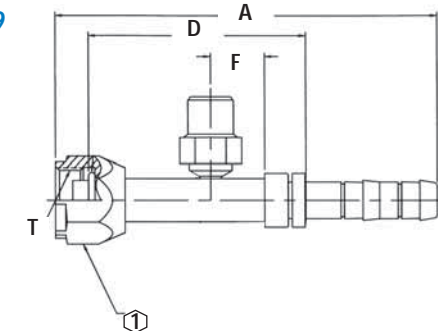
FJ3461



Straight - Female O-ring (Long Pilot) with Switch Port (M12 X 1.25)

Part Number	TH'D "T"	Hose Size	A Ref	D Ref	F Ref	H Ref	① Ref
FJ3461-01-1010S	7/8-14	10	4.25	2.25	.63	—	1.06
FJ3461-02-1012S	7/8-14	12	4.27	2.25	.63	—	1.06
FJ3461-03-1212S	1-1/16-14	12	4.86	2.71	.54	—	1.25

EJ3299



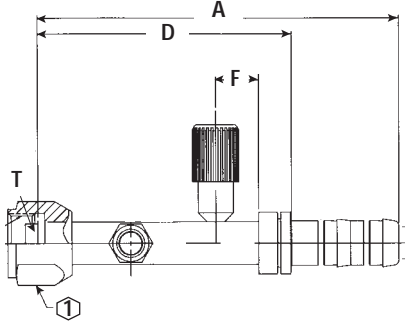
Straight - Female O-ring (Short Pilot) with Switch Port (M12 X 1.25)

Part Number	TH'D "T"	Hose Size	A Ref	D Ref	F Ref	H Ref	① Ref
EJ3299-01-0808S	3/4-16	8	4.46	2.53	.63	—	.88

* MTO (made to order)

E-Z Clip System™ - Hose Ends

FJ3363

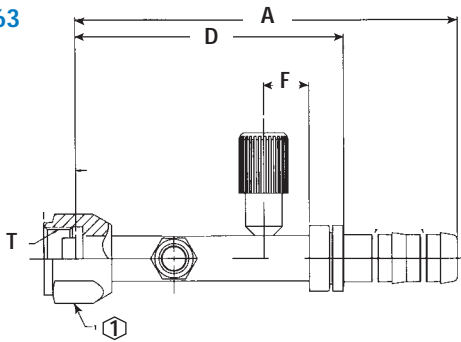


Straight - Female O-ring (Short Pilot), with R134a High Side Port and Female Switch Connection, (1/8-27 Thread)

Part Number	TH'D "T"	Hose Size	A Ref	D Ref	F Ref	H Ref	⊕ Ref
FJ3363-03-0808S*	3/4-16	8	5.16	3.62	.63	—	.88
FJ3363-02-0810S*	3/4-16	10	5.54	3.62	.63	—	.88

* MTO (made to order)

FJ3363

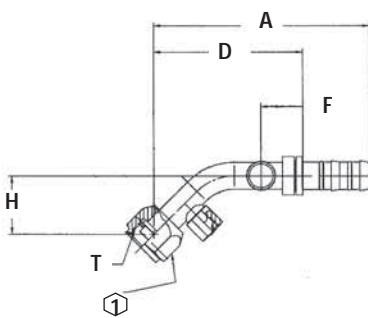


Straight - Female O-ring (Short Pilot), with R134a Low Side Port and Female Switch Connection, (1/8-27 Thread)

Part Number	TH'D "T"	Hose Size	A Ref	D Ref	F Ref	H Ref	⊕ Ref
FJ3363-01-1012S	7/8-14	12	5.30	3.72	.63	—	1.06

* MTO (made to order)

FJ3365

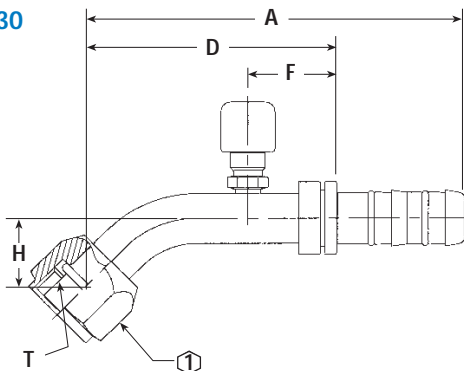


45° Female O-ring (Short Pilot) with R134a Low Side Port and Switch Port

Part Number	TH'D "T"	Hose Size	A Ref	D Ref	F Ref	H Ref	⊕ Ref
FJ3365-01-1012S*	7/8-14	12	5.09	3.51	0.50	1.43	1.13

* MTO (made to order)

FJ3230

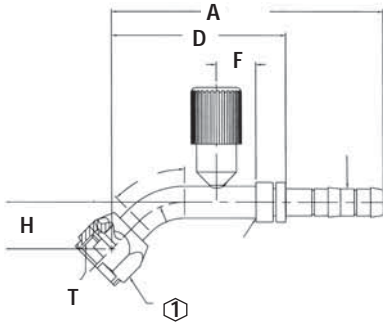


45° Female O-ring (Long Pilot) with Switch Port (7/16-20 thd)

Part Number	TH'D "T"	Hose Size	A Ref	D Ref	F Ref	H Ref	⊕ Ref
FJ3230-01-0810S	3/4-16	10	4.61	2.58	0.63	0.80	0.88
FJ3230-02-1012S	7/8-14	12	4.73	2.67	0.63	0.89	1.06
FJ3230-03-0808S	3/4-16	8	4.43	2.40	0.63	0.73	0.88
FJ3230-04-1010S	7/8-14	10	5.00	2.97	0.63	1.19	1.06
FJ3230-05-1016S	7/8-14	16	4.88	2.67	0.63	0.89	1.06

E-Z Clip System™ - Hose Ends

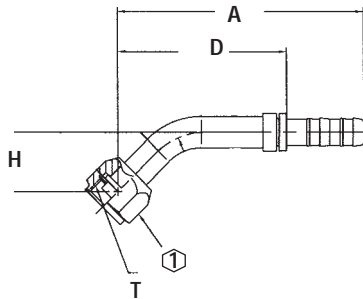
EJ3410



45° Female O-ring (Short Pilot) with R134a High Side Port

Part Number	TH'D " T"	Hose Size	A Ref	D Ref	F Ref	H Ref	Ⓛ Ref
EJ3410-0808S	3/4-16	8	4.3	2.76	0.62	0.73	0.88

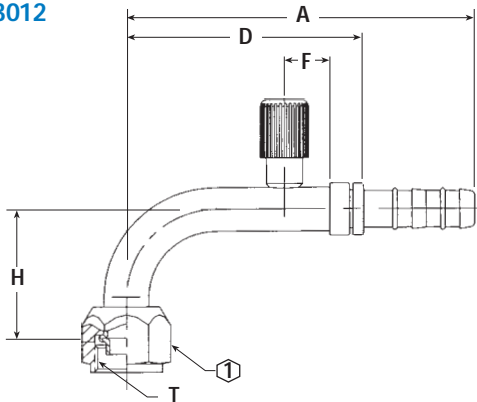
EJ3543



45° Female O-ring (Short Pilot) with R134a Low Side Port (Rotated 270°)

Part Number	TH'D " T"	Hose Size	A Ref	D Ref	F Ref	H Ref	Ⓛ Ref
EJ3543-1010S	7/8-14	10	4.99	3.44	0.52	1.19	1.06

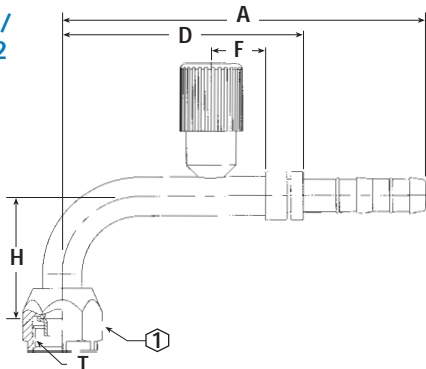
FJ3012



90° Female O-ring (Short Pilot) with R134a Low Side Port

Part Number	TH'D " T"	Hose Size	A Ref	D Ref	F Ref	H Ref	Ⓛ Ref
FJ3012-02-1010S	7/8-14	10	4.88	3.33	0.63	1.89	1.06
FJ3012-01-1012S	7/8-14	12	4.83	3.25	0.63	1.89	1.06
FJ3012-03-1212S	1-1/16-14	12	5.10	3.52	0.63	2.56	1.25

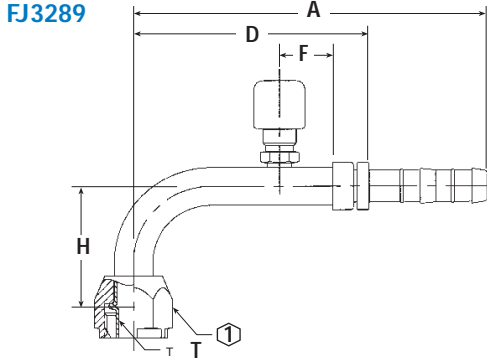
**FJ3013/
EJ3302**



90° Female O-ring (Short Pilot) with R134a High Side Port

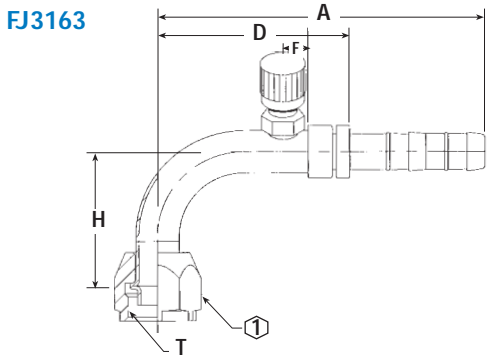
Part Number	TH'D " T"	Hose Size	A Ref	D Ref	F Ref	H Ref	Ⓛ Ref
FJ3013-02-0606S	5/8-18	6	4.35	2.82	0.63	1.38	0.75
FJ3013-03-0808S	3/4-16	8	4.61	3.07	0.69	1.62	0.88
FJ3013-01-0810S	3/4-16	10	4.53	2.98	0.69	1.62	0.88
EJ3302-01-0608S	M18 x 1.5	8	4.36	2.82	0.94	1.38	0.88
EJ3302-01-0808S	M20 x 1.5	8	4.52	2.98	0.69	1.62	0.94

E-Z Clip System™ - Hose Ends



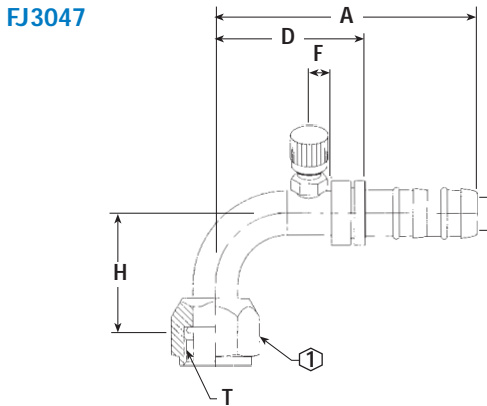
90° Female O-ring (Long Pilot) with Switch Port (7/16-20 thd)

Part Number	TH'D " T"	Hose Size	A Ref	D Ref	F Ref	H Ref	⊕ Ref
FJ3289-01-0808S	3/4-16	8	4.61	2.59	0.69	1.62	0.88
FJ3289-02-1010S	7/8-14	10	4.80	2.77	0.63	1.93	1.06
FJ3289-03-0606S	5/8-18	6	4.35	2.82	0.69	1.35	0.75
FJ3289-04-0810S	3/4-16	10	4.62	2.59	0.69	1.62	0.88
FJ3289-05-1012S	7/8-14	12	4.82	2.77	0.63	1.93	1.06



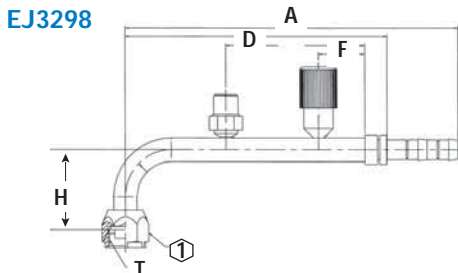
90° Elbow - Female O-ring (Short Pilot) with Switch Port (7/16-20 thd)

Part Number	TH'D " T"	Hose Size	A Ref	D Ref	F Ref	H Ref	⊕ Ref
FJ3163-01-1010S	7/8-14	10	4.80	3.25	0.79	1.89	1.06
FJ3163-02-1212S	1-1/16-14	12	5.08	3.50	0.79	2.56	1.25



90° Female O-ring (Long Pilot) with Charge Port (7/16-20Thd) - 45° Port Rotation

Part Number	TH'D " T"	Hose Size	A Ref	D Ref	F Ref	H Ref	⊕ Ref
FJ3047-1012S	7/8-14	12	4.06	2.48	0.50	1.69	1.06
FJ3047-1016S	7/8-14	16	4.21	2.53	0.50	1.69	1.06



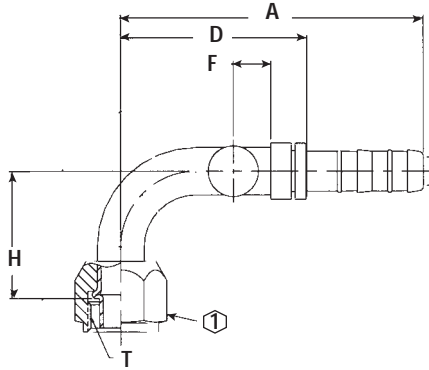
90° Female O-ring (Short Pilot) with R134a High Side Port and a Switch Port

Part Number	TH'D " T"	Hose Size	A Ref	D Ref	F Ref	H Ref	⊕ Ref
EJ3298-01-0808S	3/4-16	8	7.22	5.67	1	1.71	0.88

* MTO (made to order)

E-Z Clip System™ - Hose Ends

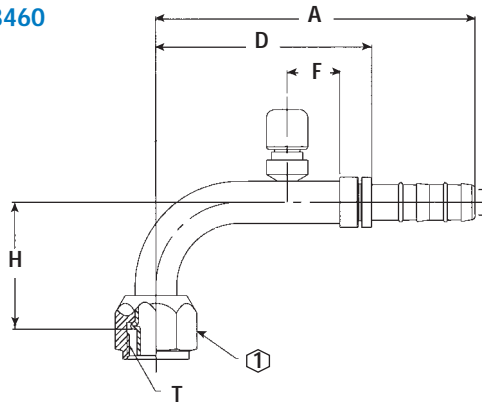
FJ3444



90° Female O-ring (long pilot) with Switch Port (7/16-20 thd) – 90° Port Rotation

Part Number	TH'D "T"	Hose Size	A Ref	D Ref	F Ref	H Ref	① Ref
FJ3444-1010S	7/8-14	10	4.03	2.48	.50	1.69	1.06

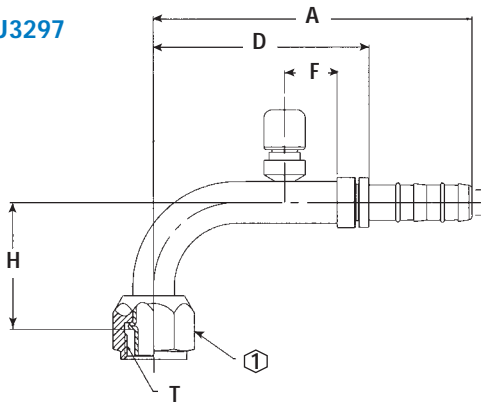
FJ3460



90° Female O-ring (Long Pilot) with Switch Port (M12 X 1.25)

Part Number	TH'D "T"	Hose Size	A Ref	D Ref	F Ref	H Ref	① Ref
FJ3460-01-1010S	7/8-14	10	4.80	3.25	0.79	1.89	1.06
FJ3460-02-1012S	7/8-14	12	4.83	3.25	0.79	1.89	1.06
FJ3460-03-1212S	1-1/16-14	12	5.08	3.50	.54	2.56	1.25

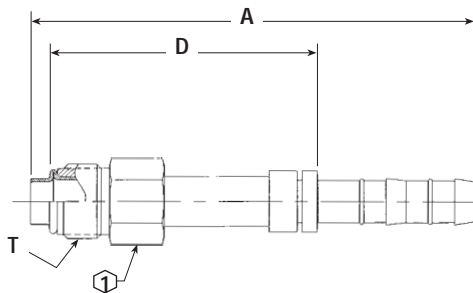
EJ3297



90° Female O-ring (Short Pilot) with Switch Port (M12 X 1.25)

Part Number	TH'D "T"	Hose Size	A Ref	D Ref	F Ref	H Ref	① Ref
EJ3297-01-0808S	3/4-16	8	4.16	2.62	0.87	1.68	0.88

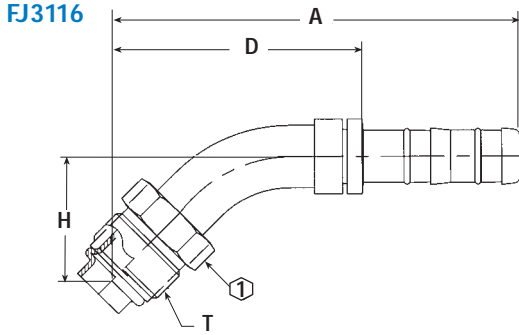
FJ3052



Straight Male O-ring (Short Pilot)

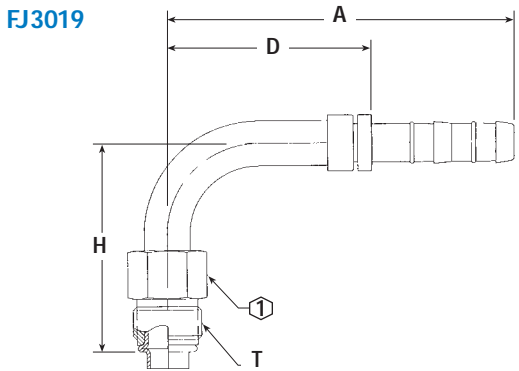
Part Number	TH'D "T"	Hose Size	A Ref	D Ref	F Ref	H Ref	① Ref
FJ3052-0606S	5/8-18	6	3.41	1.70	—	—	0.62
FJ3052-0608S	5/8-18	8	3.43	1.70	—	—	0.62
FJ3052-0808S	3/4-18	8	4.37	2.64	—	—	0.75
FJ3052-1010S	7/8-18	10	3.66	1.92	—	—	0.88
FJ3052-1012S	7/8-18	12	3.68	1.92	—	—	0.88
FJ3052-1212S	1-1/16-16	12	3.68	1.92	—	—	1.06
FJ3052-1016S	7/8-18	16	4.33	2.47	—	—	0.88
FJ3052-1216S	1 1/16 -16	16	4.28	2.42	—	—	1.06

E-Z Clip System™ - Hose Ends



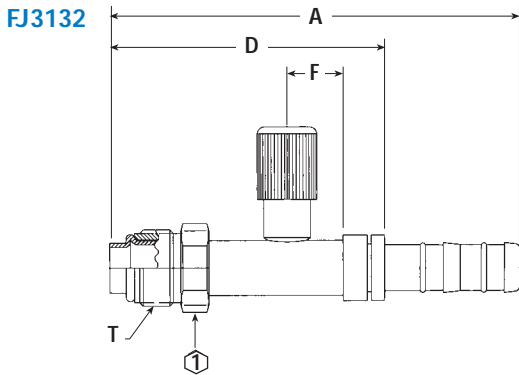
45° Male O-ring (Short Pilot)

Part Number	TH'D " T"	Hose Size	A Ref	D Ref	F Ref	H Ref	⊕ Ref
FJ3116-01-0606S	5/8-18	6	3.99	2.47	—	0.94	0.62
FJ3116-03-0808S	3/4-18	8	4.59	2.83	—	1.20	0.75
FJ3116-02-1010S	7/8-18	10	4.65	3.10	—	1.46	0.88
FJ3116-04-0608S	5/8-18	8	4.01	2.47	—	0.94	0.62
FJ3116-05-1012S	7/8-18	12	4.68	3.10	—	1.47	0.88
FJ3116-06-1212S	1 1/16-16	12	4.90	3.32	—	1.53	1.06



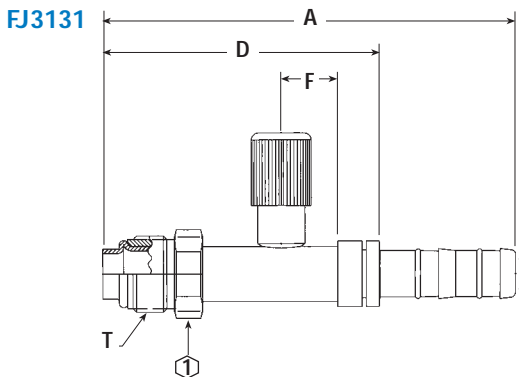
90° Male O-ring (Short Pilot)

Part Number	TH'D " T"	Hose Size	A Ref	D Ref	F Ref	H Ref	⊕ Ref
FJ3019-03-0606S	5/8-18	6	3.33	1.80	—	1.77	0.62
FJ3019-02-0608S	5/8-18	8	3.34	1.80	—	1.77	0.62
FJ3019-04-0808S	3/4-18	8	3.77	2.23	—	2.31	0.75
FJ3019-06-0810S	3/4-18	10	3.78	2.23	—	2.31	0.75
FJ3019-01-1012S	7/8-18	12	4.24	2.67	—	2.45	0.88
FJ3019-05-1212S	1-1/16-16	12	4.22	2.64	—	2.79	1.06
FJ3019-07-1010S	7/8-18	10	4.22	2.67	—	2.45	0.88
FJ3019-08-1210S	1-1/16-16	10	4.19	2.64	—	2.79	1.06



Straight Male O-ring (Short Pilot) with R134a Low Side Port

Part Number	TH'D " T"	Hose Size	A Ref	D Ref	F Ref	H Ref	⊕ Ref
FJ3132-01-1010S	7/8-18	10	4.43	2.70	0.63	—	0.88
FJ3132-02-1012S	7/8-18	12	4.46	2.70	0.63	—	0.88

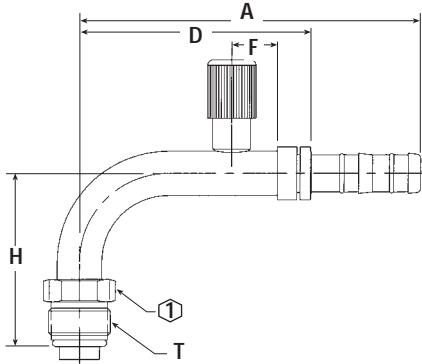


Straight Male O-ring (Short Pilot) with R134a High Side Port

Part Number	TH'D " T"	Hose Size	A Ref	D Ref	F Ref	H Ref	⊕ Ref
FJ3131-01-0606S	5/8-18	6	4.18	2.47	0.63	—	0.62
FJ3131-02-0808S	3/4-18	8	4.58	2.85	0.63	—	0.75
FJ3131-03-1010S	7/8-18	10	4.34	2.61	0.63	—	0.88

E-Z Clip System™ - Hose Ends

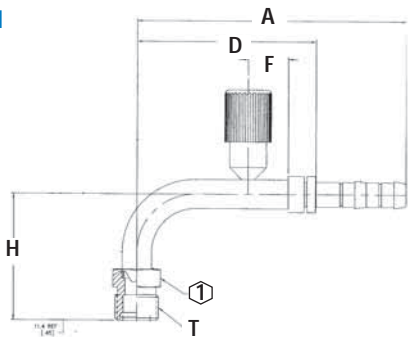
FJ3134



90° Elbow Male O-ring (Short Pilot) with R134a High Side Port

Part Number	TH'D "T"	Hose Size	A Ref	D Ref	F Ref	H Ref	① Ref
FJ3134-01-0606S	5/8-18	6	4.34	2.82	0.63	1.75	0.62
FJ3134-02-0808S	3/4-18	8	4.61	3.07	0.63	2.31	0.75
FJ3134-03-1010S	7/8-18	10	4.81	3.25	0.63	2.34	0.88

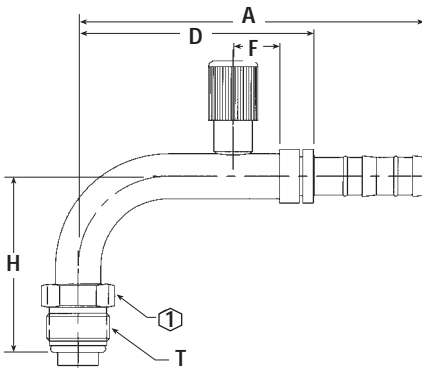
FJ3611



90° Elbow Male MIO with R134a High Side Port

Part Number	TH'D "T"	Hose Size	A Ref	D Ref	F Ref	H Ref	① Ref
FJ3611-01-0808S	3/4-16	8	4.61	3.07	0.69	2.17	0.813

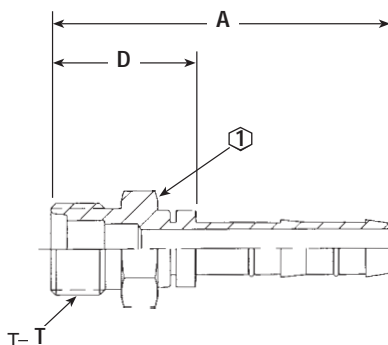
FJ3135



90° Elbow Male O-ring (Short Pilot) with R134a Low Side Port

Part Number	TH'D "T"	Hose Size	A Ref	D Ref	F Ref	H Ref	① Ref
FJ3135-01-1010S	7/8-18	10	4.81	3.25	0.63	2.34	0.88
FJ3135-02-1012S	7/8-18	12	4.81	3.25	0.63	2.34	0.88

FJ3026

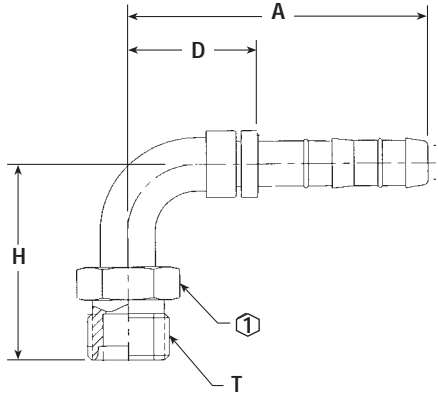


Male MIO (Male Insert O-ring) Straight

Part Number	TH'D "T"	Hose Size	A Ref	D Ref	F Ref	H Ref	① Ref
FJ3026-0606S	5/8-18	6	3.36	1.83	—	—	0.690
FJ3026-0808S	3/4-16	8	2.69	1.15	—	—	0.810
FJ3026-1010S	7/8-14	10	2.90	1.35	—	—	0.940
FJ3026-1012S	7/8-14	12	4.11	2.50	—	—	0.940
FJ3026-1212S	1-1/16-14	12	4.29	2.71	—	—	1.125

E-Z Clip System™ - Hose Ends

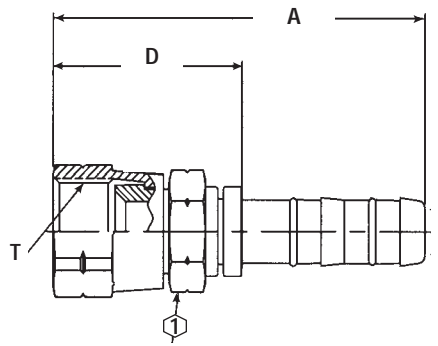
FJ3056



90° Male MIO – (Male Insert O-ring)

Part Number	TH'D "T"	Hose Size	A Ref	D Ref	F Ref	H Ref	⊕ Ref
FJ3056-01-0606S	5/8-18	6	2.50	0.98	—	1.44	0.69
FJ3056-02-0808S	3/4-16	8	2.74	1.20	—	1.82	0.81
FJ3056-03-1010S	7/8-14	10	3.09	1.54	—	2.13	0.94
FJ3056-04-0810S	3/4-16	10	2.75	1.20	—	1.82	0.81
FJ3056-05-0608S	5/8-18	8	2.52	0.98	—	1.44	0.69

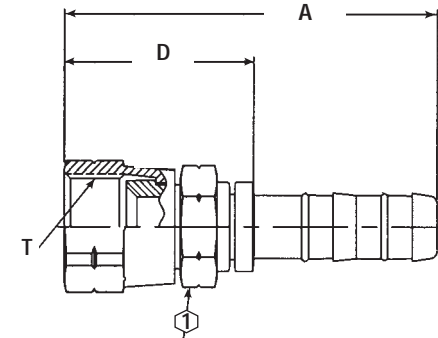
FJ3057



Female SAE 45° Flares

Part Number	TH'D "T"	Hose Size	A Ref	D Ref	F Ref	H Ref	⊕ Ref
FJ3057-01-0606S	5/8-18	6	2.88	1.35	—	—	0.56
FJ3057-02-0608S	5/8-18	8	3.14	1.62	—	—	0.75
FJ3057-03-0808S	3/4-16	8	2.96	1.42	—	—	0.69
FJ3057-04-0810S	3/4-16	10	3.56	2.02	—	—	0.88
FJ3057-05-1010S	7/8-14	10	3.63	2.08	—	—	1.00
FJ3057-06-1012S	7/8-14	12	3.66	2.08	—	—	1.00
FJ3057-07-1212S	1-1/16-14	12	3.20	1.62	—	—	1.25

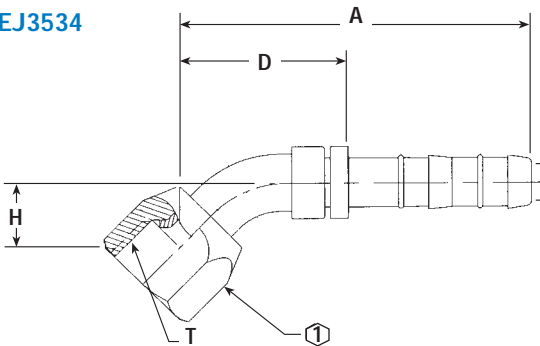
FJ3731



Straight – Female 37° Flares

Part Number	TH'D "T"	Hose Size	A Ref	D Ref	F Ref	H Ref	⊕ Ref
FJ3731-1010S	7/8-14	10	4.21	2.66	—	—	1.00
FJ3731-0606S	9/16-18	6	3.66	2.13	—	—	0.68
FJ3731-0808S	3/4-16	8	4.35	2.81	—	—	0.88
FJ3731-1212S	1-1/16-12	12	4.62	3.04	—	—	1.25
FJ3731-1616S	1-5/16-12	16	5.99	4.31	—	—	1.50
FJ3731-0404S	7/16-20	4	2.75	2.08	—	—	0.56

EJ3534

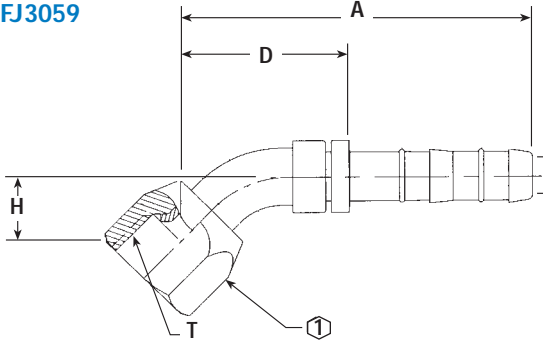


45° Female JIC 37° Flare

Part Number	TH'D "T"	Hose Size	A Ref	D Ref	F Ref	H Ref	⊕ Ref
EJ3534-02-0606S	9/16-18	6	3.31	1.79	—	0.74	1.00
EJ3534-03-0608S	9/16-18	8	3.76	3.32	—	1.10	0.68
EJ3534-04-0808S	3/4-16	8	4.04	2.49	—	1.10	0.88
EJ3534-05-1010S	7/8-14	10	4.21	2.66	—	1.27	1.25
EJ3534-06-1212S	1-1/16-12	12	4.30	2.73	—	1.33	1.50
EJ3534-07-1616S	1-5/16-12	16	5.46	3.79	—	1.92	1.50
EJ3534-01-0404S	7/16-20	4	2.37	1.70	—	0.63	0.56

E-Z Clip System™ - Hose Ends

FJ3059



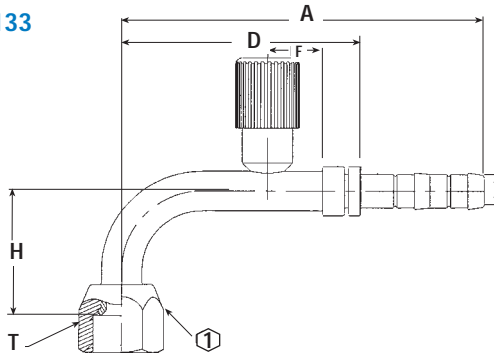
45° Female SAE 45° and Universal Flares

Part Number	TH'D "T"	Hose Size	A Ref	D Ref	F Ref	H Ref	① Ref
FJ3059-01-0606S†	5/8-18	6	2.61	1.08	—	0.39	0.75
FJ3059-02-0608S†	5/8-18	8	2.62	1.08	—	0.39	0.75
FJ3059-03-0808S*	3/4-16	8	2.97	1.43	—	0.55	0.88
FJ3059-04-0810S*	3/4-16	10	2.98	1.43	—	0.55	0.88
FJ3059-05-1010S*	7/8-14	10	3.08	1.53	—	0.63	1.00
FJ3059-06-1012S*	7/8-14	12	3.11	1.53	—	0.63	1.00

† Double notch in nut for universal type identification

* Universal Flare

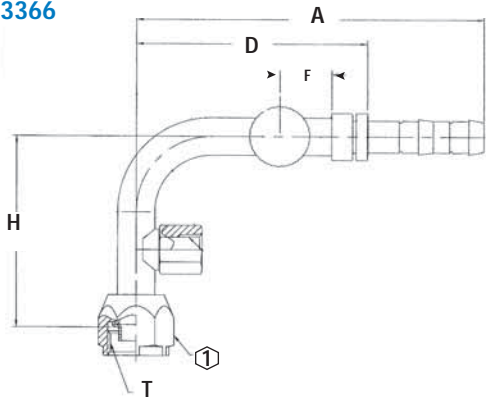
FJ3133



90° Female SAE 45° with High Side Charge Port (R134a)

Part Number	TH'D "T"	Hose Size	A Ref	D Ref	F Ref	H Ref	① Ref
FJ3133-01-0606S	5/8-18	6	4.35	2.82	0.63	1.28	0.75
FJ3133-02-0808S	3/4-16	8	4.61	3.07	0.63	1.53	0.88
FJ3133-03-1010S	7/8-14	10	4.80	3.25	0.63	1.84	0.88

FJ3366

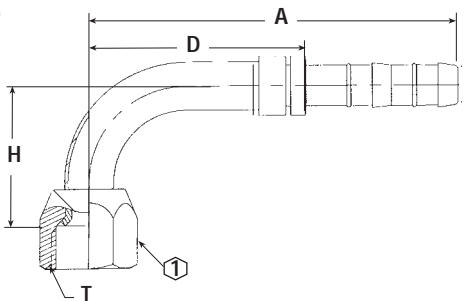


SAE 90° and with R134a C/Port and Switch Port

Part Number	TH'D "T"	Hose Size	A Ref	D Ref	F Ref	H Ref	① Ref
FJ3366-01-0810S*	3/4-16	10	4.62	3.07	0.69	2.53	0.875
FJ3366-02-0808S*	3/4-16	8	4.61	3.07	0.69	2.53	0.875

* MTO (made to order)

FJ3149



90° Female SAE 45° and Universal Flares

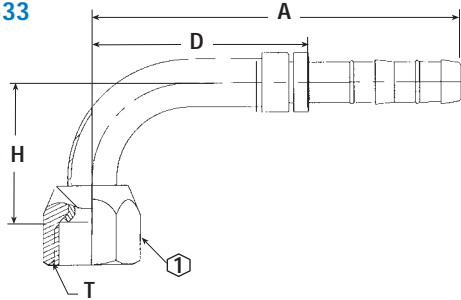
Part Number	TH'D "T"	Hose Size	A Ref	D Ref	F Ref	H Ref	① Ref
FJ3149-01-0606S†	5/8-18	6	2.51	0.98	—	0.85	0.75
FJ3149-02-0608S†	5/8-18	8	2.52	0.98	—	0.85	0.75
FJ3149-03-0808S*	3/4-16	8	2.74	1.20	—	1.09	0.88
FJ3149-04-1010S*	7/8-14	10	3.09	1.54	—	1.19	1.00
FJ3149-05-1012S*	7/8-14	12	3.09	1.54	—	1.19	1.00
FJ3149-06-1212S†	1-1/16-14	12	3.68	2.11	—	1.80	1.25

† Double notch in nut for universal type identification

* Universal Flare

E-Z Clip System™ - Hose Ends

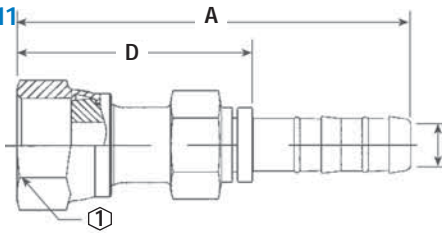
EJ3533



90° Female JIC 37° Flare

Part Number	TH'D "T"	Hose Size	A Ref	D Ref	F Ref	H Ref	Ⓛ Ref
EJ3533-02-0606S	9/16-18	6	3.27	1.74	—	1.69	0.69
EJ3533-03-0608S	9/16-18	8	3.28	1.74	—	1.69	0.69
EJ3533-04-0808S	3/4-16	8	3.14	1.60	—	1.77	0.88
EJ3533-05-1010S	7/8-14	10	3.78	2.23	—	2.59	1.00
EJ3533-06-1212S	1 1/16-12	12	4.11	2.53	—	3.02	1.25
EJ3533-07-1616S	1 5/16-12	16	5.16	3.48	—	3.86	1.50
EJ3533-01-0404S	7/16-20	4	2.09	1.42	—	1.21	0.56

GA23911

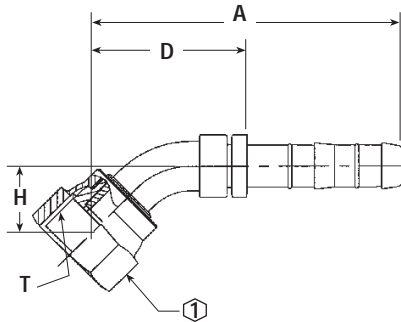


Straight - ORS Female Swivel Metric Hex Nut^Δ

Part Number	TH'D "T"	Hose Size	A Ref	D Ref	F Ref	H Ref	Ⓛ Ref
GA23911-6-6	1-1/16-16	6	2.95	1.43	—	—	22mm
GA23911-8-8	1-3/16-16	8	3.17	1.62	—	—	24mm
GA23911-10-12	1-14	12	3.32	1.74	—	—	30mm
GA23911-10-10	1-14	10	3.33	1.78	—	—	30mm
GA23911-12-12	1-3/16-12	12	3.320	1.52	—	—	41mm

Δ Metric Hex

FJ3161 GA23912

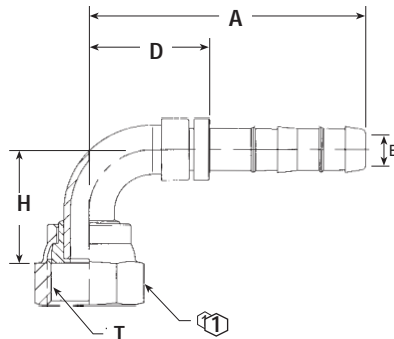


45° ORS Female Swivel

Part Number	TH'D "T"	Hose Size	A Ref	D Ref	F Ref	H Ref	Ⓛ Ref
FJ3161-01-0606S	11/16-16	6	2.65	1.12	—	0.44	0.81
FJ3161-02-0808S	13/16-16	8	3.02	1.47	—	0.59	0.94
FJ3161-03-1010S	1-14	10	3.22	1.67	—	0.70	1.13
FJ3161-04-1008S	1-14	8	3.32	1.78	—	0.70	1.13
GA23912-10-8*	1-14	8	3.50	1.96	—	0.68	30mm
GA23912-12-12*	1-3/16-12	12	4.23	2.65	—	0.83	36mm
F3161-08-0810S	13/16-16	10	3.02	1.47	—	0.59	0.94
GA23912-10-10*	1-14	10	3.77	2.22	—	0.68	30mm
GA23912-8-8	13-16-16	8	3.43	1.89	—	0.59	30mm

* GA Part numbers have a metric hex

FJ5994/ GA23913



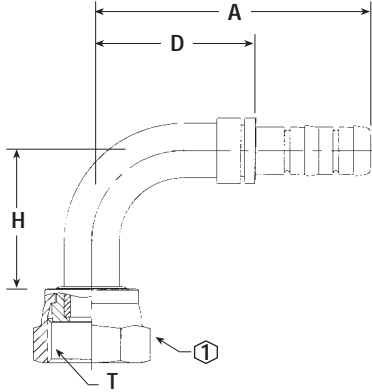
90° ORS Female Swivel

Part Number	TH'D "T"	Hose Size	A Ref	D Ref	F Ref	H Ref	Ⓛ Ref
FJ5994-01-0606S*	1-1/16-16	6	2.50	0.98	—	0.91	0.81
FJ5994-02-0808S*	13/16-16	8	2.74	1.20	—	1.15	0.94
FJ5994-04-1010S*	1-14	10	3.09	1.53	—	1.27	1.12
FJ5994-03-1212S*	1-3/16-12	12	3.36	1.78	—	1.90	1.38
FJ5994-05-0406S*	9/16-18	6	2.44	0.92	—	0.82	0.69
FJ5994-05-1012S*	1-14	12	3.11	1.53	—	1.78	1.13
FJ5994-07-0806S*	13/16-16	6	2.66	1.10	—	1.15	0.94
FJ5994-09-1016S	1-14	16	3.30	1.62	—	1.78	1.125
GA23913-10-12*	1-14	12	3.67	2.10	—	1.54	1.18

* GA Part numbers have a metric hex

E-Z Clip System™ - Hose Ends

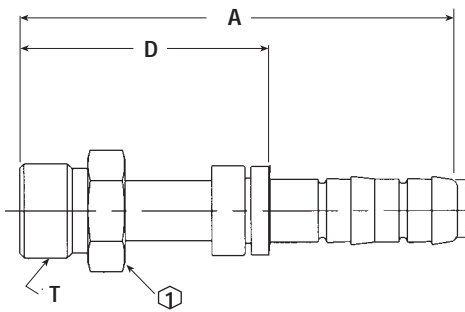
FJ3319



90° ORS Female Swivel (Long Drop)

Part Number	TH'D "T"	Hose Size	A Ref	D Ref	F Ref	H Ref	① Ref
FJ3319-1212S	1-3/16-12	12	3.82	2.24	—	2.38	1.13

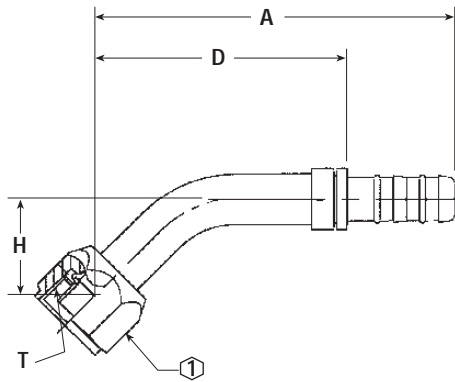
FJ3136



Straight Male O-ring (Rigid) Metric Thread

Part Number	TH'D "T"	Hose Size	A Ref	D Ref	F Ref	H Ref	① Ref
FJ3136-0810S	M20 x 1.5	10	3.62	2.07	0.69	—	0.88

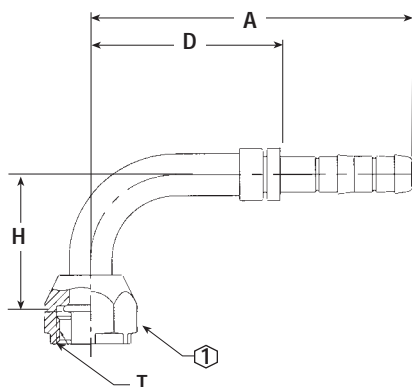
FJ3192



45° Female O-ring (long pilot, metric thread)

Part Number	TH'D "T"	Hose Size	A Ref	D Ref	F Ref	H Ref	① Ref
FJ3192-02-1212S	M27x2	12	4.74	3.17	—	1.47	1.25

FJ3111 FJ3409



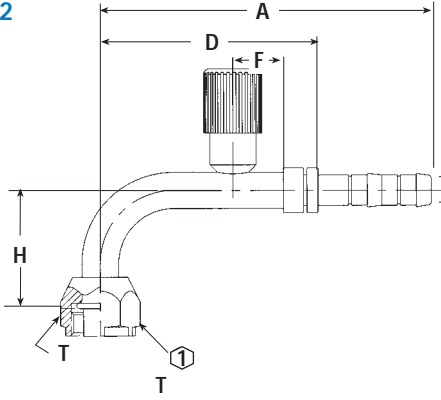
90° Female O-ring (Long Pilot) Metric Thread

Part Number	TH'D "T"	Hose Size	A Ref	D Ref	F Ref	H Ref	① Ref
FJ3111-01-0808S	M20 x 1.5	8	3.77	2.23	—	1.62	0.94
FJ3111-02-0810S	M20 x 1.5	10	3.78	2.23	—	1.62	0.94
FJ3111-03-0806S*	M20 x 1.5	6	3.75	2.23	—	1.62	0.94
FJ3409-1212S	M27 x 2	12	4.74	3.16	—	2.56	1.25

* MTO (made to order)

E-Z Clip System™ - Hose Ends

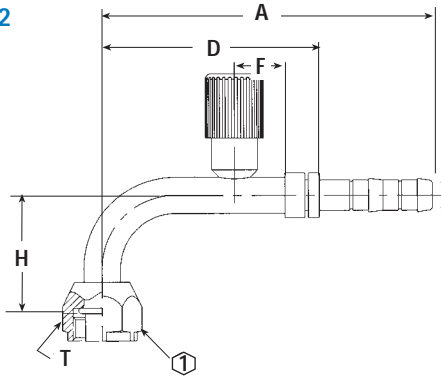
FJ3892



90° Female O-ring (Long Pilot) with R134a Low Side Port (Metric Thread)

Part Number	TH'D "T"	Hose Size	A Ref	D Ref	F Ref	H Ref	Ⓛ Ref
FJ3892-01-1010S	M24 x 1.5	10	4.88	3.33	.63	1.89	1.125

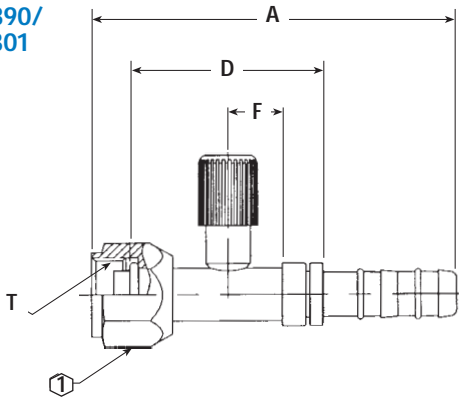
FJ3112



90° Female O-ring (Long Pilot) Metric Thread with High Side Charge Port (R134a)

Part Number	TH'D "T"	Hose Size	A Ref	D Ref	F Ref	H Ref	Ⓛ Ref
FJ3112-01-0808S	M20 x 1.5	8	4.52	2.98	0.69	1.62	0.94
FJ3112-02-0810S	M20 x 1.5	10	4.53	2.98	0.69	1.62	0.94
FJ3112-03-0806S	M20 x 1.5	6	4.50	2.98	0.69	1.62	0.94
FJ3112-03-1010S	M24 x 1.5	10	4.88	3.33	0.63	1.89	1.125

FJ3890/ FJ3301

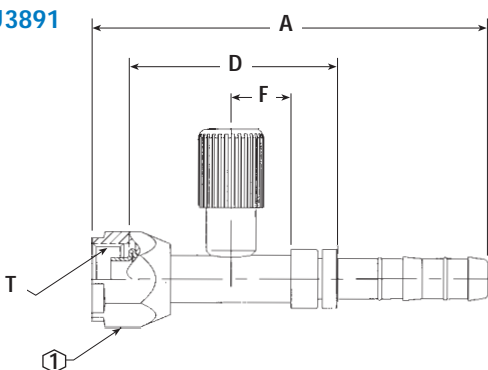


Straight - Female O-ring (Long Pilot) with R134a High Side Port (Metric Thread)

Part Number	TH'D "T"	Hose Size	A Ref	D Ref	F Ref	H Ref	Ⓛ Ref
FJ3890-01-0806S	M20 x 1.5	6	4.06	2.16	0.63	—	0.94
FJ3301-01-0606S*	M18 x 1.5	6	3.91	2.10	0.63	—	0.94

* MTO (made to order)

FJ3891

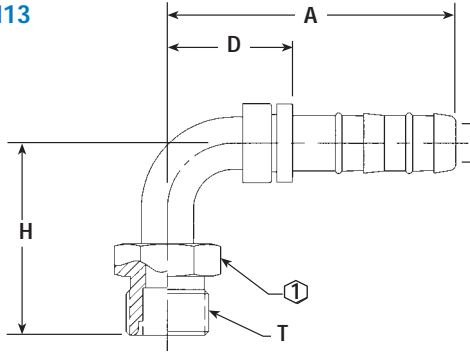


Straight - Female O-ring (Long Pilot) with R134a Low Side Port (Metric Thread)

Part Number	TH'D "T"	Hose Size	A Ref	D Ref	F Ref	H Ref	Ⓛ Ref
FJ3891-01-1010S	M24 x 1.5	10	4.24	2.25	0.62	1.62	1.125

E-Z Clip System™ - Hose Ends

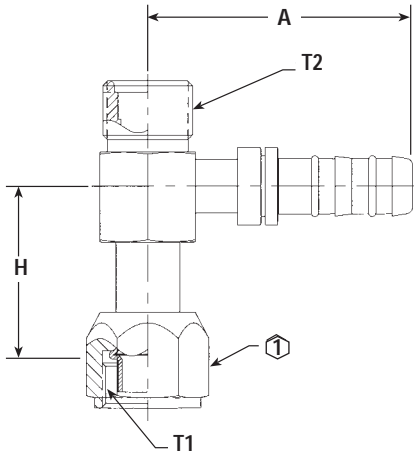
FJ3113



90° Male O-ring (Rigid) Metric Thread

Part Number	TH'D "T"	Hose Size	A Ref	D Ref	F Ref	H Ref	① Ref
FJ3113-0810S	M20 x 1.5	10	2.75	1.20	—	1.82	0.88

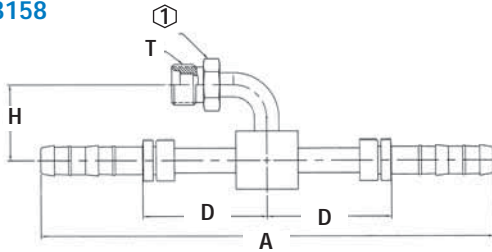
**FJ3067
FJ3495**



Part Number	TH'D "T"	Hose Size	A Ref	D Ref	F Ref	H Ref	① Ref
FJ3067-1212S*	M27 x 2	12	3.12	—	—	2.02	1.25
FJ3495-0808S	M20 x 1.5	8	2.71	—	—	1.68	0.94

* MTO (made to order)

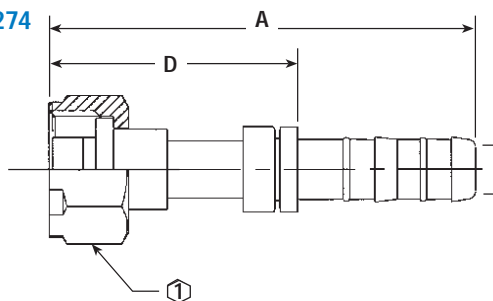
EJ3158



Tee Style Fitting with Male O-ring Connection

Part Number	TH'D "T"	Hose Size	A Ref	D Ref	F Ref	H Ref	① Ref
EJ3158-101212S	7/8-14	12	5.67	1.26	—	1.49	0.94
EJ3158-121616S	1-1/16-14	16	6.79	1.72	—	2.13	1.13
EJ3158-060808S	5/8-18	8	6.86	1.88	—	1.14	0.69
EJ3158-080808S	3/4-16	8	6.86	1.89	—	1.39	0.81

FJ3274



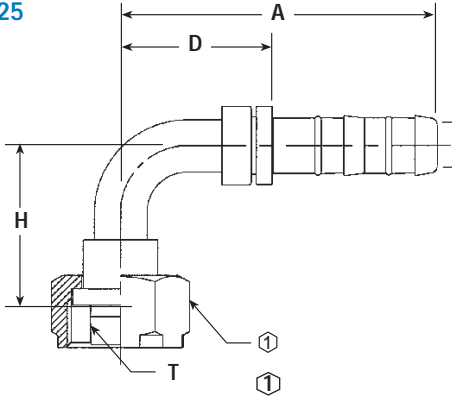
Straight - Female Rotalok

Part Number	TH'D "T"	Hose Size	A Ref	D Ref	F Ref	H Ref	① Ref
FJ3274-1010S	1-14	10	3.69	2.14	—	—	1.13
FJ3274-1012S*	1-14	12	3.75	2.14	—	—	1.13

* MTO (made to order)

E-Z Clip System™ - Hose Ends

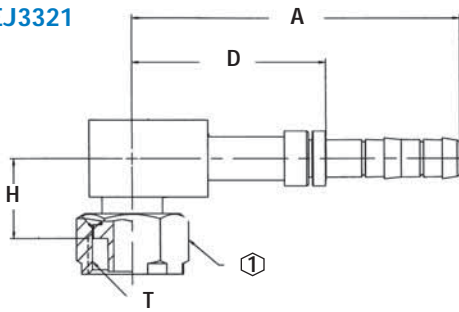
FJ3225



90° Female Rotalok

Part Number	TH'D "T"	Hose Size	A Ref	D Ref	F Ref	H Ref	① Ref
FJ3225-1010S	1-14	10	2.98	1.43	—	1.52	1.13
FJ3225-1008S	1-14	8	2.98	1.43	—	1.52	1.13
FJ3225-1012S	1-14	12	3.11	1.54	—	1.62	1.13

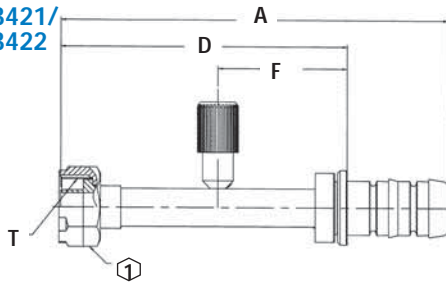
EJ3321



Short Drop 90° Female Rotalok

Part Number	TH'D "T"	Hose Size	A Ref	D Ref	F Ref	H Ref	① Ref
EJ3321-1008S	1-14	8	3.62	2.07	—	0.91	1.13
EJ3321-1012S	1-14	12	3.87	2.29	—	0.91	1.13

EJ3421/ EJ3422

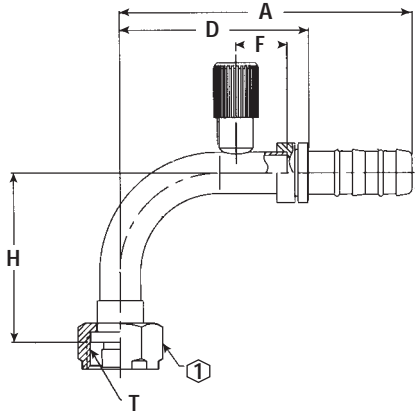


Female Rotalok with R134 Port

Part Number	TH'D "T"	Hose Size	A Ref	D Ref	F Ref	H Ref	① Ref
EJ3421-1012S	1-14	12	6.44	4.86	2.17	High	1.13
EJ3422-1016S	1-14	16	6.45	4.77	2.15	Low	1.13

E-Z Clip System™ - Hose Ends

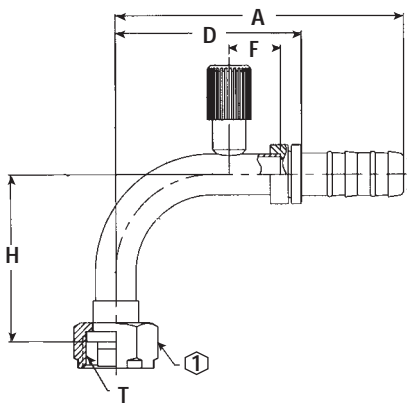
FJ3510



90° Female Rotalok with R134a Low Side Port

Part Number	TH'D "T"	Hose Size	A Ref	D Ref	F Ref	H Ref	① Ref
FJ3510-1012S	1-14	12	4.48	2.88	.79	2.58	1.13

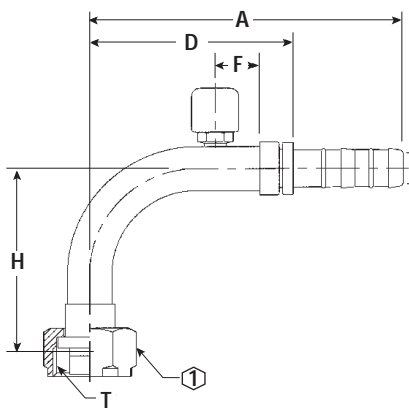
FJ3511



90° Female Rotalok with R134a High Side Port

Part Number	TH'D "T"	Hose Size	A Ref	D Ref	F Ref	H Ref	① Ref
FJ3511-1010S	1-14	10	4.43	2.88	.79	2.58	1.13

FJ3226

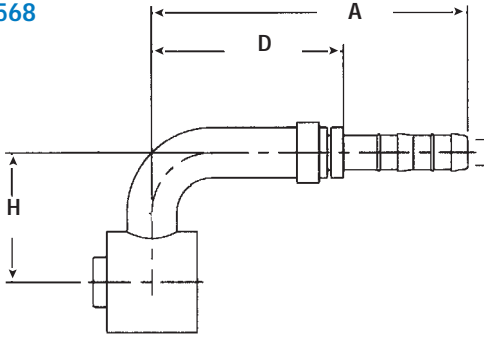


90° Female Rotalok with Switch Port (7/16-20 Thread)

Part Number	TH'D "T"	Hose Size	A Ref	D Ref	F Ref	H Ref	① Ref
FJ3226-1010S	1-14	10	4.43	2.88	0.63	2.56	1.13

E-Z Clip System™ - Hose Ends

FJ3568

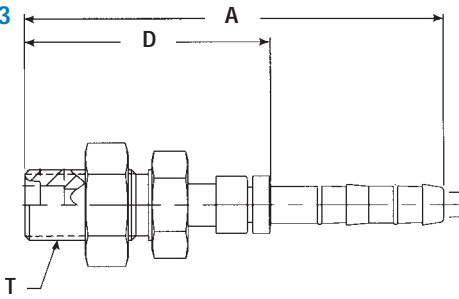


90° GM Block Style

Part Number	TH'D "T"	Hose Size	A Ref	D Ref	F Ref	H Ref	① Ref
FJ3568-1008S*	—	8	3.92	2.38	—	1.60	—
FJ3568-1010S*	—	10	3.83	2.28	—	2.31	—
FJ3568-1012S*	—	12	3.86	2.28	—	2.38	—

* MTO (made to order)

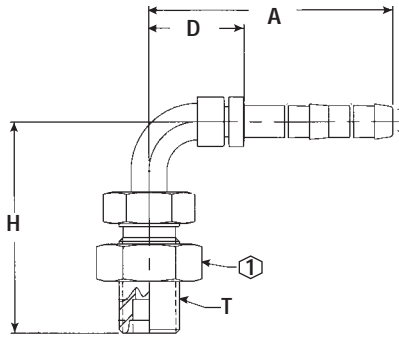
FJ3513



Straight Bulkhead

Part Number	TH'D "T"	Hose Size	A Ref	D Ref	F Ref	H Ref	① Ref
FJ3513-0606S	5/8-18	6	3.69	2.16	—	—	0.94
FJ3513-0808S	3/4-16	8	3.93	2.39	—	—	1.0
FJ3513-1010S	7/8-14	10	4.49	2.94	—	—	1.13
FJ3513-1212S	1-1/16-14	12	4.83	3.24	—	—	1.38
FJ3513-1216S	1-1/16-14	16	4.92	3.24	—	—	1.38

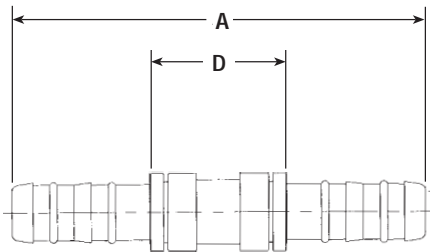
FJ3514



90° Male Bulkhead

Part Number	TH'D "T"	Hose Size	A Ref	D Ref	F Ref	H Ref	① Ref
FJ3514-0606S	5/8-18	6	2.50	.98	—	2.15	0.94
FJ3514-0808S	3/4-16	8	2.74	1.20	—	2.61	1.0
FJ3514-1010S	7/8-14	10	3.08	1.53	—	3.26	1.13
FJ3514-1012S	7/8-14	12	3.11	1.53	—	3.26	1.13
FJ3514-1212S	1-1/16-14	12	3.69	2.11	—	3.78	1.38

FJ3045

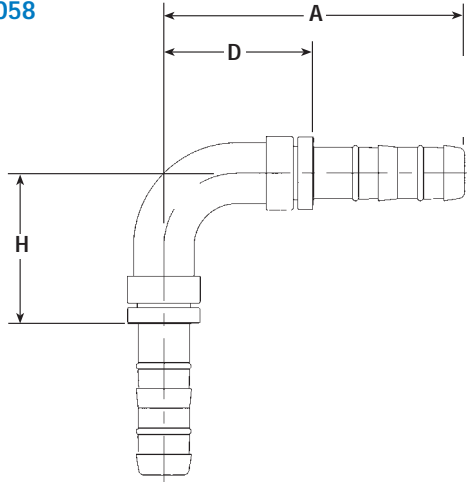


Straight Splicer

Part Number	TH'D "T"	Hose Size	A Ref	D Ref	F Ref	H Ref	① Ref
FJ3045-0606S	—	6	4.63	1.58	—	—	—
FJ3045-0808S	—	8	4.76	1.68	—	—	—
FJ3045-1010S	—	10	5.68	2.58	—	—	—
FJ3045-1212S	—	12	4.72	1.57	—	—	—
FJ3045-1008S	—	8	5.78	2.69	—	—	—
FJ3045-1616S	—	16	5.18	1.82	—	—	—

E-Z Clip System™ - Hose Ends

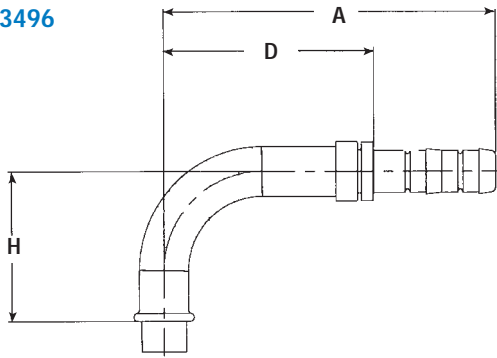
FJ3058



90° Splicer

Part Number	TH'D "T"	Hose Size	A Ref	D Ref	F Ref	H Ref	① Ref
FJ3058-01-0606S	—	6	2.71	1.18	—	2.71	—
FJ3058-02-0808S	—	8	2.98	1.43	—	2.98	—
FJ3058-03-1010S	—	10	3.08	1.53	—	3.08	—
FJ3058-04-1212S	—	12	3.68	2.11	—	3.68	—
FJ3058-05-1010S	—	10	6.86	5.61	—	6.86	—
FJ3058-06-1212S	—	12	6.86	5.36	—	6.86	—

FJ3496

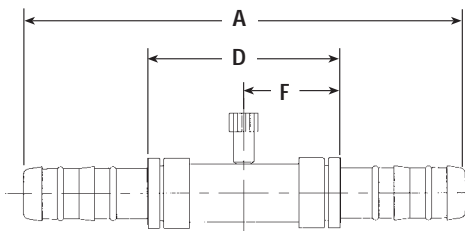


90° Pilot Connection (Long Pilot)

Part Number	TH'D "T"	Hose Size	A Ref	D Ref	F Ref	H Ref	① Ref
FJ3496-01-1010S	—	10	4.22	2.67	—	1.89	—
FJ3496-02-0808S*	—	8	3.77	2.23	—	1.62	—
FJ3496-03-1012S	—	12	4.25	2.67	—	1.89	—

* MTO (made to order)

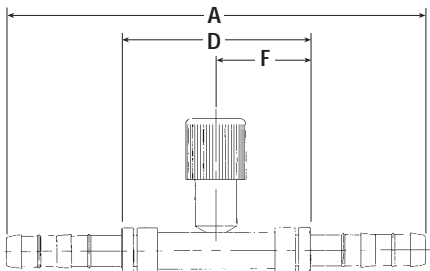
FJ3171



Splicer with Switch Port (7/16-20 Thd)

Part Number	TH'D "T"	Hose Size	A Ref	D Ref	F Ref	H Ref	① Ref
FJ3171-0606S	—	6	5.41	2.36	1.18	—	—
FJ3171-0808S	—	8	5.61	2.52	1.26	—	—
FJ3171-1010S	—	10	5.54	2.44	1.22	—	—
FJ3171-1212S	—	12	5.60	2.44	1.22	—	—
FJ3171-1616S	—	16	6.79	3.44	1.72	—	—

FJ5995

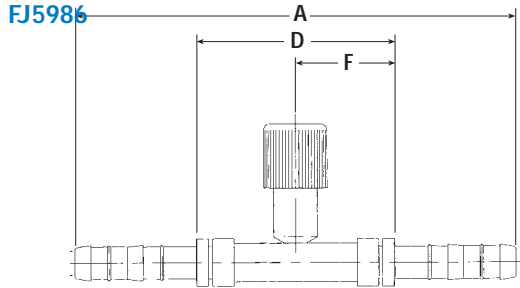


Splicer with High Side R134a Port

Part Number	TH'D "T"	Hose Size	A Ref	D Ref	F Ref	H Ref	① Ref
FJ5995-0606S	—	6	5.41	2.36	1.18	—	—
FJ5995-0808S	—	8	5.61	2.52	1.26	—	—
FJ5995-1010S	—	10	5.62	2.52	1.26	—	—
FJ5995-1212S	—	12	5.67	2.52	1.26	—	—

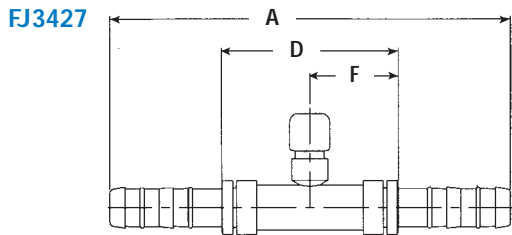
* MTO (made to order)

E-Z Clip System™ - Hose Ends



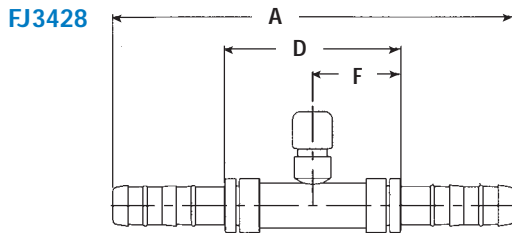
Splicer with R134a Low Side Port

Part Number	TH'D "T"	Hose Size	A Ref	D Ref	F Ref	H Ref	Ⓜ Ref
FJ5986-1010S	—	10	5.54	2.44	1.22	—	—
FJ5986-1212S	—	12	5.60	2.44	1.22	—	—
FJ5986-1616S	—	16	6.79	3.44	1.72	—	—



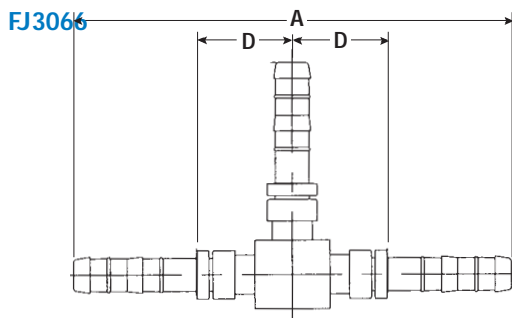
Splicer with High Side Switch Port (M10 X 1.25)

Part Number	TH'D "T"	Hose Size	A Ref	D Ref	F Ref	H Ref	Ⓜ Ref
FJ3427-0808S	—	8	5.61	2.52	1.26	—	—
FJ3427-1010S	—	10	5.54	2.44	1.22	—	—



Splicer with Low Side Switch Port (M12 X 1.25)

Part Number	TH'D "T"	Hose Size	A Ref	D Ref	F Ref	H Ref	Ⓜ Ref
FJ3428-1212S	—	12	5.59	2.44	1.22	—	—



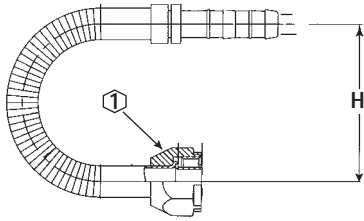
"T" Splicer - 3 Hose Connector

Part Number	TH'D "T"	Hose Size	A Ref	D Ref	F Ref	H Ref	Ⓜ Ref
FJ3066-0808S	—	8	5.48	2.40	—	—	—
FJ3066-1010S	—	10	5.62	2.52	—	—	—
FJ3066-1212S	—	12	5.67	2.52	—	—	—
FJ3066-101212S	—	10x12x12	5.67	2.52	—	—	—
FJ3066-060808S	—	6x8x8	5.48	2.40	—	—	—
FJ3066-060606S*	—	6x6x6	5.48	2.40	—	—	—

* MTO (made to order)

E-Z Clip System™ - Hose Ends

FJ3623

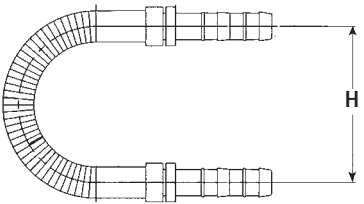


180° Female O-ring Pilot

Part Number	TH'D "T"	Hose Size	A Ref	D Ref	F Ref	H Ref	Ⓛ Ref
FJ3623-0808S*	M20 x 1.5	8	—	—	—	2.50	.94

* MTO (made to order)

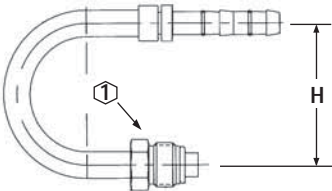
FJ3624



Part Number	TH'D "T"	Hose Size	A Ref	D Ref	F Ref	H Ref	Ⓛ Ref
FJ3624-0808S*	—	8	—	—	—	2.50	—

* MTO (made to order)

FJ3804

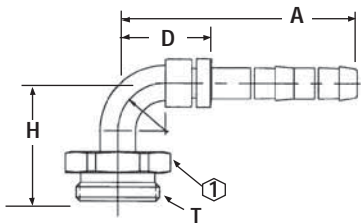


180° Male O-ring

Part Number	TH'D "T"	Hose Size	A Ref	D Ref	F Ref	H Ref	Ⓛ Ref
FJ3804-0606S*	5/8-18	6	—	—	—	2.00	.625
FJ3804-1010S*	7/8-18	10	—	—	—	3.00	.88

* MTO (made to order)

FJ3914



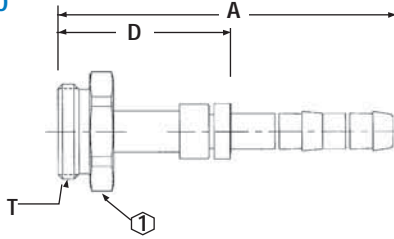
90° 5400 Coupling Thread

Part Number	TH'D "T"	Hose Size	A Ref	D Ref	F Ref	H Ref	Ⓛ Ref
FJ3914-03-1210S*	1 1/4-18	10	3.08	1.53	—	1.23	1.375
FJ3914-03-0806S*	7/8-20	6	2.50	0.98	—	1.23	1.00

* MTO (made to order)

E-Z Clip System™ - Hose Ends

FJ3970



Straight 5400 Coupling Thread

Part Number	TH'D "T"	Hose Size	A Ref	D Ref	F Ref	H Ref	① Ref
FJ3970-0606S	7/8 x 20	6	3.14	1.82	—	—	1.00

FJ3734

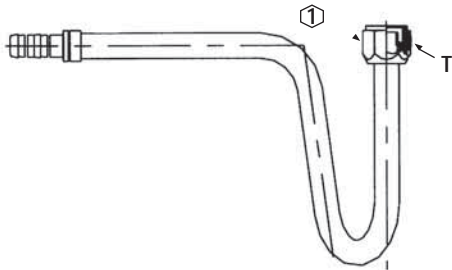


Female O-ring (Long Pilot) Compound Tube

Part Number	TH'D "T"	Hose Size	A Ref	D Ref	F Ref	H Ref	① Ref
FJ3734-1212S*	1 1/16 x 14	12	—	—	—	—	1.25

* MTO (made to order)

FJ3801

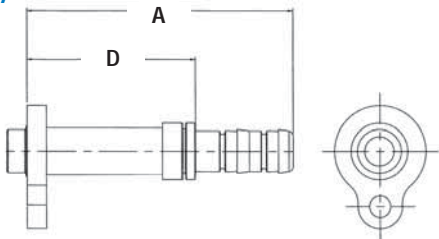


Female O-ring (Long Pilot) Compound Tube

Part Number	TH'D "T"	Hose Size	A Ref	D Ref	F Ref	H Ref	① Ref
FJ3801-1212S*	1 1/16 x 14	12	—	—	—	—	1.25

* MTO (made to order)

FJ3977

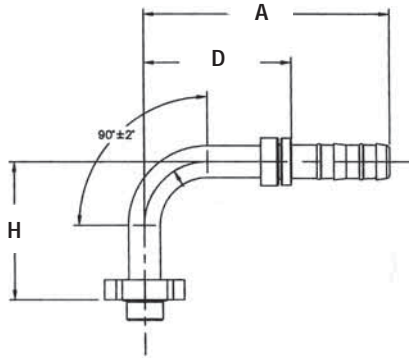


Pad Style Connection (Volvo)

Part Number	TH'D "T"	Hose Size	A Ref	D Ref	F Ref	H Ref	① Ref
FJ3977-0806S	—	6	3.34	1.82	—	—	—
FJ3977-0810S	—	10	3.74	2.19	—	—	—
FJ3977-1012S	—	12	4.32	2.73	—	—	—

E-Z Clip System™ - Hose Ends

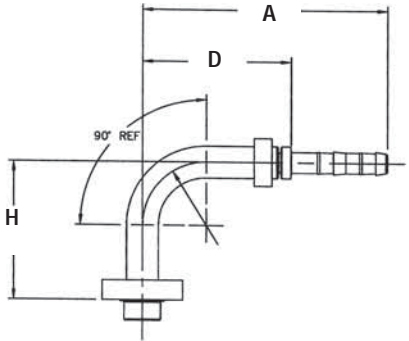
FJ3982



90° Pad Style Connection (Volvo)

Part Number	TH'D "T"	Hose Size	A Ref	D Ref	F Ref	H Ref	Ⓛ Ref
FJ3982-0806S	—	6	3.86	2.33	—	2.18	—
FJ3982-0810S	—	10	3.86	2.31	—	2.18	—

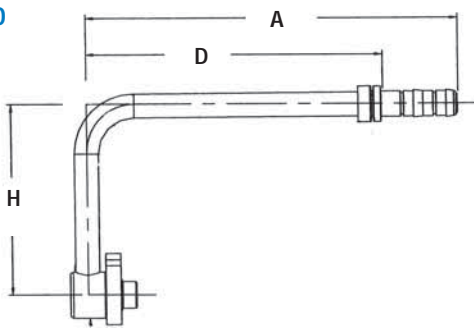
FJ3983



90° Pad Style Connection (Volvo) (Pad Orientation 90°)

Part Number	TH'D "T"	Hose Size	A Ref	D Ref	F Ref	H Ref	Ⓛ Ref
FJ3983-0806S	—	6	3.86	2.33	—	2.18	—

FJ3980

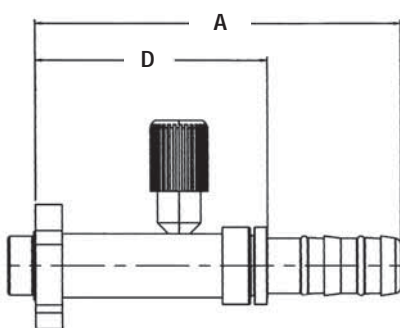


180° Pad Style Connection

Part Number	TH'D "T"	Hose Size	A Ref	D Ref	F Ref	H Ref	Ⓛ Ref
FJ3980-0810S*	—	10	6.04	4.48	—	3.92	—

* MTO (made to order)

FJ3978



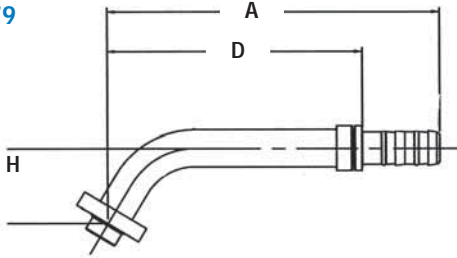
Straight Pad Style (Volvo) with R134a Low Side Port

Part Number	TH'D "T"	Hose Size	A Ref	D Ref	F Ref	H Ref	Ⓛ Ref
FJ3978-1012S*	—	12	4.32	2.73	—	—	—

* MTO (made to order)

E-Z Clip System™ - Hose Ends

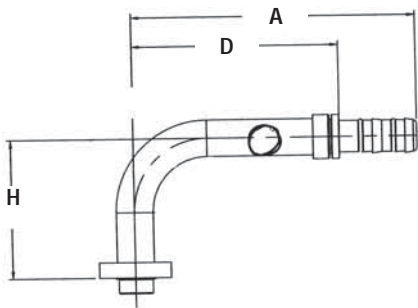
FJ3979



60° Elbow, Pad Style (Volvo) with R134a Low Side Port

Part Number	TH'D "T"	Hose Size	A Ref	D Ref	F Ref	H Ref	① Ref
FJ3979-1012S	—	12	6.78	5.2	—	1.53	—

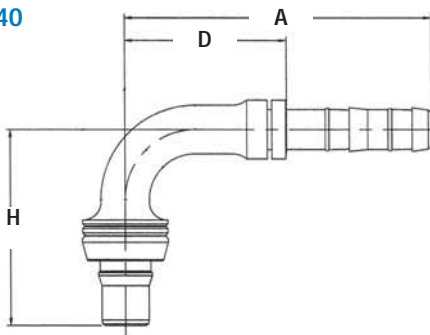
FJ3981



90° Elbow, Pad Style (Volvo) with R134a Low Side Port

Part Number	TH'D "T"	Hose Size	A Ref	D Ref	F Ref	H Ref	① Ref
FJ3981-1012S	—	12	5.9	4.32	—	2.84	—

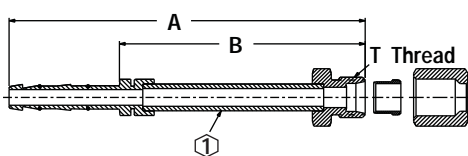
1F20340



90° to STC

Part Number	TH'D "T"	Hose Size	A Ref	D Ref	F Ref	H Ref	① Ref
1F20340-0808-S	—	8	3.03	1.49	—	2.09	—

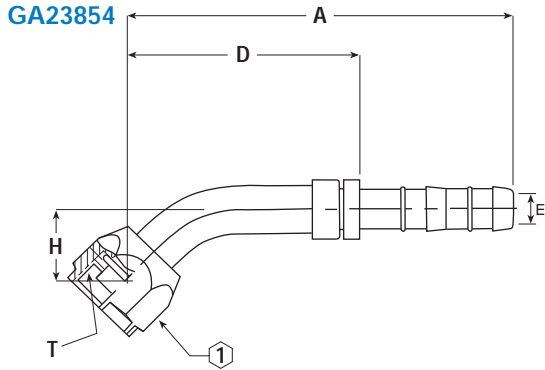
EJ3809



E-Z Clip Compression Fitting

Part Number	TH'D "T"	Hose Size	A Ref	B Ref	F Ref	H Ref	① Ref
EJ3809-01-0606S	9/16-18	6	4.92	3.40	—	—	0.69
EJ3809-02-0806S	2/4-16	6	4.93	2.40	—	—	0.88
EJ3809-03-0606S	9/16-18	6	4.94	3.40	—	—	0.69
EJ3809-04-0808S	3/4-16	8	4.84	3.30	—	—	0.88
EJ3809-05-1008S	7/8-14	8	4.73	3.19	—	—	1.00
EJ3809-06-0810S	3/4-16	10	4.85	3.30	—	—	0.88
EJ3809-07-1010S	7/8-14	10	4.64	3.09	—	—	1.00
EJ3809-08-1012S	7/8-14	12	4.66	3.09	—	—	1.00
EJ3809-09-1212S	1-1/16-12	12	4.98	3.40	—	—	1.25
EJ3809-10-1210S	1-1/16-12	10	5.05	3.50	—	—	1.25

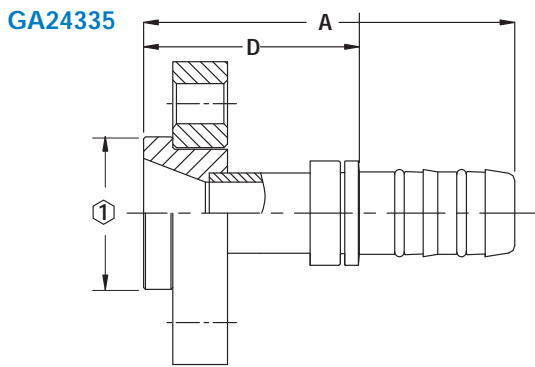
E-Z Clip System™ - Hose Ends



45° Female O-ring (Long Pilot)

Part Number	TH'D "T"	Hose Size	A Ref	D Ref	F Ref	H Ref	⊕ Ref
GA23854-12-16*	1 1/16-14	16	5.125	3.175	—	1.39	32mm

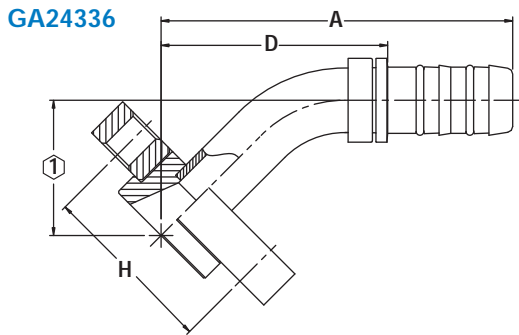
* MTO (made to order)



Straight Bock Compressor Fitting

Part Number	TH'D "T"	Hose Size	A Ref	D Ref	F Ref	H Ref	⊕ Ref
GA24335-22-16*	—	16	4.01	2.33	—	—	1.65

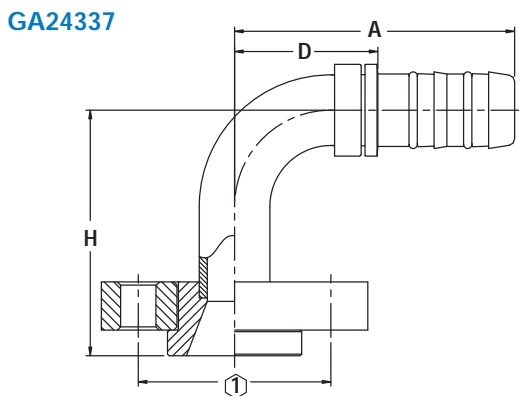
* MTO (made to order)



45° Bock Compressor Fitting

Part Number	TH'D "T"	Hose Size	A Ref	D Ref	F Ref	H Ref	⊕ Ref
GA24336-22-16*	—	16	4.72	3.04	—	1.81	1.65

* MTO (made to order)



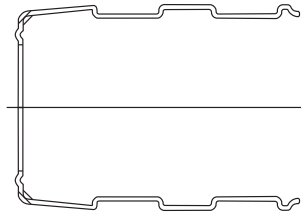
90° Bock Compressor Fitting

Part Number	TH'D "T"	Hose Size	A Ref	D Ref	F Ref	H Ref	⊕ Ref
GA24337-22-16*	—	16	3.44	1.76	—	3.01	1.65

* MTO (made to order)

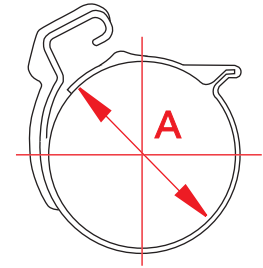
E-Z Clip System™ - Cages, Clips, and Lifesavers

Cages



Part Number	Cage Size	Hose Description
1F40105-06C	-06	Cages for size -06 hose
1F40105-08C	-08	Cages for size -08 hose
1F40105-10C	-10	Cages for size -10 hose
1F40105-12C	-12	Cages for size -12 hose
1F40105-16C	-16	Cages for size -16 hose

Clips

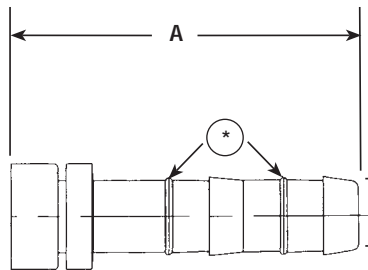


Part Number	A Ref	Description
1F40104-06C	18.0 mm	Clips for size -06 hose
1F40104-08C	20.5 mm	Clips for size -08 hose
1F40104-10C	23.0 mm	Clips for size -10 hose
1F40104-12C	27.5 mm	Clips for size -12 hose
1F40104-16C	33.0 mm	Clips for size -16 hose

Clip and Cage Kits

Kit Part Number	Hose Size	Number of Clips per Kit	Number of Cages per Kit
FF14171	6	2	1
FF14172	8	2	1
FF14173	10	2	1
FF14174	12	2	1
FF14401	16	2	1
FF13819	6	4	2
FF13820	8	4	2
FF13821	10	4	2
FF13822	12	4	2
FF14402	16	4	2

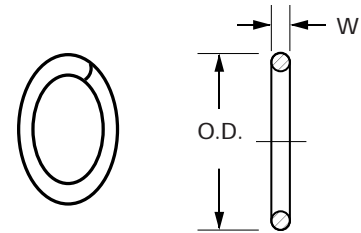
Lifesaver Braze Nipple



Part Number	TH'D "T"	Hose Size	A Ref
FF12262-0606	—	6	2.01
FF12262-0608	—	8	2.02
FF12262-0808	—	8	2.02
FF12262-0810	—	10	2.03
FF12262-1010	—	10	2.03
FF12262-1012	—	12	2.06
FF12262-1212	—	12	2.21
FF12262-1616	—	16	2.21
FF12262-1016	—	16	2.21
FF12262-1216	—	16	2.21

* O-rings packaged separately

Lifesaver Braze Rings



Part Number	Tube O.D.	Wire Dia.	O.D.
4640 x 6	3/8	.046	.375
4640 x 8	1/2	.046	.500
4640 x 10	5/8	.046	.625
4640 x 12	3/4	.062	.750
4640 x 16	1	.062	1.000

E-Z Clip System™ - Aluminum Lifesaver

A/C Hose Repair System

The Aluminum Lifesaver braze fitting is designed to rework failed OEM aluminum air conditioning tubing and hose assemblies in sizes 10mm to 18mm (metric tubing only, -6 to -12). This repair system allows the installer to reuse unique OEM terminal connections, while replacing the failed OEM hose and nipple with the E-Z Clip attachment system.

NOTE: The E-Z Clip system can only be used with Weatherhead GH134W hose.



E-Z to use

Each kit contains the correct components for replacement of a single hose assembly.

Weatherhead GH134W hose must be ordered or purchased separately.

Determine tube O.D. for Hose I.D. per chart below:

Standard Configurations

Size *	Tube O.D. mm (in)	Hose I.D. mm (in)	Hose Part Number	Use Lifesaver Kit Part Number
-6	10 (.39)	8 (.32)	GH134W-6	FF13727-1006
-8	12 (.47)	11 (.42)	GH134W-8	FF13727-1208
-10	16 (.63)	13 (.51)	GH134W-10	FF13727-1610
-12	18 (.71)	16 (.64)	GH134W-12	FF13727-1812

*This (-) size label will be referenced throughout the instructions

E-Z Clip Aluminum

Lifesaver Kits – Part number ordering Guide:

Order Kit No.	Kit Component	Description	Qty
FF13727 -size	GW1172-size	Braze-on nipple	2
	1F40106-size	Nipple O-ring	5
	GA7000579-size	Silver Braze Ring	3
		Assembly Instructions	1

E-Z Clip System™ - Tools

Pliers/Connecting Tool



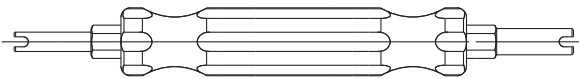
Part Number	Description
FT1357	Connecting Tool
FT1421	Connecting Tool for #16 (replaces FT1417)

Hose Cutter



Part Number	Description
T-135	Hose Cutter
T-135B	Replacement Blade

Core Tool



Part Number	Description
FT1406	Core Tool
FF90192-02	High Side Core*
FF90192-01	Low Side Core*
FF90193-02	High Side Cap
FF90193-01	Low Side Cap
FF9872-04	Cap for 7/16-20 Thd. port

*For Weatherhead high flow charge ports only.



FF90192-02



FF90192-01



FF90193-02, FF90193-01



FF9872-04

E-Z Clip Components - Ordering & Identifying



The E-Z Clip System is designed for assembly with Weatherhead GH134W Multi-Refrigerant hose. Its engineered connection exceeds SAE J2064 and has been vibration and impulse tested.

The benefits of E-Z Clip are virtually endless:

- No guess work
- No leaking crimps
- No power supply needed
- As easy to use as a pair of pliers
- Easy to use in confined areas

Assembly Materials Checklist

- Pliers (FT1357)
- Guillotine blade (T-135) or equivalent cutting tool
- Refrigerant oil compatible with refrigeration or A/C system
- GH134W Multi-Refrigerant hose
- Nipple assembly*
- Appropriately sized clips and cage

*The two black o-rings on the nipple assembly are of a specific rubber compound and size. They should NOT be removed.



E-Z Clip System Components Are Simple to Identify, Order and Use

Ordering Information

Hose	Nipple	Cage	Clips
GH134-6W	FJ___-__06S	1F40105-06C	1F40104-06C
GH134-8W	FJ___-__08S	1F40105-08C	1F40104-08C
GH134-10W	FJ___-__10S	1F40105-10C	1F40104-10C
GH134-12W	FJ___-__12S	1F40105-12C	1F40104-12C
GH134-16W*	FJ___-__16S	1F40105-16C	1F40104-16C

Identification Guide

Hose	Cage	Clips	Nipple O-Ring*(HNBR)
GH134-6W	-6 and 150	150	1F40106-06
GH134-8W	-8 and 175	175	1F40106-08
GH134-10W	-10 and 200	200	1F40106-10
GH134-12W	-12 and 245	245	1F40106-12
GH134-16W	-16 and 285	285	1F40106-16

* The o-ring shown must be used on the hose nipple. NO substitution can be made, without potential of failure.

For Example...



Hose



Cage



Cage Groove



Clips

* See assembly instructions in document # W-HOAC-MS002-E

E-Z Clip System™ - Assembly Instructions

Step 1. Cut the Hose

Cut the hose to proper length with an appropriate cutting tool. The Weatherhead hand-held hose cutter (T-135) has been specifically designed for cutting all non-wire reinforced hose, such as GH134W Multi-Refrigerant hose. Be sure the cut is made square to the hose length.



Step 2. Slip on Two Clips

Install two proper-sized clips onto the cut end of the hose. Orientation of the clips does not affect the performance of the connection. However, for ease of assembly, both clips should have the same orientation.

NOTE: Failure to slide the clips over the hose at this time will require the clips to be stretched over the hose or fitting later. This may permanently damage the clip.



Step 3. Oil the Nipple

Lubricate the nipple with a generous amount of the refrigeration or A/C system's compressor lubricating oil. This **MUST** be done to lower the force of nipple insertion.



Step 4. Insert the Nipple into the Hose

To ensure that the nipple is fully inserted, check the gap between the cut end of the hose and the shoulder on the nipple. Care should be taken to avoid kinking or other damage to the hose during nipple insertion.

NOTE: Be sure to wipe excess oil from the nipple and hose.



Step 5. Snap on the Cage

Snap the cage into the groove on the nipple. The arms should extend over the hose length. When the cage has been correctly installed in the cage groove, the cage will be able to rotate in the groove. This step **MUST** be performed to ensure:

1. The clips will be located over the O-rings on the nipple.
2. The connection will be compatible with the connection's pressure rating.



E-Z Clip System™ - Assembly Instructions (cont.)

Step 6: Slide the Clips

Slide the clips over the cage arms and into the channels on each arm

Step 7: Close the Clips

Use the FT1357 pliers to close the clips. The pliers should be positioned squarely on the clip connection points and should remain square during the closing of the clip.

The nose of the pliers should be firmly seated under the assembly bump and lock latch.

For easiest assembly, the clasp should be closed between the cage arms. If the pliers are not kept square during closing of the clip, the clasp may have an offset. Use the pliers to correct the clasp alignment.

Notice: E-Z Clip components should not be reused.

CAUTION

Failure to follow these assembly instructions and/or the use of Weatherhead hose with Hose Ends supplied by other manufacturers may result in unreliable and unsafe hose assemblies, which may result in sudden or unintended escape of refrigerant gases. Personal injury and/or violations of EPA regulations may occur as a consequence.

Eaton recommends adherence to all guidelines, including EPA guidelines, concerning the service of refrigerant systems.



For easiest assembly, the clasp should be closed between the cage arms.



Correct



Incorrect



Incorrect

Correct



WARNING

Selection of Hose

Selection of the proper Weatherhead hose for the application is essential to the proper operation and safe use of the hose and related equipment. Inadequate attention to selection of the hose for your application can result in hose leakage, bursting, or other failure which can cause serious bodily injury or property damage from spraying fluids or flying projectiles. In order to avoid serious bodily injury or property damage resulting from selection of the wrong hose, you should carefully review the information in this catalog. Some of the factors which are involved in the selection of the proper hose are:

- hose size
- hose length
- hose ends
- fluid conveyed
- bends
- temperature
- hose pressure
- static head pressure
- installation design

These factors and the other information in this catalog should be considered by you in selecting the proper hose for your application. Further information on proper hose selection is described in SAE Recommended Practice J1273.

If you have any questions regarding the proper hose for your application, please contact Eaton at 1-888-258-0222.

Proper Selection of Hose Ends

Selection of the proper Weatherhead end fittings for the hose end application is essential to the proper operation and safe use of the hose and related equipment.

Inadequate attention to the selection of the end fittings for your application can result in hose leakage, bursting, or other failure which can cause serious bodily injury or property damage from spraying fluids or flying projectiles. In order to avoid serious bodily injury or property damage resulting from selection of the wrong end fitting, you should carefully review the information in this catalog. Some of the factors which are involved in the selection of the proper hose ends are:

- fluid compatibility
- temperature
- installation design
- hose size
- corrosion requirements
- fluid conveyed

These factors and the other information in this catalog should be considered by you in selecting the proper hose end fitting for your application.

If you have any questions regarding the proper hose end for your application, please contact Eaton at 1-888-258-0222.

Hose Installation

Proper installation of the hose is essential to the proper operation and safe use of the hose and related equipment. Improper installation of the hose can result in serious injury or property damage caused by spraying fluids or flying projectiles. In order to avoid serious bodily injury or property damage resulting from improper installation of the hose, you should carefully review the information in this catalog regarding hose installation. Some of the factors you must consider in installing the hose properly are:

- changes in length
- proper bend radius
- protection from elbows and adapters to relieve strain high temperature sources
- rubbing or abrasion
- twisting
- improper hose movement

These factors and the other information in this catalog regarding hose installation should be considered by you before installing the hose. Further information on proper hose installation is described in SAE Recommended Practice J1273.

If you have any questions regarding proper hose installation, please contact Eaton at 1-888-258-0222.



WARNING

Hose Maintenance

Proper maintenance of the hose is essential to the safe use of the hose and related equipment. Hose should be stored in a dry place. Hose should also be visually inspected. Any hose that has a cut or gouge in the cover that exposes the reinforcement should be retired from service. Hoses should also be inspected for kinking or broken reinforcement. If the outside diameter of the hose is reduced by 20% at the spot where it is kinked then the hose should be retired from service. Inadequate attention to maintenance of the hose can result in hose leakage, bursting, or other failure which can cause serious bodily injury or property damage from spraying fluids, flying projectiles, or other substances. Further information on proper hose maintenance is described in SAE Recommended Practice J1273.

Hose and Field Attachable Hose Ends

Weatherhead Hose and Field Attachable Hose Ends have been engineered and designed as a complete hose assembly system. Component compatibility along with the use of high quality components ensures the production of reliable hose assemblies when assembled properly. The use or intermixing of ends and hose not specifically engineered and designed for use with each other may result in the production of unsafe or unreliable hose assemblies. This can result in hose assembly leakage, hose separation or other failures which can cause serious bodily injury or property damage from spraying fluids, flying projectiles, or other substances. The Weatherhead warranty is limited to apply only when Weatherhead Field Attachable Hose Ends are used on compatible Weatherhead hose.

Coll-O-Crimp Hose, Hose Ends and Assembly Equipment Compatibility

The Coll-O-Crimp Equipment Package, Coll-O-Crimp Hose Ends and Coll-O-Crimp Hose have been engineered and designed as a complete hose assembly system. Each component of the Coll-O-Crimp hose assembly system is compatible with other Coll-O-Crimp components to which it relates. Component compatibility, along with the use of high quality components, ensures the production of reliable hose assemblies when assembled properly. The use or intermixing of fittings and hose not specifically engineered and designed for use with each other and Coll-O-Crimp equipment is not recommended and may result in the production of unsafe or unreliable hose assemblies. This can result in hose assembly leakage, hose separation or other failures which can cause serious bodily injury or property damage from spraying fluids, flying projectiles, or other substances. The Weatherhead warranty is limited to apply only when Coll-O-Crimp Hose Ends and compatible Coll-O-Crimp Hose are used with Coll-O-Crimp assembly equipment.

Notes

Notes

Eaton
Hydraulics Business USA
14615 Lone Oak Road
Eden Prairie, MN 55344
USA
Tel: 952-937-9800
Fax: 952-294-7722
www.eaton.com/hydraulics

Eaton
Hydraulics Business Europe
Route de la Longeraie 7
1110 Morges
Switzerland
Tel: +41 (0) 21 811 4600
Fax: +41 (0) 21 811 4601

Eaton
Hydraulics Group Asia Pacific
Eaton Building
4th Floor, No. 3 Lane 280 Linhong Rd.
Changning District
Shanghai 200335
China
Tel: (+86 21) 5200 0099
Fax: (+86 21) 5200 0400