

EATON

Cutler-Hammer

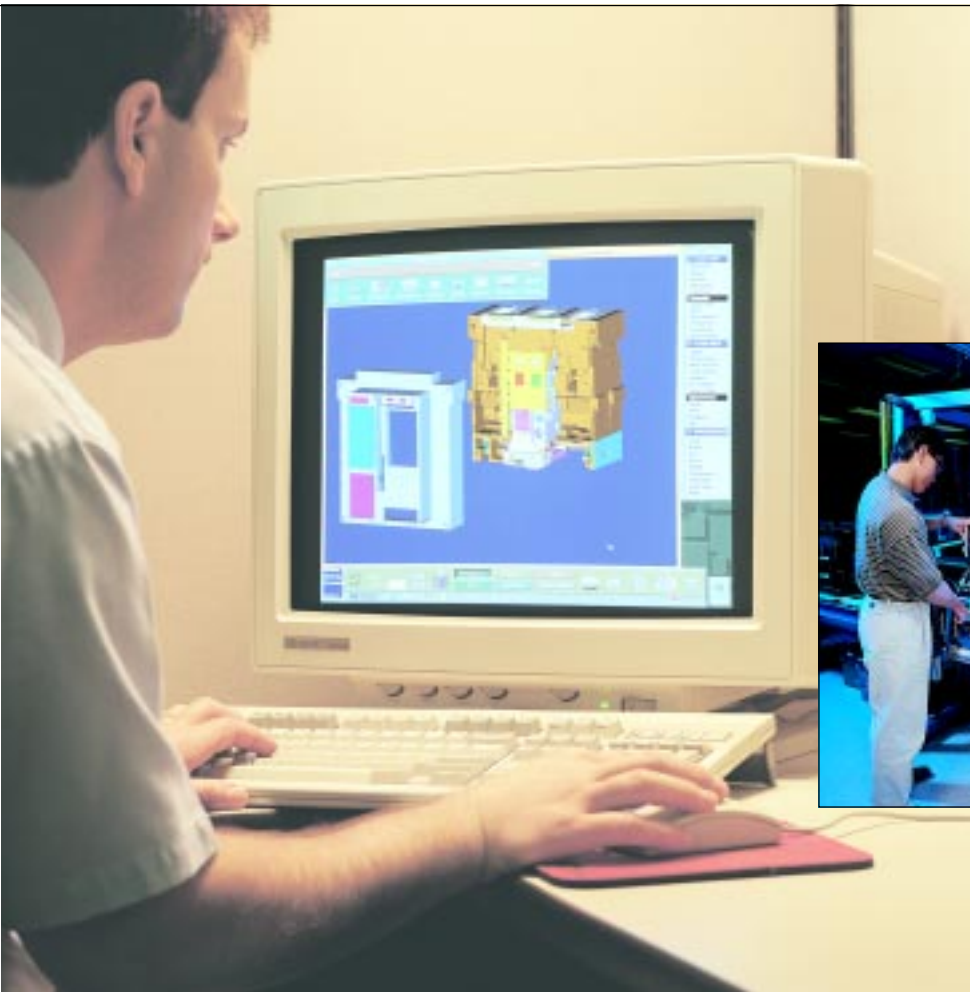
Magnum IEC Low Voltage Air Circuit Breakers

Product Focus

Up to 690 Vac
42 kA to 100 kA Icu
800 to 6300 Amperes
EN 60947-2



A Global Source for Innovative Electrical Power Distribution Solutions



Proven Performance...Time and Again

For over 70 years, Eaton's Cutler-Hammer business has designed, engineered and manufactured low voltage circuit breakers and trip units for the global market. Our revolutionary product developments and solutions continue to set the standard for quality, reliability, and extended operating life.

We are an industry leader in air circuit breaker technology innovations such as the first solid-state trip unit, the first microprocessor-based trip unit, zone selective interlocking, and the DE-ION® arc extinguisher design, providing superior arc quenching characteristics.

Expanded Capabilities...in Less Space

The advanced arc running system enables Magnum to control the arc direction, while also providing for higher interrupting capacity in a smaller space.

Increased ratings in less space provide the flexibility to design more robust electrical distribution systems capable of handling larger available fault currents, and providing better coordination with downstream devices.

Magnum breakers are designed for use in low voltage assemblies: switchgear, switchboards, motor control centers, and transfer switch equipment.

Safety First

Much consideration was given to operator safety and system security. See the features that optimize safety:

- Improved C-loop current path design provides dramatic enhancements in both safety and efficiency.
- Higher current ratings increase the blow-on forces on the contact surfaces, allowing the proper downstream protective device to open, isolating the fault and increasing uptime.
- Positive On is indicated on the breaker faceplate. This unique interlocking feature prevents the levering door from being opened if the contacts are welded, protecting personnel from exposure to live primary contacts. Making current release prevents the breaker from closing in on a fault with peak current exceeding 25 times the RMS nominal current.
- Keyed sensor plugs ensure error-free installation of the sensor in the field.
- Deadfront faceplate isolates the operator from the primary voltage when the breaker is energized.
- Anti-pump prevents any attempts to reclose the breaker on a short circuit fault if the close signal (mechanical or electrical) is maintained.

*Cutler-Hammer Circuit Breakers...
with the Customer in Mind!*

High Withstand Ratings... in a Compact Size

Cutler-Hammer innovations meet the needs of today's modern air circuit breakers:

- The capability to design more flexible systems that can withstand larger available fault currents.
- Better coordination with downstream devices.
- Reduced size of the switchgear assembly.
- Integrally designed breaker levering mechanism and cassette for draw-out breaker with clear indication of connect, test, and disconnect positions.

Meeting the Challenge

Magnum breakers are engineered specifically for use in low voltage assemblies applied at nominal voltages of 380/415, 440, and 500/690 Vac. Ten continuous ratings – 800 A through 6300 A – are covered with two frame sizes. A third, new Narrow Frame design, allows even greater space savings than ever before. Draw-out and fixed mounting units are available in 3- or 4-pole designs.

Controls and indicators are conveniently grouped on the breaker's front escutcheon where they can be easily viewed and accessed through a cutout door.

High Withstand Ratings. Magnum provides high interruption and withstand ratings in a small physical size.

Through-the-Door Design. All controls, indicators, and the trip unit are visible and can be safely accessed without opening the compartment door.

Common Height and Depth. All three Magnum frame sizes have the same identical height and depth to facilitate standardized designs in low voltage panel systems.

Complete Trip Unit Family. A full range of Digitrip® programmable and electronic trip units has been expanded to offer customers a choice of protection, information, and communication capabilities to meet specific requirements.



- 1 Integral Arc Hood
- 2 Front Mounted Secondary Contacts
- 3 Trip Flag (Optional)
- 4 Three Accessory Windows
- 5 Spring Status Indicator (Charged or Discharged)
- 6 Contact Status Indicator (Open or Closed)
- 7 Digitrip RMS Trip Unit
- 8 "Push On" to Close Breaker Button
- 9 "Push Off" to Open Breaker Button
- 10 Manual Charging Handle
- 11 Drawout Cassette
- 12 Optional Operations Counter
- 13 Optional "Off" Key Lock
- 14 Integral Padlockable Levering Device
- 15 Colour-Coded Breaker Position Indicators



Rear view of integrally-designed cassette showing generous spacing for customer bus connections.



The independently operated and lockable shutter design provides a safe environment when the breaker is removed from the cassette.

Characteristics Table



MWN Narrow Frame



MWI Standard Frame



MWI Double-wide Frame

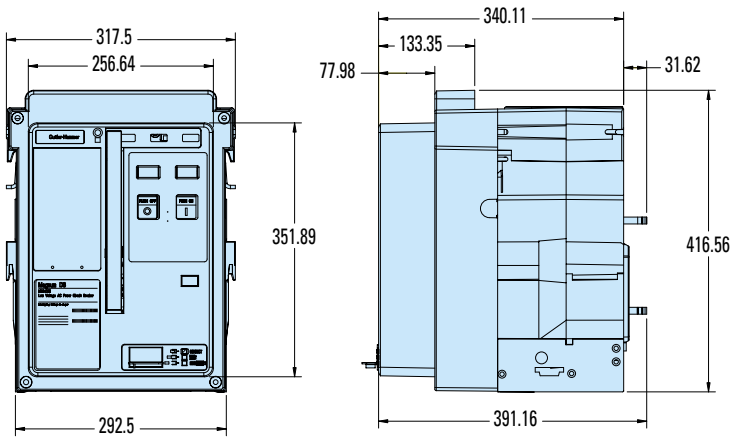
Magnum Characteristics, Dimensions and Weights

Magnum Frame		Narrow Frame (MWN)			Standard Frame (MWI)				Double-Wide Frame (MWI)		
Circuit Breaker Characteristics ① ② Continuous Current Rating (Amps at 40°C)		800	800	800	800	~	800	800	4000	4000	4000
		1000	1000	1000	1000	~	1000	1000		5000	5000
		1250	1250	1250	1250	~	1250	1250		6300	6300
		~	1600	1600	1600	~	1600	1600			
		~	2000	2000	~	2000	2000	2000			
					~	2500	2500	2500			
				~	3200	3200	3200				
Interrupt Ratings at 690 Vac Icu/Ics (kA rms)		40/40	50/50	65/65	65/65	65/65	85/85	100/85 ⑦	65/65	85/85	100/100
Withstand Rating Icw 1-sec/3-sec (kA rms)		40/~	50/~ ③	65/40	65/~	65/50	85/65	85/65	65/~	85/~	100/~
Maximum Break Time (msec)		30			30				40		
Maximum Closing Time (msec)		50			50				70		
Circuit Breaker Dimensions (mm) ⑤											
Fixed	Height	425.7			425.7				425.7		
	Depth	371.9			371.9				371.9		
	Width (3-pole)	317.7			410.2				886.5		
	Width (4-pole)	413			537.2				1120		
Drawout	Height	524.3			524.3				524.3		
	Depth	474.2			474.2				474.2		
	Width (3-pole)	336			431.8				909		
	Width (4-pole)	431.3			558.8				1036		
Circuit Breaker Weight (kg) ⑤											
Fixed	(3-pole)	43			58 to 68				107.5	125.2	
	(4-pole)	54			72 to 86				144.7	163.3	
Drawout	(3-pole)	48			70 to 86				138.8	157.4	
	(4-pole)	62			88 to 112				166	200	
Cassette	(3-pole)	28			53 to 56				90.3	96.2	
	(4-pole)	32			55 to 68				113.4	120.7	
Non-Auto Switch Characteristics											
Maximum Interrupt Ratings at 690 Vac Icu/Ics (kA rms)		40/40	50/50	65/65	65/65	65/65	85/85	⑦	65/65	85/85	100/100
Withstand Ratings Icw 1-sec/3-sec (kA rms)		40/~	50/~ ③	65/40	65/~	65/50	85/65	⑦	65/~	85/~	100/~
Continuous Current Range (Amps)		to 1250	to 2000	to 2000	to 1600	2000	to 2000	~	to 4000	to 4000	to 4000
Close and Latch Current (kA Peak) ⑥		43	55	69	55	55	69	~	138	138	138
Maximum Continuous Current Range (Amps)		~	~	~	~	2500&3200	2500&3200	~	~	5000&6000	5000&6000
Close and Latch Current (kA Peak) ⑥		~	~	~	~	110	110	~	~	217	217

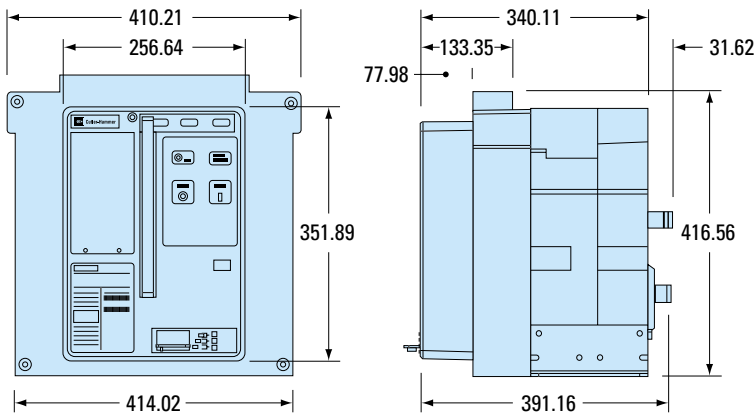
- ① = Circuit breakers equipped with integral trip units have a making current release set to trip instantaneously at 25 x In peak current to prevent closing on a fault current exceeding that magnitude.
- ② = Magnum ACB's carry an IT rating at 440 Vac per EN60947-2 Annex H. Contact The Cutler-Hammer business for 690 Vac IT applications.
- ③ = The Icw 1-sec/3-sec rating is 50/30 kA for 2000 amp MWN 50kA breaker.
- ④ = Standard frame circuit breakers rated 100kA are equipped with a high instantaneous trip set to protect above 85kA rms. Icu is 100kA and Ics is 85kA at 440 Vac. Icu and Ics are 85kA at 690 Vac.
- ⑤ = The approximate weights and dimensions shown are based on horizontal terminals.
- ⑥ = Close and latch ratings are applicable only to non-automatic switches. Non-automatic switches should be applied with a suitable external overcurrent device with instantaneous trip to protect above the published close and latch rating.
- ⑦ = The maximum available instantaneous interrupting rating for the standard frame non-automatic switch is 85kA.



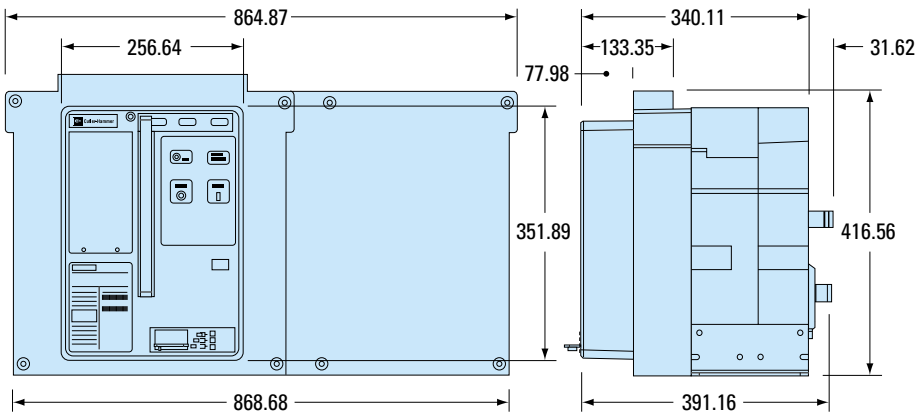
Magnum Air Circuit Breakers have common heights and depths to facilitate standardized designs in low voltage panel systems.



800-2000 Ampere Narrow Frame



800-3200 Ampere Standard Frame



4000-6300 Ampere Double Wide Frame

A Look Inside the Magnum

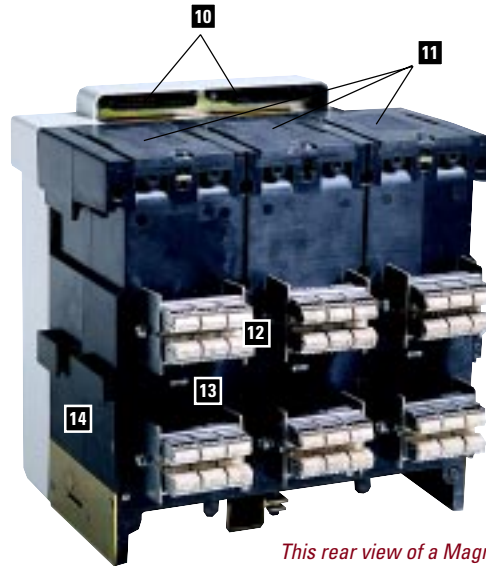
Designed for Easy Access, Inspection, and Minimal Maintenance

The stored energy mechanism, control devices, accessories, and secondary contacts are easily accessible by removing the front cover...held in place by four captive screws. For safety, this can only be done when the breaker is in the disconnect position or removed from the cell.

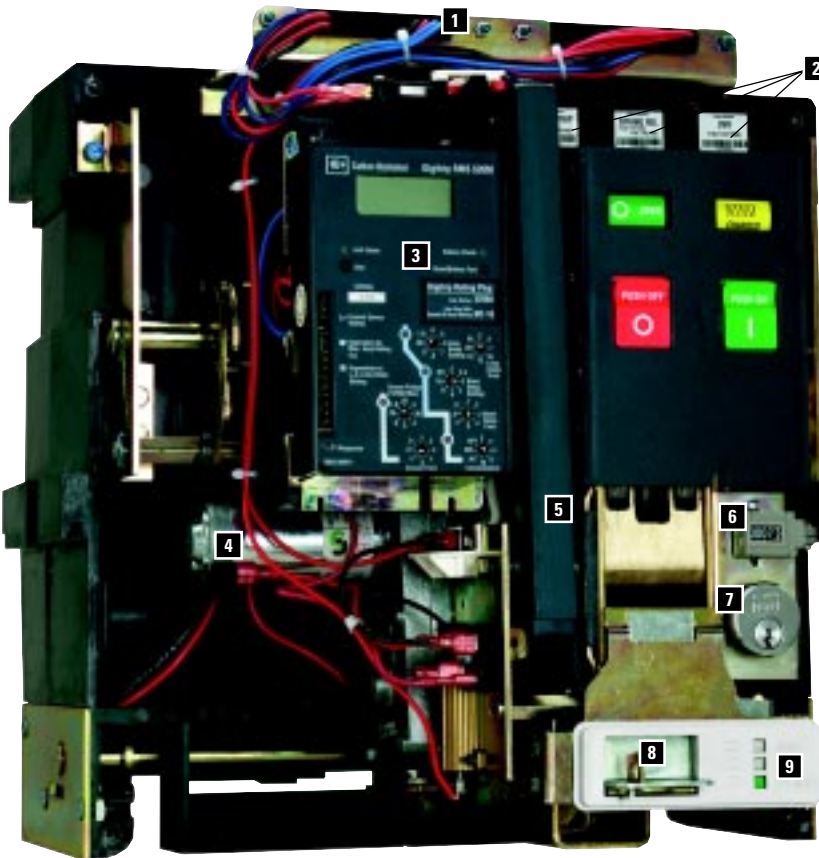
The current sensor viewing window on the rear of the breaker allows for easy identification of the current sensor mounted inside.

A contact wear indicator eliminates the need for elaborate testing to determine if the contact assembly needs replacing.

Many minor replacement functions involving the mechanism, control, and/or accessories can be easily accomplished.



This rear view of a Magnum drawout breaker shows the designed-in safety feature of locating the primary disconnects and secondary contacts on the removable breaker element for easy and safe inspection.



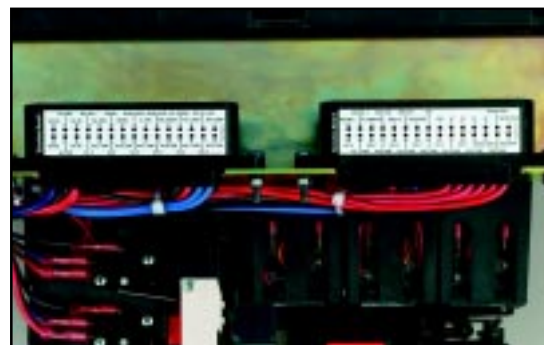
- 1 Secondary Wiring Points
- 2 Field Installable Accessories (Three Maximum)
- 3 Digitrip RMS Trip Unit
- 4 Optional Electric Charging Motor
- 5 Manual Charging Handle
- 6 Optional Operations Counter
- 7 Optional "Off" Key Lock
- 8 Padlockable Levering Device
- 9 Breaker Position Indicator
- 10 Secondary Contacts
- 11 Arc Chute Covers
- 12 Primary Finger Cluster Disconnects
- 13 Current Sensor Window
- 14 Rigid Frame Housing

Two-Step Stored Energy Mechanism for Manually and Electrically Operated Breakers

The potential energy is stored in the mechanism to close the breaker in five cycles or less. Sufficient energy to open the breaker remains available following the closing operation.

After closing, the charging spring can be recharged to provide potential energy for reclosing following a fault, providing high continuity of service. This feature allows for the following sequence: charge – close – recharge – open – close – open.

On manually operated breakers, closing springs are charged by hand. For electrically operated breakers, springs are charged by an electric motor but can be manually charged if no power is available.



Positioning of the secondary contact subassembly is dedicated for installation, maintenance, and testing. Top view shown with breaker cover removed, bottom of photo is front of breaker.

The Right Choice for Low Voltage Assemblies...Anywhere in the World.



Three Structure Widths Offer Greater Capacity in Less Space

The Magnum has been engineered to fit into three space-saving structure widths for 3-pole units. The Magnum breaker provides opportunities for more circuit breakers in less space. Reduced space means greater cost savings regarding assembly time, number of assembly structures, and final installation area.

Through-the-Door Design ensures User-Friendly Operation, Visual Indication, and Optimum Safety

Through-the-door design provides clear visual and physical access to the trip unit and ALL breaker controls and indicators...including open and close buttons, the open/close indicating flag, the charging handle, breaker interlock, and the spring charge/discharge flag. Even breaker levering is accomplished with the breaker compartment door closed.

For safety and security, the breaker compartment allows three breaker positions with the door closed: connect, test, and disconnect.

Extension rails can be padlocked to prevent a breaker from being inserted into a cell, a lock-out requirement when maintenance is being performed. This helps assure personnel safety and guarantees that no one can install a breaker and energise a circuit on which a person may be working.

Factory Installed or Available as Field-Installable Kits

Through-the-Window Accessories		
<p>Shunt Trip Provides remote controlled circuit breaker opening when energised by a voltage input.</p>	<p>Spring Release Remotely closes the breaker when its coil is energised by a voltage input.</p>	<p>Undervoltage Release (UVR) Trips the breaker remotely when an existing voltage signal is lost or drops below an established threshold.</p>

Internal Accessories		
<p>Auxiliary Switch Provides the capability to remotely indicate if the breaker is open or closed. Up to six N/O and six N/C auxiliary contacts are available for customer use.</p>	<p>Overcurrent Trip Switch (Bell Alarm) A set of N/O and N/C contacts that indicate when a breaker trips.</p>	<p>Electrical Operator An electric motor, internally mounted in the circuit breaker, that charges the closing springs automatically, facilitating remote or local closing.</p>



In the withdrawn position, the breaker can be removed from the cell on integral extension rails.



Finger-proof (IP20) secondary points with easy access for customer wiring.



All breakers can be padlocked to secure the breaker in all three positions. An optional key interlock (not shown) can also secure the breaker in each position.



The drawout breaker can be conveniently racked in or out, stopping at the various positions with the door closed.



The breaker spring charging handle is designed with sufficient space for operation even with a gloved hand.



■ CONNECT



■ TEST



■ DISCONNECT

Safety is enhanced by the through-the-door design that provides for three breaker positions with the door closed: connect, test, and disconnect.

A Common Family of Accessories for All Frame Sizes

We designed Magnum accessories to fit all frame sizes, thus reducing inventory parts and the possible confusion that can exist when various accessory sizes are required for individual breaker frames.

Magnum through-the-window accessories are installed in the right front of the breaker. The unique windows in the breaker cover enable accessories to be quickly identified by name and rating. Additional internal accessories include an auxiliary switch, over-current trip switch (alarm), and electrical motor operator.

Accessories are plug-in units that snap in place, providing for easy mounting and wiring to save both installation time and cost. This feature facilitates accessory changes and replacements by the installer or user personnel, eliminating the need for manufacturer modification or outside service companies.

Modular accessories are keyed for fast error-free mounting in the field. For example, the spring release unit can only be mounted in the centre cavity.

Convenient Secondary Contact Placement Facilitates Wiring and Maintenance

Secondary wiring points are located in the top front portion of each cell. A separate door can be used to cover the contacts so an operator can safely access them without opening the breaker compartment door. Customer contact points are dedicated to the customer's interface, totally free and isolated from factory connections.

The secondary terminals have standard finger-proof hinged covers, providing safety by protecting against accidental contact with live secondary contacts.

Covers are hinged for making connections and include a small access hole for circuit testing using a probe. Each secondary contact point is dedicated to a specific function, allowing standardised wiring diagrams and true electrical interchangeability of common size breakers. Standard wiring points help improve quality while reducing maintenance and inspection time for end customers.



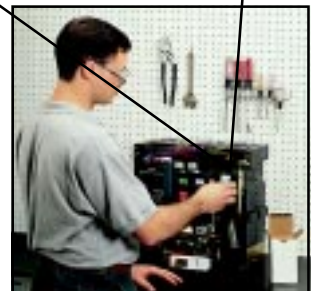
Viewable through-the-window electrical accessories are identically sized, yet keyed for error-free mounting.



The auxiliary switch is an internal accessory that provides remote electrical indication of the breaker status.



An electric motor automatically charges the closing springs. In absence of control power, the springs can be manually charged.



Magnum modular design allows customers to mount accessories in the field.

The Trip Unit Family

Protection and Information... The Digitrip Family Provides Choices Like No Other

Ever since introducing the first microprocessor-based trip unit, the Cutler-Hammer business has advanced the technology into a more complete family of Digitrip RMS Electronic and Programmable Trip Units designed and engineered exclusively for Magnum breakers. Magnum can also be supplied as a non-automatic switch.

Electronic Trip Units

- Digitrip RMS 220 provides long time and instantaneous protection only.
- Digitrip RMS 520*i* enables the user as many as nine phases and earth current protection settings for maximum flexibility in trip-curve shaping and multi-unit coordination, and adds earth fault current protection settings.
- Digitrip RMS 520M*i* adds phase, neutral, and Earth fault current metering...with a four-character LCD display window.
- Digitrip RMS 520MC*i* has the same features as the 520M*i*, but also includes communications.

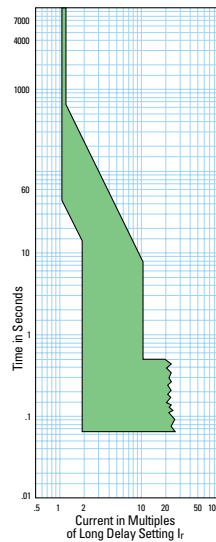


Programmable Trip Units

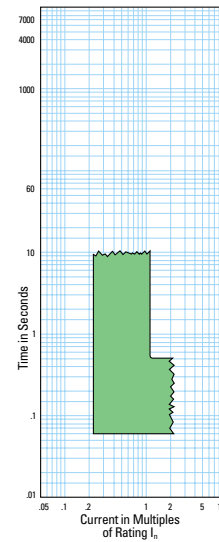
Digitrip RMS 1150*i* provides programmability for more sophisticated distribution systems including:

- Increased protection and coordination capabilities.
- Systems monitoring information including power factor, voltage current, harmonic distortion, values, and waveform capture with a three-line (8 characters per line) LED display.
- Two programmable contacts for customer use.
- Time stamping of trip events for improved troubleshooting and diagnostics.
- Accuracy of 1% on metered values and 2% on energy and power.
- Systems diagnostic information.
- INCOM and PowerNet communications.
- Allows for custom curve shaping or selectable IEC curves.

Digitrip 520/520M*i*
Long and Short Delay Curves



Digitrip 520/520M*i*
Ground Curve



Trip Unit Summary Table

Magnum Digitrip Trip Units

The next generation of proven Digitrip RMS Trip Units is available exclusively on Magnum Breakers. These true rms sensing trip units provide accurate coordination with the conductors and equipment the breaker is designed to protect.



Ampere Range	200 A-3200 A	200 A-6300 A	200 A-6300 A	200 A-6300 A	200 A-6300 A
Interrupting Rating at 690 V	40 through 100 kA	40 through 100 kA	40 through 100 kA	40 through 100 kA	40 through 100 kA
rms Sensing	Yes	Yes	Yes	Yes	Yes
Protection					
Ordering Options	LI	LSI, LSIG	LSI, LSIG, LSIA	LSI, LSIG, LSIA	LSI, LSIG, LSIA
Fixed Rate Plug (I_n)	Yes	Yes	Yes	Yes	Yes
Overtemperature Trip	Yes	Yes	Yes	Yes	Yes
Long Delay					
Long Delay Pickup	1.0 x (I_n) Fixed ②	0.4-1.0 x (I_n)	0.4-1.0 x (I_n)	0.4-1.0 x (I_n)	0.4-1.0 x (I_n)
Long Delay Time I^2t at 6 x I_r	10 seconds ②	2-24 Seconds	2-24 Seconds	2-24 Seconds	2-24 Seconds
Protection (L)					
Long Delay Time I^2t	No	No	No	No	1-5 Seconds
Long Delay Thermal Memory	Yes	Yes	Yes	Yes	Yes
High Load Alarm	No	No	No	No	0.5 - 1.0 x (I_r)
Short Delay					
Short Delay Pickup	No	200-1000% x (I_r) and M1	200-1000% x (I_r) and M1	200-1000% x (I_r) and M1	200-1000% x (I_r) and M1
Short Delay Time I^2t at 8 x I_r	No	100-500 ms	100-500 ms	100-500 ms	100-500 ms
Protection (S)					
Short Delay Time Flat	No	100-500 ms	100-500 ms	100-500 ms	100-500 ms
Short Delay Time ZSI	No	Yes	Yes	Yes	Yes
Instantaneous					
Instantaneous Pickup	200-1000% x (I_n)	200-1000% x (I_n) and M1	200-1000% x (I_n) and M1	200-1000% x (I_n) and M1	200-1000% x (I_n) and M1
Protection (I)					
Making Current Release	Yes	Yes	Yes	Yes	Yes
Off Position	No	Yes	Yes	Yes	Yes
Earth Fault					
Earth Fault Alarm	No	No	Yes	Yes	Yes
Earth Fault Pickup	No	25-100% x (I_n)	25-100% x (I_n)	25-100% x (I_n)	24-100% x (I_n)
Protection (G)					
Earth Fault Delay I^2t at .625 x I_n	No	100-500 ms	100-500 ms	100-500 ms	100-500 ms
Earth Fault Delay Flat	No	100-500 ms	100-500 ms	100-500 ms	100-500 ms
Earth Fault ZSI	No	Yes	Yes	Yes	Yes
Earth Fault Thermal Memory	No	Yes	Yes	Yes	Yes
Neutral Protection (N)	Yes	Model LSI Only	Model LSI Only	Model LSI Only	Model LSI Only
Cause of Trip LEDs	No ③	Yes	Yes	Yes	Yes
Magnitude of Trip Information	No	No	No	Yes	Yes
Remote Signal Contacts	No	No	Yes	Yes	Yes
Programmable Contacts	No	No	No	No	Yes
Digital Display	No	No	4 Char. LCD	4 Char. LCD	24 Char. LED
Current (%) Full Scale Sensor	No	No	Yes	Yes	Yes +/- 1%
Voltage (%) L to L	No	No	No	No	Yes
Power and Energy (%)	No	No	No	No	Yes
Apparent Power kVA and Demand	No	No	No	No	Yes
Reactive Power kVAR	No	No	No	No	Yes
Power Factor	No	No	No	No	Yes
Crest Factor	No	No	No	No	Yes
Power Quality - Harmonics	No	No	No	No	Yes
% THD	No	No	No	No	Yes
Type	No	No	No	INCOM/PowerNet	INCOM/PowerNet/Trip Link
Power Supply	N/A	N/A	PRM in Breaker	PRM in Breaker	PRM in Breaker ③
Trip Log (3 Events)	No	No	No	No	Yes
Electronic Operations Counter	No	No	No	No	Yes
Testing Method ①	Test Set	Test Set	Test Set	Test Set	Integral and Test Set
Waveform Capture	No	No	No	No	Yes

I_n = Rating Plug and Sensor Rating

I_r = Long Delay Pickup Setting

① = Test set for secondary injection

② = Digitrip Model 220+ will be introduced in second half of 2003. Long Delay Pickup will be adjustable from 0.4-1x(I_n). Long Delay Time will be adjustable from 2-24 seconds. Cause of Trip LEDs will be added with battery back up. Contact The Cutler-Hammer business for availability.

③ = Digitrip Model 1150i+ will be introduced in second half of 2003. New features will include over and under voltage alarm or trip, over and under frequency alarm or trip, voltage unbalance alarm or trip, and reverse power trip and phase rotation alarm. Contact The Cutler-Hammer business for availability and more details.

Eaton's Cutler-Hammer business is a worldwide leader providing customer-driven solutions. From power distribution and electrical control products to industrial automation, the Cutler-Hammer business utilizes advanced product development, world-class manufacturing, and offers global engineering services and support. To learn more about Eaton's innovative Cutler-Hammer products and solutions call 1-800-525-2000, for engineering services call 1-800-498-2678, or visit www.cutler-hammer.eaton.com.

Eaton Corporation is a global diversified industrial manufacturer with 2002 sales of \$7.2 billion that is a leader in fluid power systems; electrical power quality, distribution and control; automotive engine air management and fuel economy; and intelligent drivetrain systems for fuel economy and safety in trucks. Eaton has 51,000 employees and sells products in more than 50 countries. For more information, visit www.eaton.com.

Eaton Corporation
Cutler-Hammer business unit
1000 Cherrington Parkway
Moon Township, PA 15108-4312
United States
tel: 1-800-525-2000
www.cutler-hammer.eaton.com

EATON

Cutler-Hammer

© 2003 Eaton Corporation
All Rights Reserved
Printed in USA
Pub. No. BR01301003E / CCD 21117
June 2003