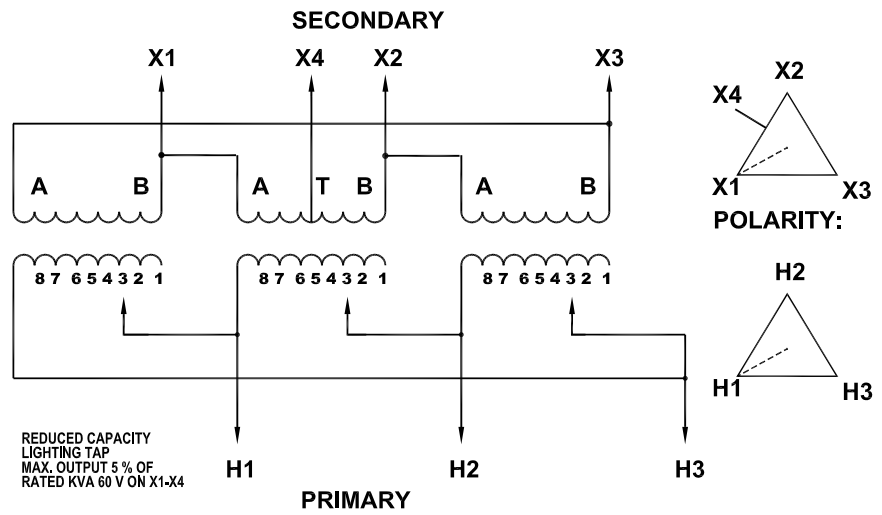


VOLTS	TAP
504	1
492	2
480	3
468	4
456	5
444	6
432	7



•	
•	
•	
•	
•	

THE INFORMATION ON THIS DOCUMENT IS CREATED BY CUTLER-HAMMER. IT IS DISCLOSED IN CONFIDENCE AND IS ONLY TO BE USED FOR THE PURPOSE IN WHICH IT IS SUPPLIED.	DFTR A. CISNEROS	DATE 9/17/03	Cutler-Hammer Juarez, Mexico			
	APPD C. ROMO	DATE 9/17/03		TITLE DRY TYPE TRANSFORMER TRANSFORMER WIRING DIAGRAM #282R		
	S.O.			TYPE TRANSFORMER		
FEDERAL ID NO	PRODUCT CODE TRANSFORMERS	REVISION 01	DWG SIZE A	G.O.	DWG 282R	SHEET 01 OF 01