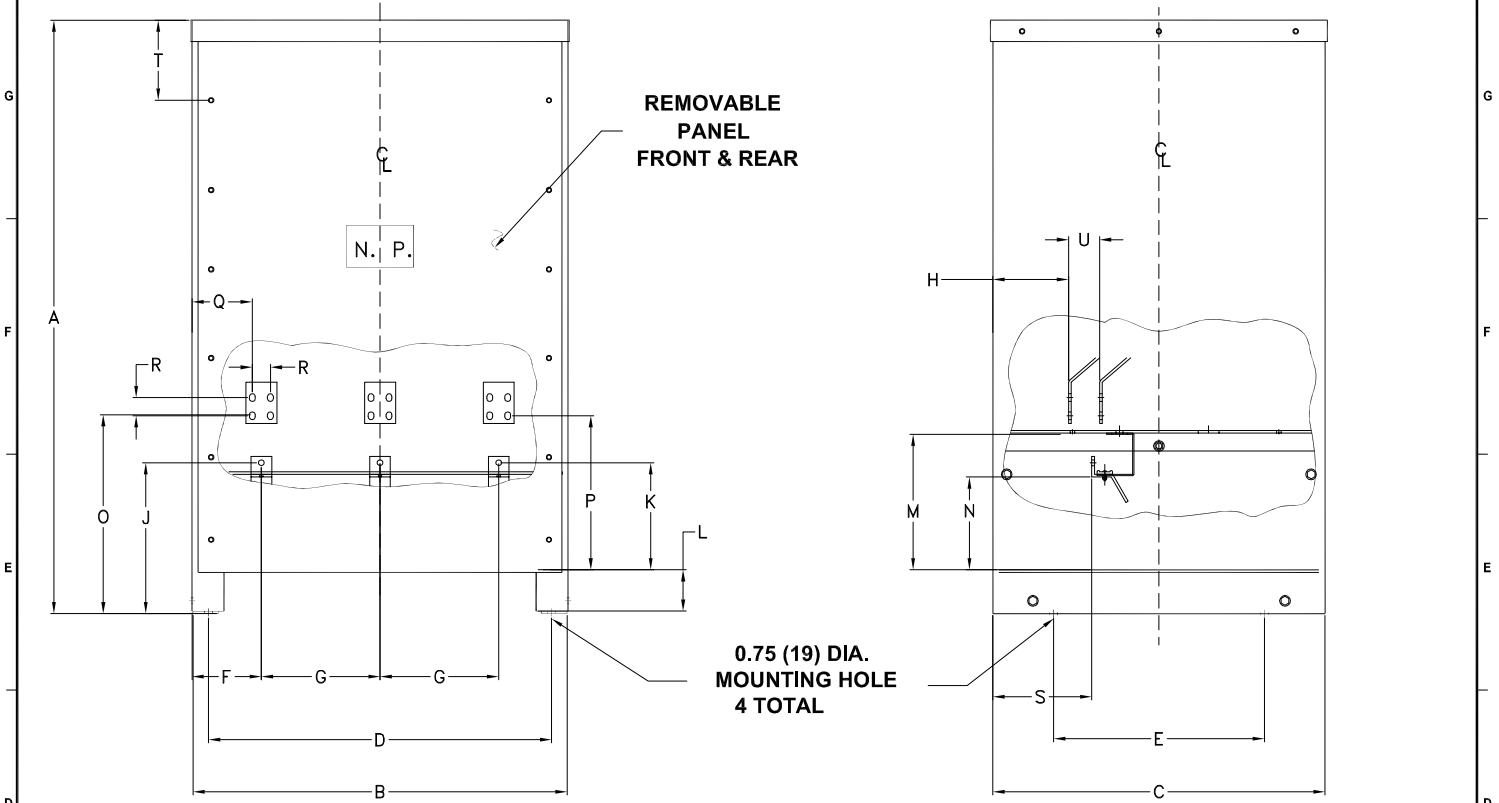


NOTES:

1. ALL UNITS ARE DESIGNED IN ACCORDANCE WITH APPLICABLE NEMA, UL, ANSI, AND IEEE STANDARDS.
2. DRY-TYPE TOTALLY ENCLOSED NON VENTILATED, CLASS AA, NEMA TYPE 3R ENCLOSURE

3. TRANSFORMERS ARE FLOOR MOUNTED.
4. 220°C CLASS INSULATION SYSTEM.
5. PAINT COLOR IS ANSI #61.
6. ALUMINUM UNITS HAVE ALUMINUM WINDINGS AND TERMINATIONS. COPPER UNITS HAVE COPPER WINDINGS AND TERMINATIONS.



This Frame is not California's OSHPD certified, contact TRC for compliant frame information.

THIS DIMENSION DRAWING IS FOR REFERENCE ONLY. IT IS NOT TO BE REGARDED AS INDICATING THE EXACT DETAILS OF CONSTRUCTION.

DIMENSIONS IN INCHES (mm)

FRAME	A	B	C	D	E	F	G	H
FR923N	57.50(1460)	36.25(921)	32.18(817)	33.25(845)	20.42(519)	6.72(171)	11.50(292)	7.34(186)
	J	K	L	M	N	O	P	Q
	14.63(372)	10.38(264)	4.00(102)	13.13(334)	9.00(229)	19.18(487)	14.93(379)	5.84(148)
	R	S	T	U				
	1.75(44)	9.59(243)	6.00(152)	3.7(94)				

PRODUCT CODE: TRANSFORMER		FEDERAL ID NO.		DFTR S.CASTRO	DATE 06/26/07	THE INFORMATION ON THIS DOCUMENT WAS CREATED BY EATON CORPORATION. IT WAS DISCLOSED IN CONFIDENCE AND IS ONLY TO BE USED FOR THE PURPOSE IN WHICH IT WAS SUPPLIED.	EATON	
06	CLEAN DWG & UPDATE REVISION ECO-049980	M. RDZ	C.BADILLO	16/04/13	APPD C.BADILLO			DATE 06/26/07
04	Agregar Leyenda OSHPD ECN068605	ANAVA	C.BADILLO	12/10/12	S.O.		TYPE DRY TIPE TRANSFORMER	OUTLINE
REV	DESCRIPTION	DFTR	APPD	DATE	REVISION 06	G.O.	DWG FR923N	SHEET 1 OF 01