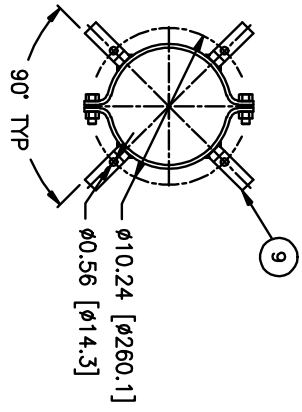
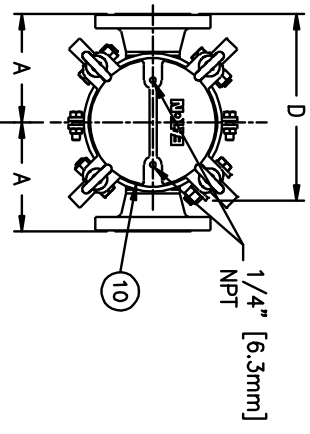


ITEM NUMBER	VESSEL CODE	BAG SIZE	A IN. / MM	B IN. / MM	C IN. / MM	D IN. / MM	E IN. / MM	F IN. / MM	G IN. / MM	FLOW RATE GPM (MAX)	WEIGHT LBS / KGS
SBL102CC3AS0BSP0	FBF2-0102-CS10-030A-1	02	7.08 / 180	33.78 / 858	40.41 / 1026	12.15 / 309	66.50 / 1689	19.10 / 485	7.68 / 195	180	79 / 35.9

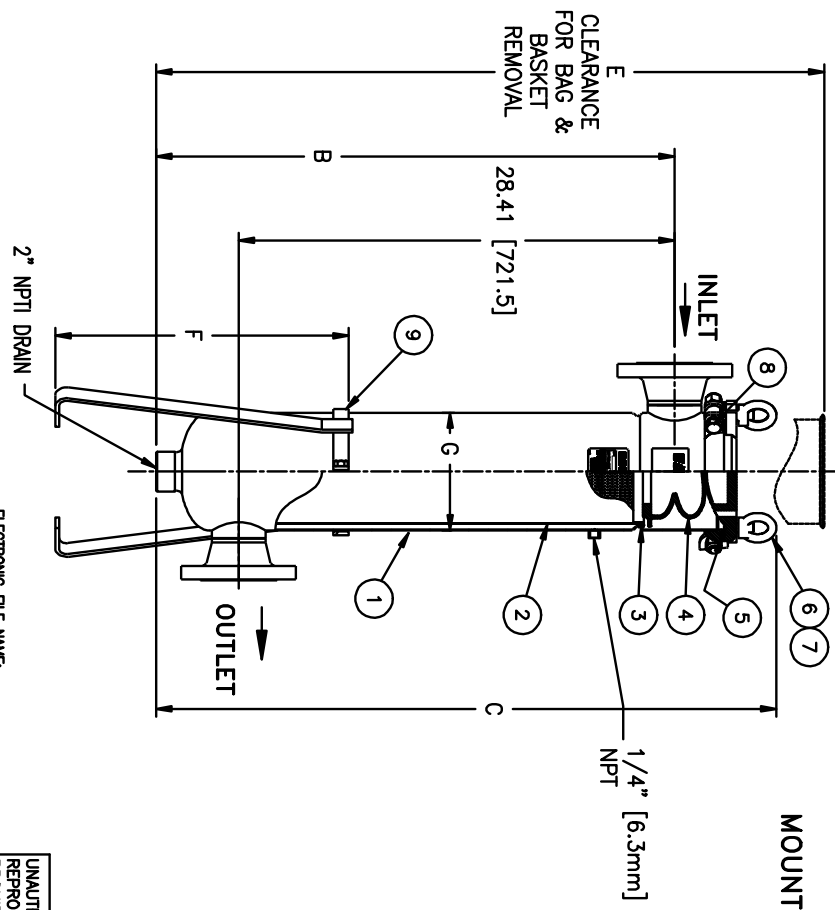


MOUNTING DETAIL

NO.	PART NAME	MATERIAL
1	BODY	CARBON STEEL
2	RESTRAINER BASKET	316 STAINLESS STEEL
3	BASKET O-RING	BUNA-N
4	BAG HOLD DOWN	KYNAR PUDF
5	O-RING	BUNA-N
6	EYE BOLT	STEEL, ZINC PLATED
7	EYE NUT	STEEL, ZINC PLATED
8	BOLT	STEEL, ZINC PLATED
9	LEGS	CARBON STEEL
10	COVER	CARBON STEEL

NOTES:

1. INLET/OUTLET FLANGED CONNECTIONS PER ANSI B16.5
2. MAWP: 150 PSI @ 250° F (-20° F @ 150 PSI (10.3 BAR @ 121.1° C) (-28.9° C @ 10.3 BAR) MIDMT:
3. MAXIMUM OPERATING TEMP. 250° F (121.1° C)
4. PAIN C/STL. PER EATON SPECIFICATION ES-301.



ELECTRONIC FILE NAME: FBF202XCF-31.dwg
 REF. EOR DATE 02/10/10

UNAUTHORIZED USE, MANUFACTURE OR REPRODUCTION IN WHOLE OR IN PART IS PROHIBITED. DRAWING, DESIGN AND OTHER DISCLOSURES PROPERTY OF EATON FILTRATION, LLC

<p>EATON</p> <p>70 WOOD AVENUE SOUTH, ISELIN, NEW JERSEY 08830</p>		<p>EATON FILTRATION, LLC</p> <p>NAME: FLOWLINE II FILTER VESSEL 3" 150# FLANGED CONNECTION CARBON STEEL</p>	
DRAWN	MAQ	DATE	CERT.
SIZE	DWG NO	DATE	
A		FBF202XCF-31	
REV			A