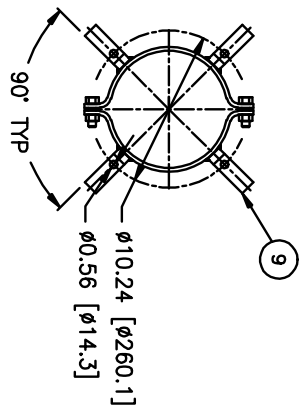
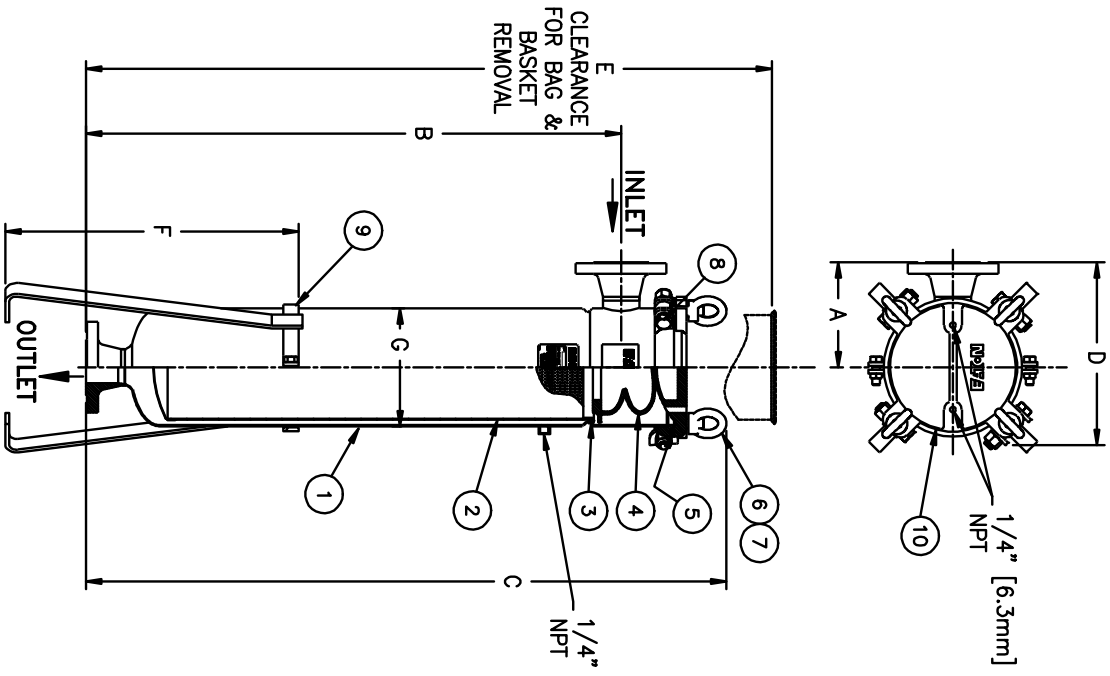


| ITEM NUMBER | VESSEL CODE | BAG SIZE | A IN. / MM | B IN. / MM | C IN. / MM | D IN. / MM | E IN. / MM | F IN. / MM | G IN. / MM | FLOW RATE GPM (MAX) | WEIGHT LBS / KGS |
|-----------------|---------------------|----------|------------|-------------|--------------|-------------|--------------|-------------|------------|---------------------|------------------|
| SBL101S62ASBSP0 | FBF2-0101-AB10-020A | 01 | 6.84 / 174 | 19.67 / 500 | 26.54 / 674 | 11.92 / 303 | 34.44 / 875 | 19.10 / 485 | 7.68 / 195 | 90 | 37 / 16.8 |
| SBL102S62ASBSP0 | FBF2-0102-AB10-020A | 02 | 6.84 / 174 | 34.83 / 885 | 41.70 / 1059 | 11.92 / 303 | 67.52 / 1715 | 19.10 / 485 | 7.68 / 195 | 180 | 50 / 22.7 |



MOUNTING DETAIL

| NO. | PART NAME | MATERIAL |
|-----|-------------------|---------------------|
| 1 | BODY | 316 STAINLESS STEEL |
| 2 | RESTRAINER BASKET | 316 STAINLESS STEEL |
| 3 | BASKET O-RING | BUNA-N |
| 4 | BAG HOLD DOWN | KYNAR PUDF |
| 5 | O-RING | BUNA-N |
| 6 | EYE BOLT | STEEL, ZINC PLATED |
| 7 | EYE NUT | STEEL, ZINC PLATED |
| 8 | BOLT | STEEL, ZINC PLATED |
| 9 | LEGS | CARBON STEEL |
| 10 | COVER | 316 STAINLESS STEEL |

NOTES:

1. INLET/OUTLET FLANGED CONNECTIONS PER ANSI B16.5
2. MAWP: 150 PSI @ 250° F (-20° F @ 150 PSI (10.3 BAR @ 121.1° C) (-28.9° C @ 10.3 BAR) MIDMT:
3. MAXIMUM OPERATING TEMP. 250° F (121.1° C)

CERTIFIED FOR:
P.O. NO.:
SALES ORDER NO.:
QUANTITY:
TAG NO.:
FILTER BAG:

EATON
EATON FILTRATION, LLC
70 WOOD AVENUE SOUTH, ISELIN, NEW JERSEY 08830

NAME: FLOWLINE II FILTER VESSEL
2" 150# FLANGED CONNECTION
STAINLESS STEEL

| SIZE | DWG NO | DATE | CERT. | DATE | REV |
|------|--------|----------|-------|------|-----|
| A | | 02/09/10 | | | A |

ELECTRONIC FILE NAME: FBF211XSF.dwg
REF. EOR DATE 02/09/10

UNAUTHORIZED USE, MANUFACTURE OR REPRODUCTION IN WHOLE OR IN PART IS PROHIBITED. DRAWING, DESIGN AND OTHER DISCLOSURES PROPERTY OF EATON FILTRATION, LLC

FBF211XSF