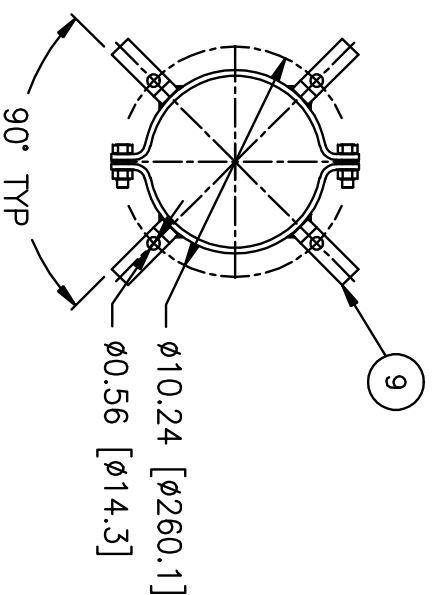
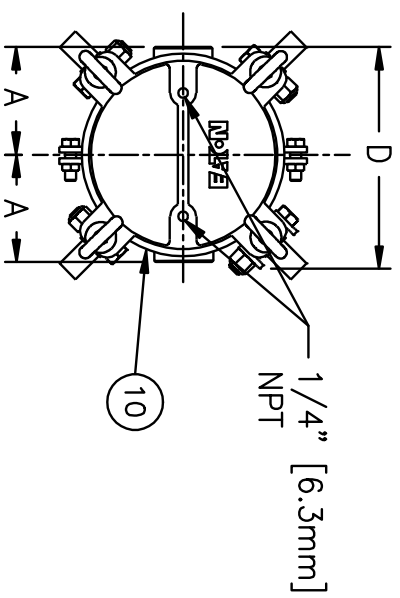
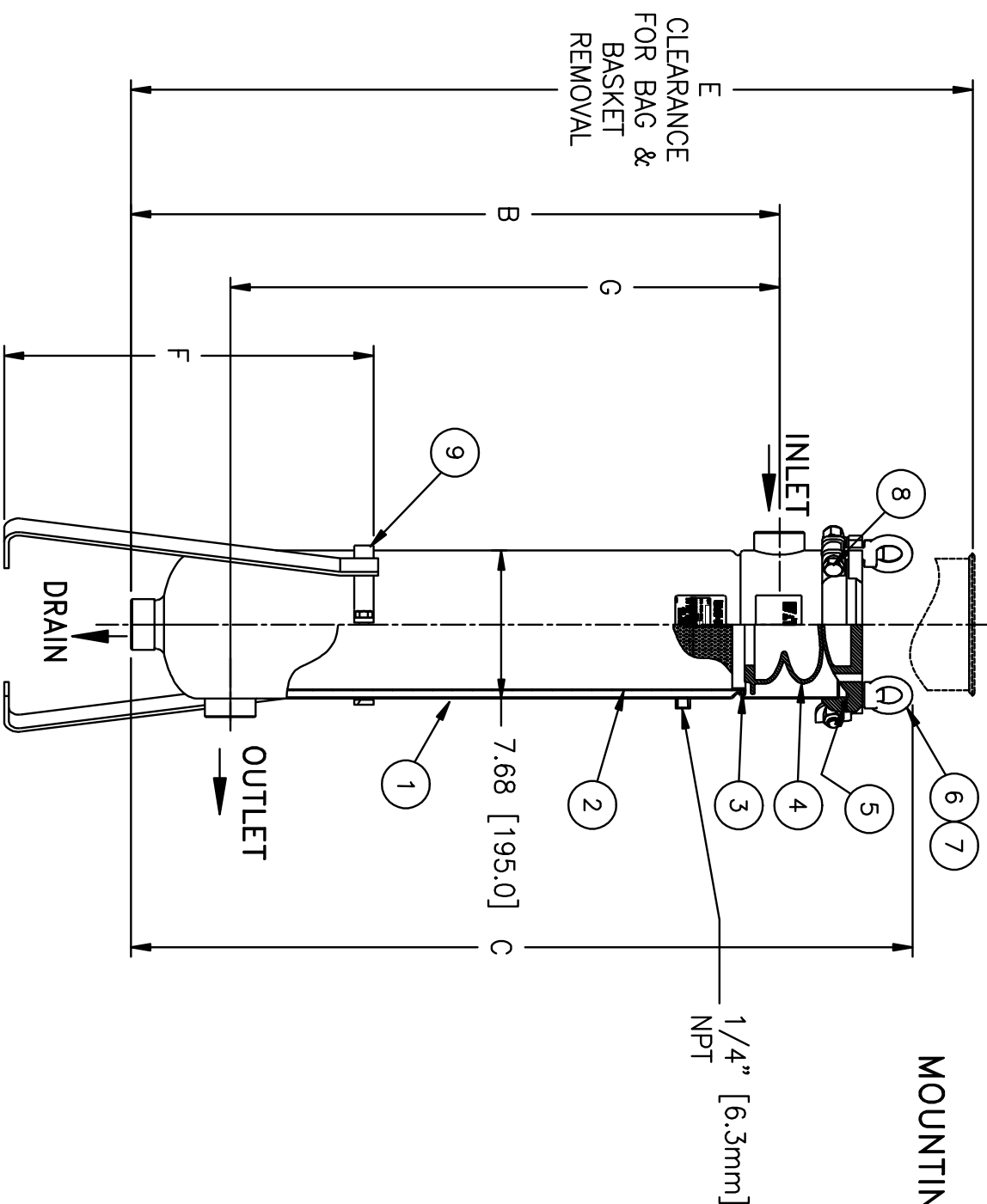


| ITEM NUMBER | VESSEL CODE | BAG SIZE | A IN. / MM | B IN. / MM | C IN. / MM | D IN. / MM | E IN. / MM | F IN. / MM | G IN. / MM | FLOW RATE GPM (MAX) | WEIGHT LBS / KGS |
|-------------------|-----------------------|----------|---------------|---------------|---------------|---------------|---------------|---------------|---------------|------------------------|---------------------|
| SBL101S62NSOBSBP0 | FBF2-0101-AB10-020N-1 | 01 | 4.80 / 122 | 18.39 / 467 | 25.25 / 641 | 9.88 / 251 | 35.55 / 903 | 19.10 / 485 | 11.5 / 292 | 90 | 37 / 16.8 |
| SBL102S62NSOBSBP0 | FBF2-0102-AB10-020N-1 | 02 | 4.80 / 122 | 33.55 / 852 | 40.41 / 1026 | 9.88 / 251 | 66.50 / 1689 | 19.10 / 485 | 28.4 / 721 | 180 | 50 / 22.7 |



| NO. | PART NAME | MATERIAL |
|-----|-------------------|---------------------|
| 1 | BODY | 316 STAINLESS STEEL |
| 2 | RESTRAINER BASKET | 316 STAINLESS STEEL |
| 3 | BASKET O-RING | BUNA-N |
| 4 | BAG HOLD DOWN | KYNAR PVDF |
| 5 | O-RING | BUNA-N |
| 6 | EYE BOLT | STEEL, ZINC PLATED |
| 7 | EYE NUT | STEEL, ZINC PLATED |
| 8 | BOLT | STEEL, ZINC PLATED |
| 9 | LEGS | CARBON STEEL |
| 10 | COVER | 316 STAINLESS STEEL |

MOUNTING DETAIL



NOTES:

1. INLET/OUTLET/DRAIN ARE 2" NPTI CONNECTIONS
2. MAWP: 150 PSI @ 250° F (10.3 BAR @ 121.1° C) MDMT: -20° F @ 150 PSI (-28.9° C @ 10.3 BAR)
3. MAXIMUM OPERATING TEMP. 250° F (121.1° C)

CERTIFIED FOR:
P.O. NO.:
SALES ORDER NO.:
QUANTITY:
TAG NO.:
FILTER BAG:



EATON FILTRATION, LLC
70 WOOD AVENUE SOUTH, ISELIN, NEW JERSEY 08830

NAME
**FLOWLINE II FILTER VESSEL
2" NPT THREADED CONNECTION
STAINLESS STEEL**

| | | | | | |
|-------|-----|------|----------|-------|------|
| DRAWN | MAQ | DATE | 02/11/10 | CERT. | DATE |
|-------|-----|------|----------|-------|------|

| | | | |
|------|-----|----|-----|
| SIZE | DWG | NO | REV |
| A | | | A |

FBF211XS-DPSO

ELECTRONIC FILE NAME:
FBF211XS-DPS0.dwg
REF. ECR DATE 02/11/10

UNAUTHORIZED USE, MANUFACTURE OR REPRODUCTION IN WHOLE OR IN PART IS PROHIBITED. DRAWING, DESIGN AND OTHER DISCLOSURES PROPERTY OF EATON FILTRATION, LLC