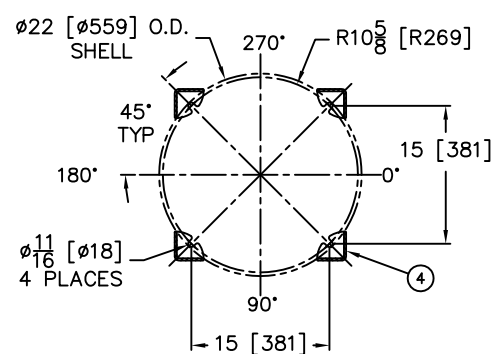
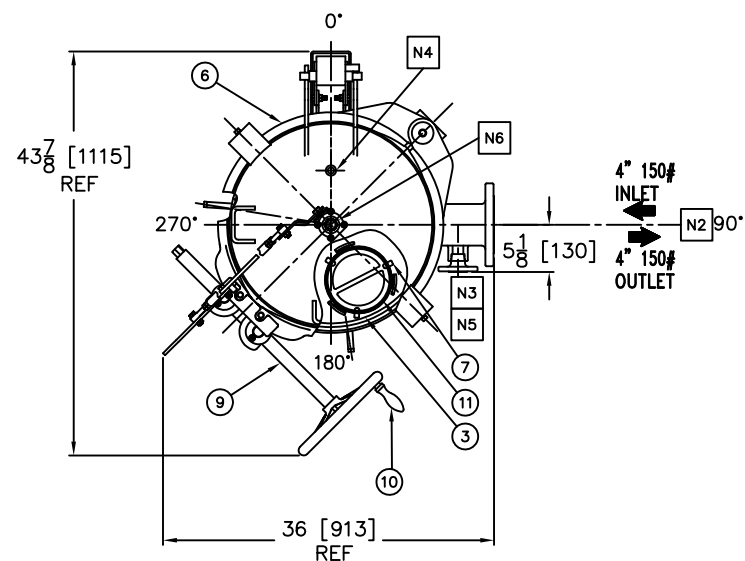
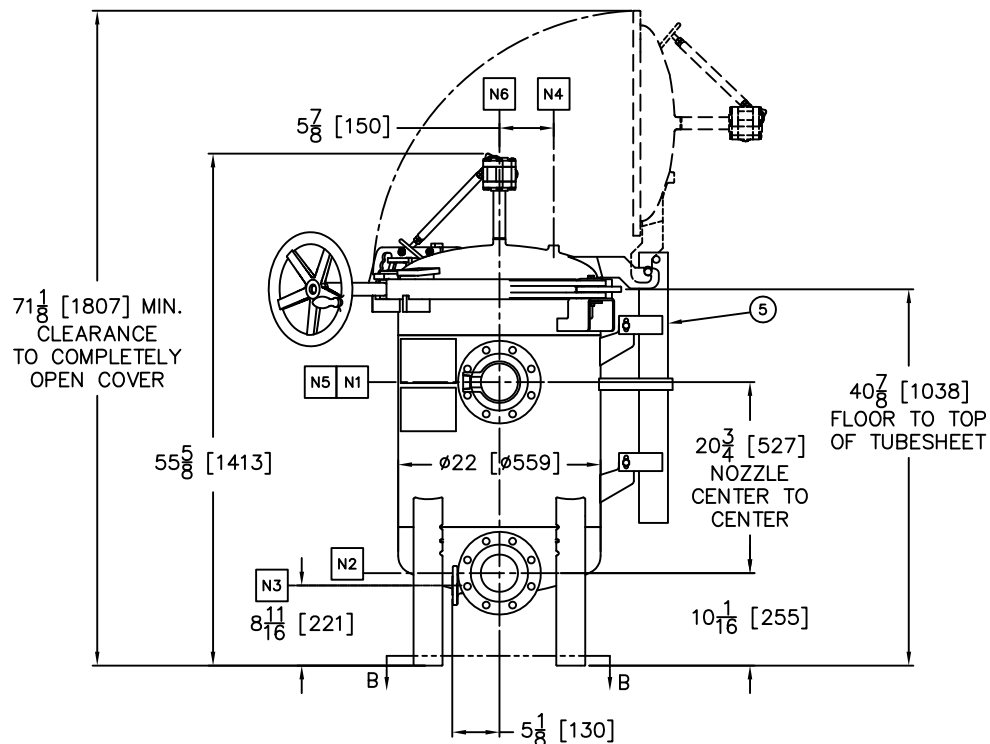
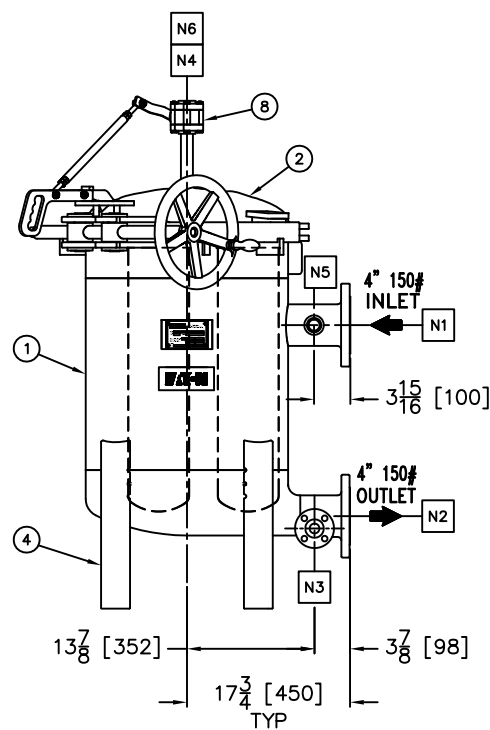


REVISIONS

REV	DESCRIPTION	BY	ECO	DATE
A	NEW RELEASE	A. KADAM	0081674	02/01/13
B	ENGINEERING CHANGES	FJM	0081819	02/18/13



SECTION B-B
MOUNTING PLAN



NOTES:

- DIMENSIONS SHOWN IN [] ARE IN MILLIMETERS AND FOR REFERENCE ONLY. ACCEPTANCE OF THIS PART WILL BE BASED ON "INCH" UNITS & TOLERANCES ONLY.
- UNITS ARE DESIGNED AND FABRICATED TO GOOD ENGINEERING PRACTICE
- INLET / OUTLET FLANGE CONNECTIONS PER ANSI B16.5 AND ALL BOLT HOLES ARE TO STRADDLE NATURAL CENTERLINES.
- DESIGN DATA:
 DESIGN PRESSURE : 100 PSI [6.89 BAR]
 DESIGN TEMPERATURE : 176° F [80° C]
 MDMT : -20° F [-28.9° C] @ 100 PSI [6.89 BAR]
 CORROSION ALLOWANCE: NONE
 RADIOGRAPHY: NONE
 HYDROSTATIC TEST PRESSURE : 130 PSI [8.96 BAR]
- APPROX WEIGHT (DRY): 432 LBS [196 KG]
- APPROX SHIPPING WEIGHT: 474 LBS [215 KG]
- JINNING PART NO. : F4V47302
- UNIT ASSEMBLY DWG NO. : L0003235
- VESSEL CODE : VPMBF-0402-BB07-040A-NT-11SE-L
- SPARE PARTS FOR RE-ORDER.

ITEM	QTY	PART NAME	MATERIAL
11	1	RESTRAINER BASKET (L0001753)	304-SS
10	1	SPINDLE HANDLE	STAINLESS STEEL
9	1	SPINDLE BOLT	STAINLESS STEEL
8	1	1" VENT VALVE ASSY.	304-SS
7	1	FILTER BAG HOLD DOWN (L0000584)	304-SS
6	1	CLAMP ASSEMBLY	STAINLESS STEEL
5	1	SPRING ASSISTED MECHANISM	STAINLESS STEEL
4	1	LEGS	STAINLESS STEEL
3	1	O-RING (L0000292)	BUNA-N
2	1	COVER	304-SS
1	1	BODY	304-SS

PART LIST FOR : F3AV0400016L304

DRAWN BY
A. KADAM
SCALE
AS DRAWN

EATON EATON FILTRATION, LLC
DESIGN CENTER
ISELIN, NEW JERSEY, USA • PORTAGE, MICHIGAN, USA

RESTRICTION
RESTRICTED
SHEET
1 OF 1

TITLE
PROLINE 100 (VPMBF-04) FILTER VESSEL TYPE SE 4"-150#
RF FLG INLET/TANGENTIAL OUTLET LOOP STYLE SS-304

PROJECTION
THIRD ANGLE

DATE
02/01/13
SIZE
B
DWG FILENAME
F3AV0400016L304
REV
B

EATON CORPORATION - CONFIDENTIAL AND PROPRIETARY NOTICE TO PERSONS RECEIVING THIS DRAWING AND/OR TECHNICAL INFORMATION
THIS DOCUMENT, INCLUDING THE DRAWING AND INFORMATION CONTAINED THEREON IS CONFIDENTIAL AND IS THE EXCLUSIVE PROPERTY OF EATON AT ANY TIME. BY TAKING THE POSSESSION OF THIS DOCUMENT THE RECIPIENT ACKNOWLEDGES AND AGREES THAT THIS DOCUMENT CANNOT BE USED IN ANY MANNER ADVERSE TO THE INTEREST OF EATON AND THAT NO PORTION OF THIS DRAWING MAY BE COPIED OR OTHERWISE REPRODUCED WITHOUT THE PRIOR WRITTEN CONSENT OF EATON, IN THE CASE OF CONFLICTING CONTRACTUAL PROVISIONS, THIS NOTICE SHALL GOVERN THE STATUS OF THIS DOCUMENT.
2013 EATON CORPORATION - ALL RIGHTS RESERVED.

NOZZLE SCHEDULE

MARK	QTY	SIZE	TYPE	RATING	NECK	SERVICE
N1	1	4	FLANGED	150	0.24 [6]	INLET
N2	1	4	FLANGED	150	0.24 [6]	OUTLET
N3	1	1	FLANGED	150	0.24 [6]	DRAIN
N4	1	1/2	NPTI	---	NA	VENT
N5	1	1	NPTI	---	NA	AUXILIARY CONN.
N6	1	1	NPTI	---	NA	VENT VALVE ASSEMBLY

CUSTOMER INFO

NAME	VALUE
P.O. NO.	
TAG NO.	
S.O. NO.	
PART NO.	F3AV0400016L304