

Multi-Connector Blocks Global Plus Connectivity

Contents

Overview	1
Model Selection	2
Model Selection, Accessories	2
Specifications	2
Dimensions	3
Wiring Diagrams	3

The Cutler-Hammer® Multi-Connector Block from Eaton's electrical business is an easy way to quickly connect sensors to a control system. Using a variety of double-ended, industry-standard M12 Micro connector cables, a system can be wired up in minutes, therefore saving installation time and money.

For further convenience and installation troubleshooting, LEDs provide both power and output status on the block.

Global Plus Multi-Connector Blocks were designed with the most heavy-duty applications in mind—such as automotive manufacturing, metalworking and machinery OEMs. Put Eaton's Global Plus Multi-Connector Blocks to the test for your next machine design.

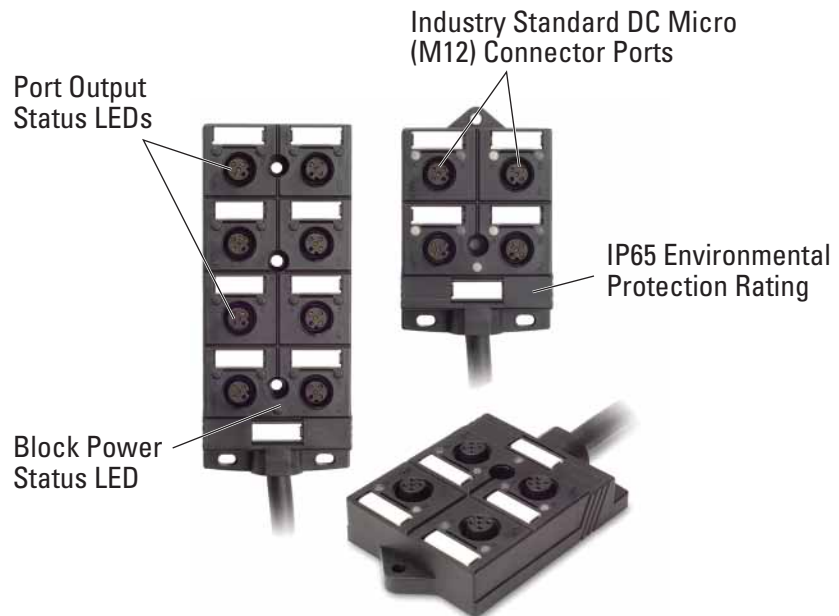
Approvals

- UL Recognized
- CSA Certified



Unless otherwise noted, the products contained in this document are not designed or intended for use in human safety applications.

Multi-Connector Blocks Designed for Quickly Wiring Multiple Sensors to the Control System and a Common Power Source



Product Features

- Model options with four, six or eight sensor ports in one block
- Block capacity can be doubled with Micro Splitter Accessory (CSDY5)
- Available with a molded cable or spring-cage main body exit
- Capacity of up to 4 amps per port and 12 amps per block
- Robust design to resist vibration and moisture penetration
- Ideal for extreme temperature environments from -13 to 167°F (-25 to 75°C)



Typical Applications

- Automotive manufacturing
- Metalworking
- Many types of Machinery OEMs
- Power Control and Panel Shops

For Customer Service in the U.S. call **1-877-ETN CARE (386-2273)**,
in Canada call **1-800-268-3578**.
For Application Assistance in the U.S. and Canada
call **1-800-426-9184**.


August 2007


Model Selection — Micro Style, Multi-Connector Blocks

	Voltage Style	Number of Parts	Connection	Catalog Number	Pin Configuration/Wire Colors
Standard Multi-Connector Blocks					
Micro Style Molded Cable 	DC PNP	4-port	5m Cable	CBDR4P05	See Wiring Diagram A
	DC PNP		10m Cable	CBDR4P10	
	DC PNP	6-port	5m Cable	CBDR6P05	
	DC PNP		10m Cable	CBDR6P10	
	DC PNP	8-port	5m Cable	CBDR8P05	
	DC PNP		10m Cable	CBDR8P10	
Micro Style Spring Cage 	DC PNP	4-port	Connector	CBDR4PSC	See Wiring Diagram B
	DC NPN			CBDR4NSC	
	DC PNP	6-port	Connector	CBDR6PSC	
	DC NPN			CBDR6NSC	
	DC PNP	8-port	Connector	CBDR8PSC	
	DC NPN			CBDR8NSC	

 Stocked product, typical order quantities guaranteed in stock.

Model Selection — Accessories

	Description	Catalog Number
Closure Cap 	Seals off unused connector ports on Multi-Connector Blocks, Micro Female Type	CBCAP

 Stocked product, typical order quantities guaranteed in stock.

Multi-Connector Block

Description	Specification
General	
Nominal Voltage (VDC)	24
Max. Operating Voltage (VDC)	30
Current Capacity per Port (A)	4
Residual Current (A)	12
Operating Current of each LED (mA)	≤ 5
Protection Type (IEC 60 529 / EN 60 529 / DIN VDE 0470-1)	IP65
Ambient Temperature	-13 – 167°F (-25 – 75°C)
Jacket Material	Nylon with brass receptacles
Contact Material	Gold-plated copper alloy
O-Ring	Nitrile Rubber
Voltage Rating	10 – 30V DC
Current Rating	4A per port; 12A max. per unit
Contact Resistance	5 mΩ max.
Isolation Resistance	1000 mΩ min.
Protection	NEMA 6P, IP68
Temperature Range	-13 – 194°F (-25 – 90°C)

LED Status Indication

Supply Voltage	Green
Status Display of I/O	Yellow

Master Cable Specifications — Spring Cage Connection

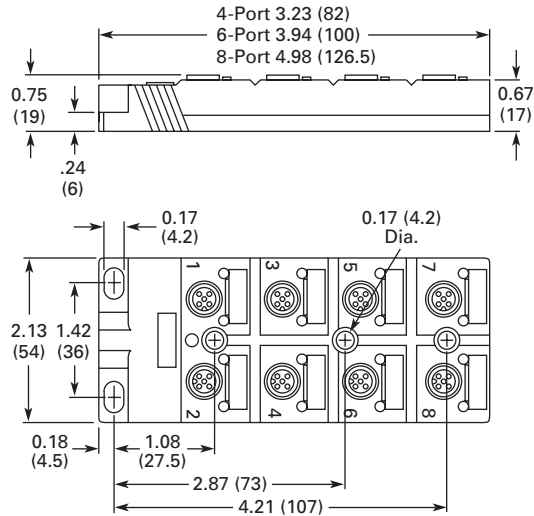
Description	Specification
Signal Line, Stranded (mm ² / AWG)	0.14 – 1 / 26 – 18
Voltage Supply, Stranded (mm ² / AWG)	0.2 – 1.5 / 24 – 16
Cable Diameter (mm / in.)	6.5 – 9.5 / 0.255 – 0.374
Stripped Length of Signal Line (mm / in.)	10 / 0.395

Master Cable Specifications — Pre-wired Cable Connection

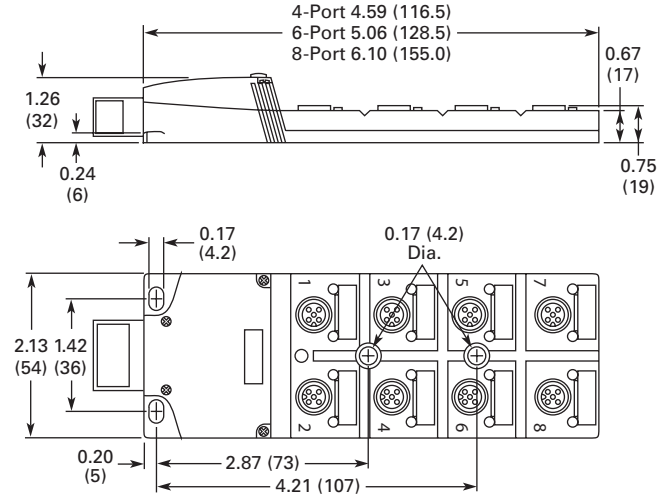
Description	Specification
Signal Line, Stranded (mm ² / AWG)	0.34 / 22
Voltage Supply, Stranded (mm ² / AWG)	3 x 1.0 / 17
Cable Diameter (mm / in.) 4 & 6 Port 8 Port	8.7 / 0.3425 9.2 / 0.3622
Material	PUR
Cable Strain Relief	30 lbs. min.

Approximate Dimensions in Inches (mm) — Micro Style Connector Blocks

Top Female Cable

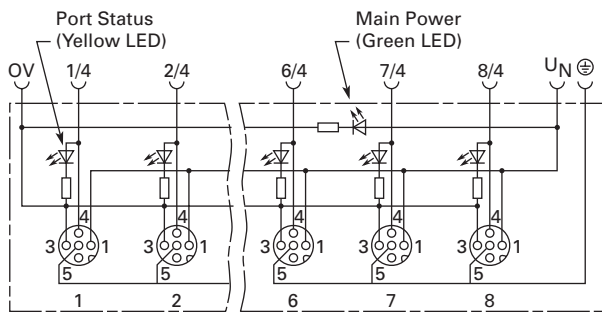


Top Female Connector

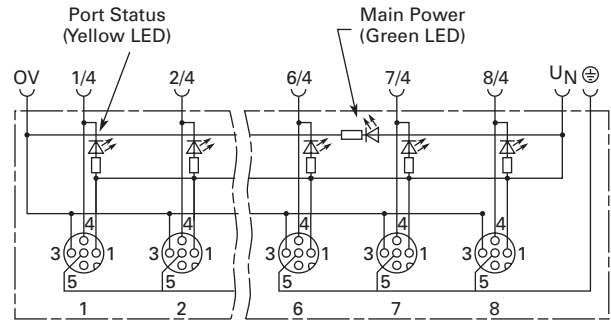


Wiring Diagrams — Micro Style Connector Blocks

PNP Block



NPN Block



Wiring Diagram for Molded Cable Blocks

Micro DC Port/Pin	4-Port	6-Port	8-Port
	Wire Color	Wire Color	Wire Color
1/4	WH	WH	WH
2/4	GN	GN	GN
3/4	YE	YE	YE
4/4	GY	GY	GY
5/4	—	PK	PK
6/4	—	RD	RD
7/4	—	—	BK
8/4	—	—	VT
1-8/1; UN (+V)	BN	BN	BN
1-8/3; 0V (-)	BU	BU	BU
1-8/5; PE (GND)	GN/YE	GN/YE	GN/YE

Wiring Diagram for Spring Cage Blocks

Micro DC Port/Pin	4-Port	6-Port	8-Port
	Terminal	Terminal	Terminal
1/4	1/4	1/4	1/4
2/4	2/4	2/4	2/4
3/4	3/4	3/4	3/4
4/4	4/4	4/4	4/4
5/4	—	5/4	5/4
6/4	—	6/4	6/4
7/4	—	—	7/4
8/4	—	—	8/4
1-8/1; UN (+V)	UN	UN	UN
1-8/5; PE (GND)	PE	PE	PE