

## Eaton X3 two-speed plug-in motor



# Small package, flexible features, improved value

*The X3 plug-in motor offers best-in-class value with its performance, compact package, reliable life and ease of drop-in capability.*



The Eaton X3 plug-in motor offers a simple design made for mobile applications where compact packaging is critical. Featuring a two-speed operating range in 41cc and 49cc displacements, the X3 motor is ready for mid-frame machines that need performance with an attractive value proposition.

With an array of flexible features, the X3 motor can adapt quickly to most mobile machines within its rated operating conditions.

### Applications:

- Agricultural sprayers
- Aerial work platforms
- Boom lifts
- Compact track loaders
- Transmissions
- Utility vehicles

### Features and benefits:

#### Smaller size, superior value

- 41cc and 49cc displacements
- Competitive packaging in its class
- Simple design with proven results

#### Effortless upgrade

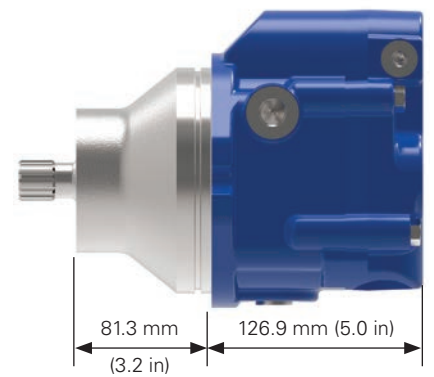
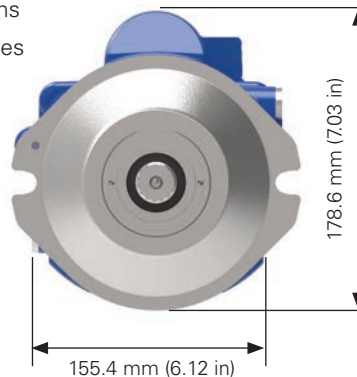
- Plug-in, SAE-B two-bolt mount
- Drop in to standard planetary gear boxes
- Rear packaging fits through 7-inch machine pilot

#### Versatile design, flexible features

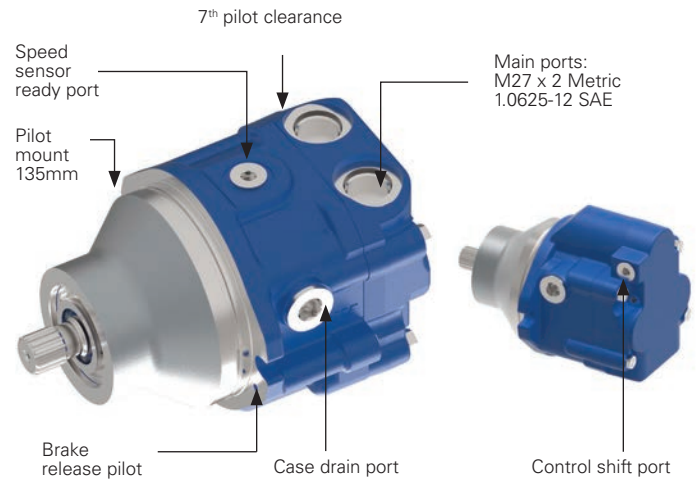
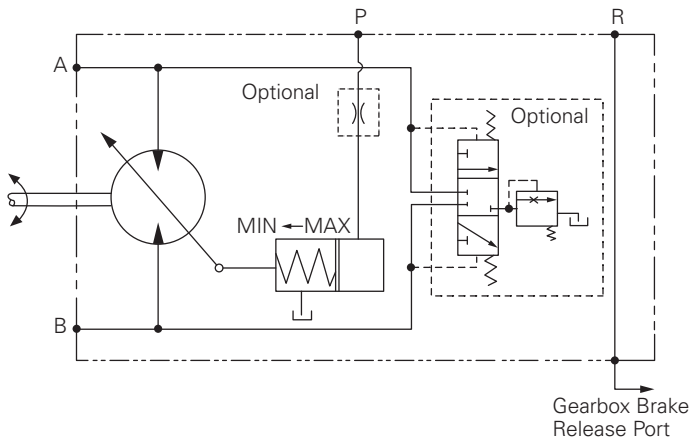
- Speed and direction sensor ready (44 pulse)
- Integrated shuttle/flushing valves
- Anti-cavitation valve option available

# EATON

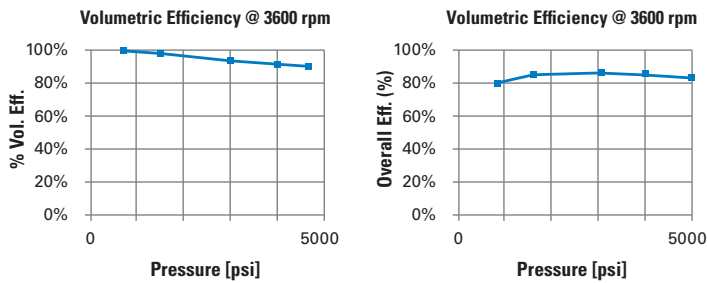
Powering Business Worldwide



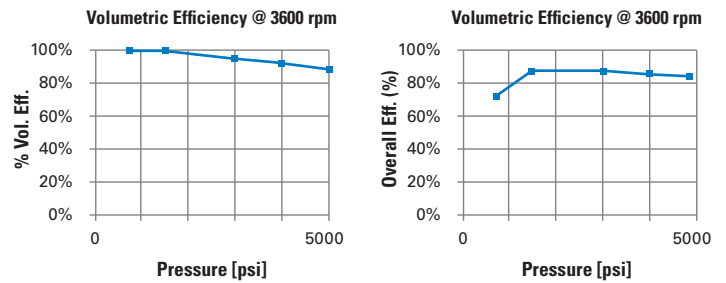
Dimensions in mm (inch)



### 41cc motor efficiency



### 49cc motor efficiency



## Technical specifications

Parameter	Unit	41cc	49cc
Displacement	cm <sup>3</sup> /r [in <sup>3</sup> /r]	40.6 [2.48]	49.2 [3.00]
Maximum displacement	cm <sup>3</sup> /r [in <sup>3</sup> /r]	32.0 to 40.6 [1.95 to 2.48]	43.3 to 49.2 [2.64 to 3.00]
Minimum displacement	cm <sup>3</sup> /r [in <sup>3</sup> /r]	7.4 [0.45], 10 [0.61], 13 [0.79], 17 [1.037], 20.5 [1.25]	16.30 [0.99], 20 [1.22], 22 [1.36], 26 [1.58], 29 [1.77], 32 [1.95]
Maximum rated speed at maximum displacement	rpm	3500	3500
Maximum rated speed at minimum displacement	rpm	4500	4500
Nominal pressure rating *	bar [psi]	350 [5076]	310 [4500]
Peak pressure rating **	bar [psi]	380 [5500]	345 [5000]
Output torque (theoretical)	N-m/bar [lbf-in/1000 psi]	0.65 [394]	0.79 [480]
Shift pressure range	bar [psi]	15-69 [220 to 1000]	15-69 [220 to 1000]

**Note:** \* Nominal pressure: Max. delta system pressure at which component fatigue does not occur (motor life estimated by bearing life)  
 \*\* Peak pressure: Max. operating pressure which is permissible for a short duration of time [t<1 sec]