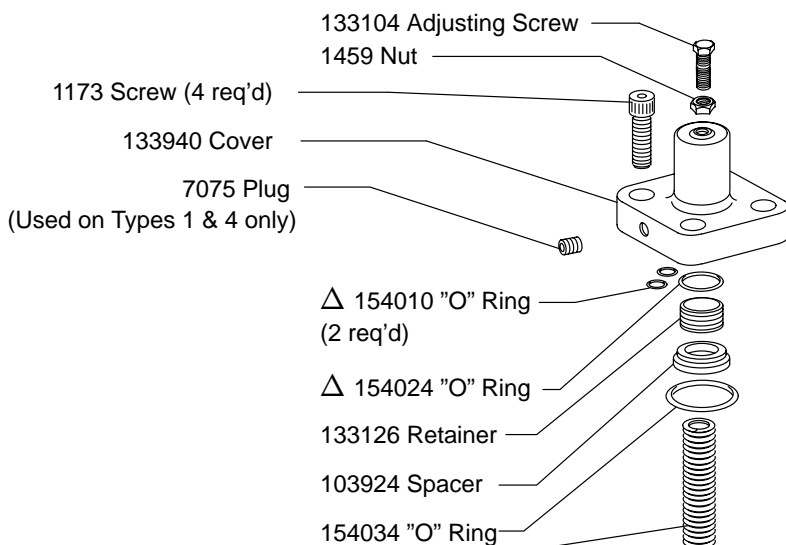


Pressure Relief

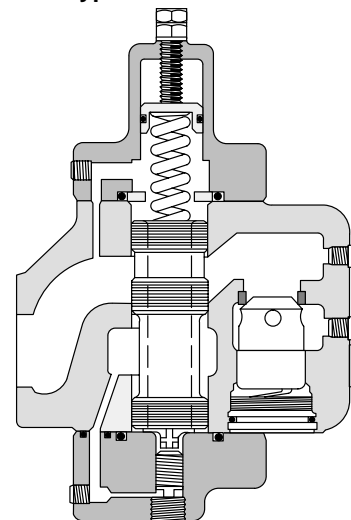


Pressure Control Valves

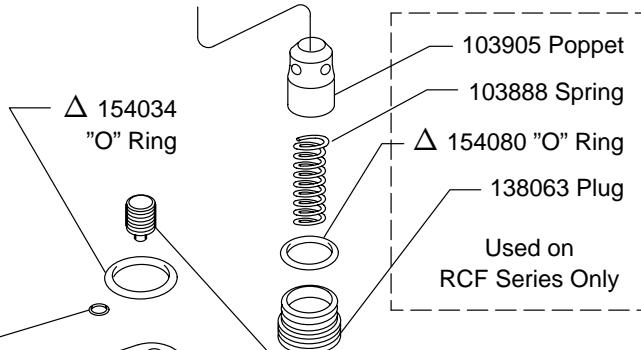
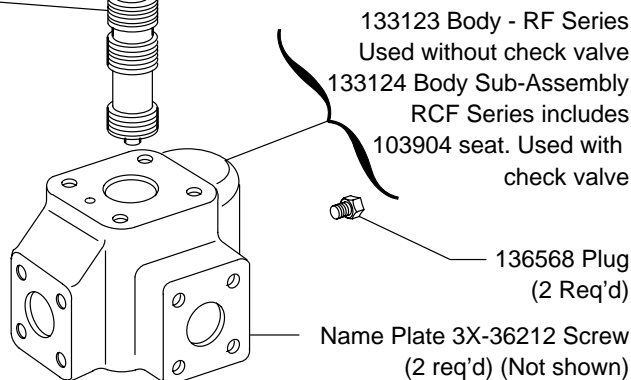
RF & RCF-16-*P*-10
RF & RCF-16-**-10



Cross Section View of Typical RCF Valve



Model	Pressure Range	Cover	Spring	Spool
RF-16-A*-10	A (250 PSI)	103918	133105	103920
RCF-16-A*-10		209651		104841
RF-16-AP*-10				103918
RCF-16-AP*-10		209651		
RF-16-B*-10	B (500 PSI)	103918	133106	103920
RCF-16-B*-10		209651		104841
RF-16-BP*-10				
RCF-16-BP*-10		209651		104841
RF-16-D*-10	D (1000 PSI)	103918	133107	103920
RCF-16-D*-10		209651		104841
RF-16-DP*-10				
RCF-16-DP*-10		209651		104841
RF-16-F*-10	F (2000 PSI)	306705	133107	103920
RCF-16-F*-10		312723		104841
RF-16-FP*-10				
RCF-16-FP*-10		312723		104841
RCF-16-X*-10	X (31 PSI)	103918	133105	104841
RF-16-Z*-10	Z (125 PSI)	103918	133107	104841
RCF-16-Z*-10		209651		
RF-16-ZP*-10				
RCF-16-ZP*-10		209651		



Δ Included in Seal Kit 919068

See back page for Connection Flanges

Δ 154010 'O' Ring (2 req'd)

7075 Plug (Used on Types 1 & 2 only)

7077 Plug (7076 Plug for "F" Pressure Range Model)

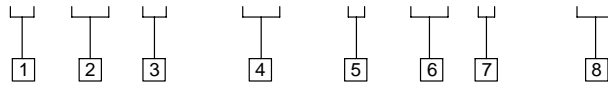
Pressure Range	Plunger
A, B, & D	103919
X or Z	—
F	306469

1173 Screw (4 req'd)



Model Code

R (C) F - 16 - * (P) * - 10



1 Model Series

R - Pressure control valve

2 Check Valve

C - With integral check valve
(reverse free flow)
(Omit without check valve.)

3 Flange Connection

4 Valve Size

2" nominal

5 Pressure Rating

A - 250 PSI
B - 500 PSI
D - 1000 PSI
F - 2000 PSI
Z - 125 PSI

6 Control

P - Auxiliary Control
(May be used with any of the
4 valve types shown)
(Omit for standard control.)

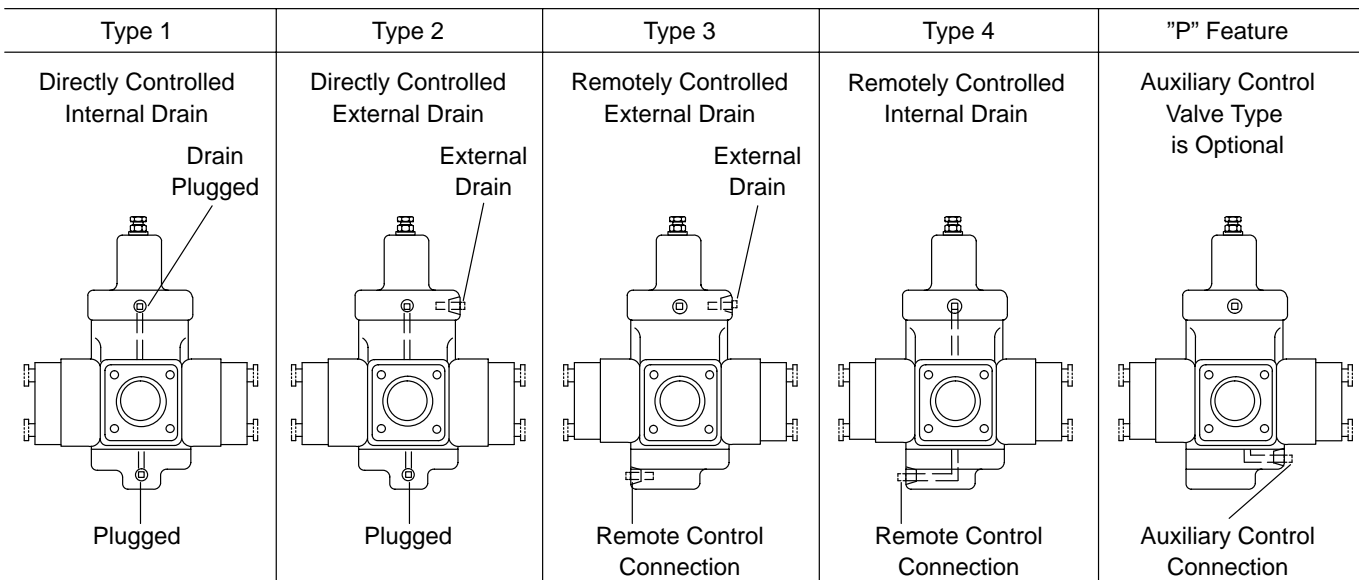
7 Valve Types

(Inset views at bottom of page show
the cover positions for valve types
1 through 4.)

8 Design

Flange Connections (Not furnished with Unit)		
Model	Pipe Size	Type
FL-12-PS-20	1-1/2"	Straight
FL-16-PS-20	2"	
FL-12-PL-20	1-1/2"	ELL
FL-16-PL-20	2"	
Flanges are furnished with a seal, screws and washers for fastening		

Note: Assemble covers as shown to obtain valve action desired.



For satisfactory service life of these components, use full flow filtration to provide fluid which meets ISO cleanliness code 18/15 or cleaner. Selections from Eaton OFF, OFR and OFRS filter series are recommended.

Printed in U.S.A.