

Service Data

**Vickers®**

# Relief Valves

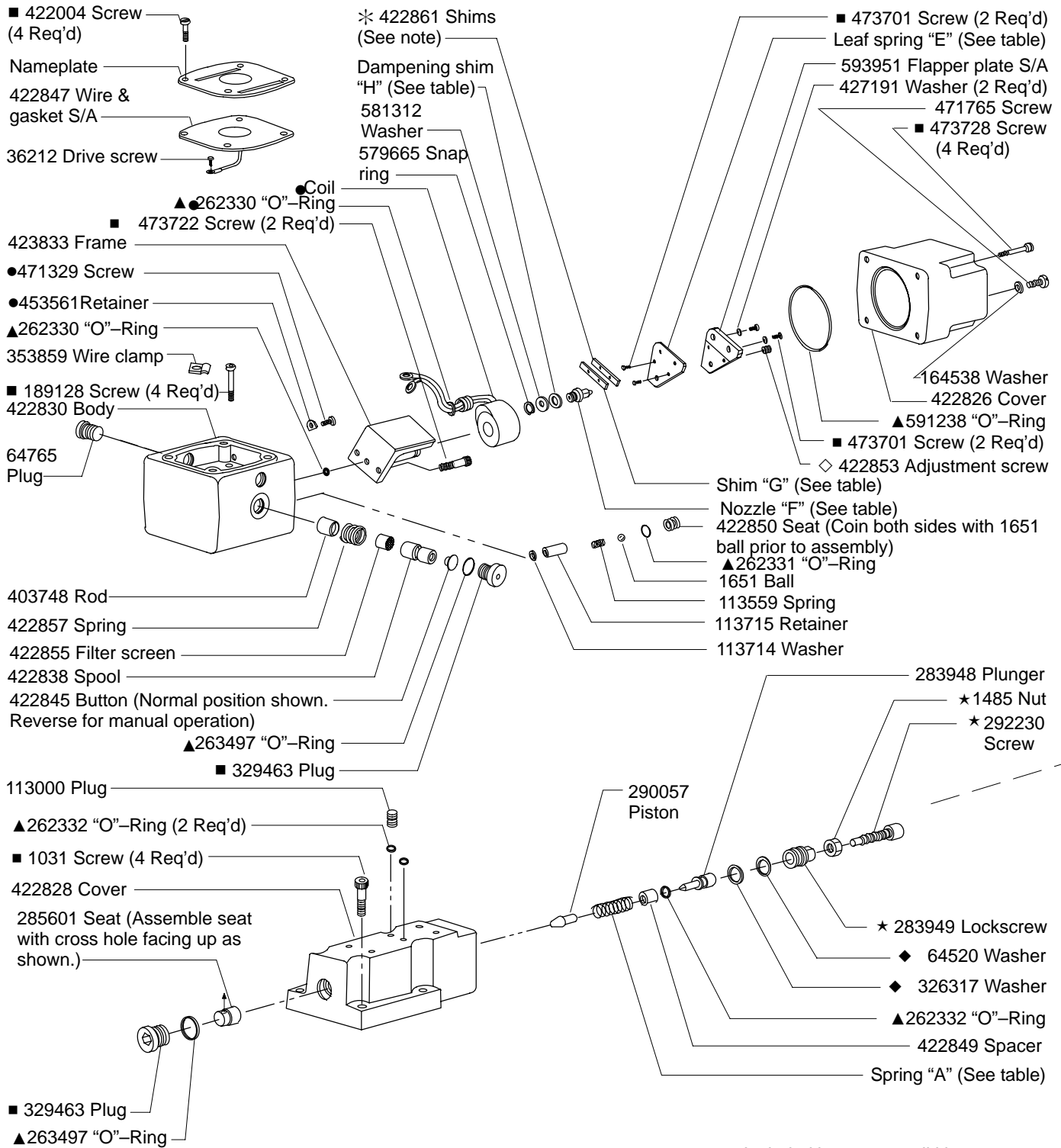
---



## Remote Electrically Modulated Relief Valves

CGE-06-1-22

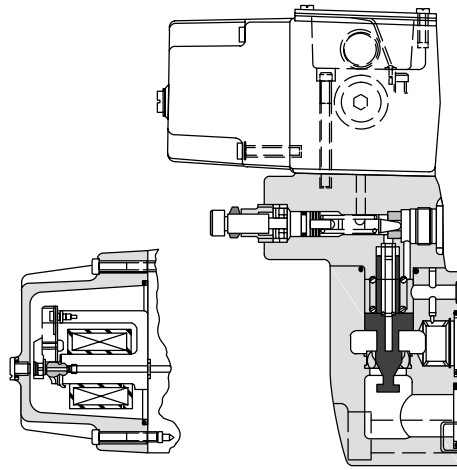
CGE-06-3(V)-22-(S6)(S7)



- Included in 926275 coil kit.
- ▲ Included in F3 seal kit 920081. (All seals, except interface, are F3. Use the F3 seal kit to service all units.)
- At assembly, adjust screw until dimension between screw and nozzle is .004 – .005 in. or 0.10 – 0.13 mm.
- Included in Screw/Plug/Nozzle Torque tables.
- \* Number of shims are factory selected to obtain maximum pressure setting.
- ◇ Not available for sale
- ★ Coat with oil prior to assembly
- ◆ Arrange for correct pressure adjustment range

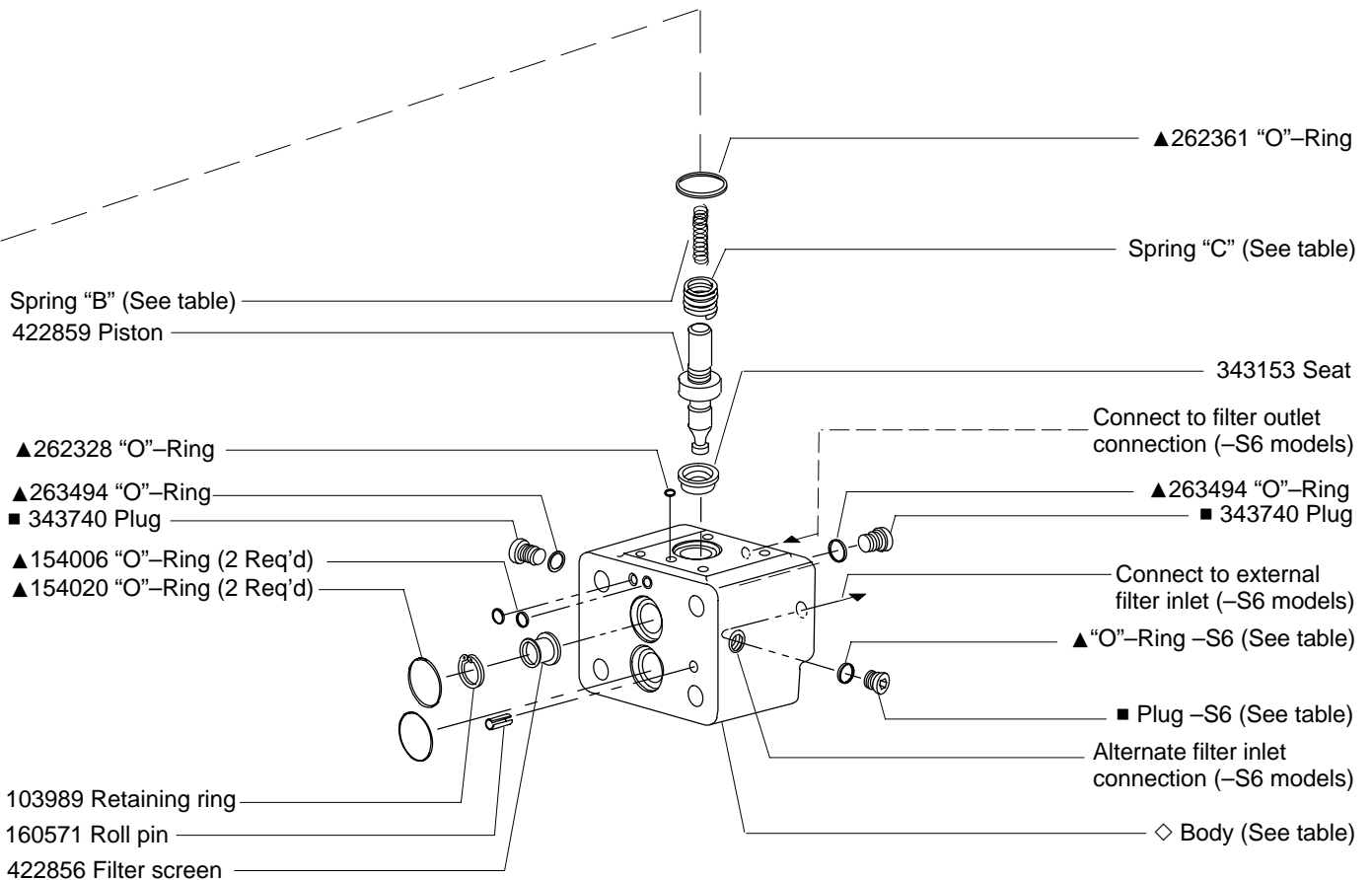
■ Screw	■ Plug	Torque (N.m.)	Torque (lb. in.)	Torque (lb. ft.)
1031		12.6 Max.	112 Max.	
189128		4.7 Max	42 Max	
	329463	40.7 – 47.5	360 – 420	30 – 35
	343740	14.7 – 18.1	130 – 160	
422004		0.7 – 0.9	6 – 8	
473701		1.4 – 1.6	12 – 14	
473722		4.0 – 4.5	35 – 40	
473728		4.0 – 4.5	35 – 40	

45° Cross sectional view of nozzle, flap-per and coil.



■ Nozzle "F"	Torque (lb. in.)	Torque (N.m.)
424189	11-13	1.2-1.5
422842	13-15	1.5-1.7

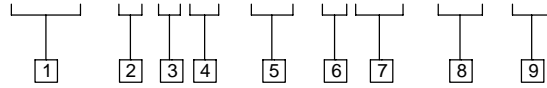
Model	Pressure range	Spring "A"	Spring "B"	Spring "C"	Leaf spring "E"	■ Nozzle "F"	Shim "G"	Damping shim "H"
CGE-06-1-22	75-1000 psi	2280	2077	————	424188	424189	424190	424724
CGE-06-3-22	150-3000 psi	2281	2077	————	422835	422842	422839	————
CGE-06-3V-22	300-3000 psi	2281	————	184458	422835	422842	422839	————



Model	◇ Body	▲ "O"-Ring	▲ Plug	External 3000 PSI 35 micron filter Req'd
CGE-06-**-22	597718			No
CGE-06-**-22-S6	597831	263494	343740	Yes

# Model Code

**(F3) - C G E - 06 - 3 (V) - 22 - S\***



**1 Viton seals**  
(Omit if not required)

**2 Relief valve**

**3 Subplate mounted**

**4 Remote electrically modulated**

**5 Valve size**  
**06** – 60 series (<sup>3</sup>/<sub>4</sub>" NOM.)

**6 Pressure rating (psi)**  
**1** – 75 – 1000 (70 bar)  
**3** – 150 – 3000 (210 bar)  
**3V** – 300 – 3000 (210 bar)

**7 "V"** – Optional high venting pressure feature. Omit if not required. (for 3000 psi (210 bar) pressure models only)

**8 Design**

**9 S6** – External 35 micron pilot filter. (Furnished by customer)  
**S7** – Viton seals with 35 micron filter (Early models)