

XLM Supercapacitor Module



High reliability, long life, maintenance free supercapacitor energy module for back-up power



The XLM supercapacitor module is compact and easy to install.

Product description:

Eaton's XLM supercapacitor module provides energy storage for bridge power uninterruptible power supplies (UPS) and improves power quality for voltage spikes and brownouts.

What's more, the XLM is a safer alternative to batteries for UPS back up power applications. Modules are lead-free and RoHS compliant.

The XLM module can increase the life of a back-up system and eliminate the need for replacement parts and batteries.

Features and benefits:

- Maintenance free and requires no monitoring or user controls. An integrated cell balancing is pre-installed.
- Easily rack mountable due to 4U height by 6.9" wide. Connections on the front of the module for easy configuration.
- Operating lifespan of up to 20 years.
- Provides high availability due to fast recharging. Immediate use upon installation.
- Light weight - reduces rack requirements and floor reinforcement.



The XLM supercapacitor module is a self-contained energy storage device comprised of twenty-three individual XL60 supercapacitor cells

EATON

Powering Business Worldwide

Specifications

Capacitance:

- 130F

Initial maximum DC ESR:

- 6.7mΩ – measured according to IEC 62391 @62.1V

Agency information:

- UL810A (pending)

Maximum working voltage:

- 62.1V

Maximum current:

- 2000A

Shock and vibration:

- Telcordia GR-63 Zone 4

Operating temperature range:

- -40°C to +65°C

Peak Power:

- 140kW

Environmental:

- IP30, RoHS, Lead free

Operating life:

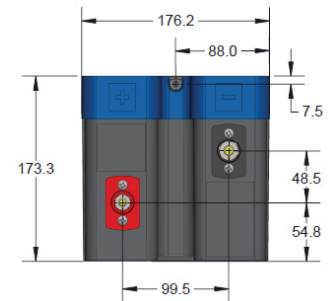
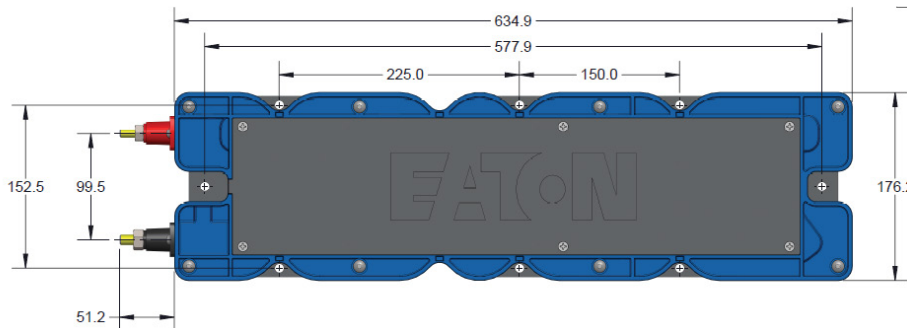
- Up to 20 years

Total stored energy:

- 69.6kW

Dimensions

Part Number	W	L	H	Typical Mass (kg)
XLM-62R1137-R	176	635	173	16
Tolerance	± 1.0			



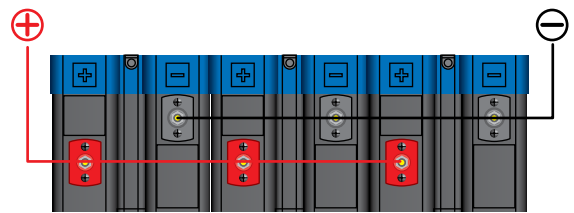
Positive Terminal: 5/16" – 18 threaded stud

Negative Terminal: 3/8" – 16 threaded stud

Connecting Modules



Series



Parallel

Eaton
Electronics Division
 1000 Eaton Boulevard
 Cleveland, OH 44122
 United States
www.eaton.com/elx

© 2015 Eaton
 All Rights Reserved
 Printed in USA
 Publication No. 10441 BU-MC15024
 September 2015

Eaton is a registered trademark.
 All other trademarks are property
 of their respective owners.