

DESCRIPTION: MAINTENANCE BYPASS PANEL – 3 CIRCUIT BREAKER

RATING: 208Y/120 VAC
15kVA

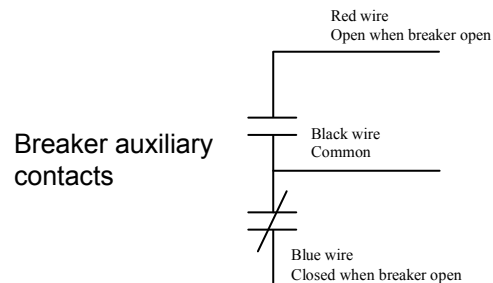
DIMENSIONS: See attached Cutler Hammer drawings.

WEIGHT: See attached Cutler Hammer drawings.

COLOR: ANSI 61 Gray

SUPPLIER: EATON (CUTLER HAMMER)

SCHEMATIC: See attached Cutler Hammer drawings.



EATON			
Description: MAINT BYPASS PNL - 3 CB 15KVA			
Project:		Format: MS Word	Subclass: COMPONENT
Created By: J HARDY	Creation Date: 30-AUG-2007	Modified By: GOLDEN_D	Modification Date: 15-MAR-2011
Revision: 2	ECO Number: ECO-018926	Status: RELEASED	Size: AV
Object ID: 124100027			Sheet: 1 of 10
THESE DRAWINGS AND SPECIFICATIONS ARE THE PROPERTY OF EATON CORP. AND SHALL NOT BE REPRODUCED OR COPIED OR USED AS THE BASIS FOR MANUFACTURE OR SALE OF APPARATUS WITHOUT PERMISSION.			

EATON P/N	DESCRIPTION	MAIN BUS RATING (AMP)	NEUTRAL BUS RATING (AMPS)	MIB RATING	MBP RATING	MIS RATING
124100027-001	MBP,3BKR,15 KVA	100	200	60	60	60
124100027-002	MBP,3BKR,15 KVA,TVSS	100	200	60	60	60
124100027-003	MBP,3BKR,15 KVA,PNLBD, 65kA	100	200	60	60	60
124100027-004	MBP,3BKR,15KVA,TVSS PNLBD, 65kA	100	200	60	60	60
124100027-006	MBP, 3 BKR, 15kVA, PNLB, 22kA	100	200	60	60	60
124100027-007	MBP, 3 BKR, 15kVA, PNLB, 10kA	100	200	60	60	60
124100027-008	MBP, 3 BKR, 15kVA, PNLB, 22kA & TVSS	100	200	60	60	60
124100027-009	MBP, 3 BKR, 15kVA, PNLB, 10kA & TVSS	100	200	60	60	60

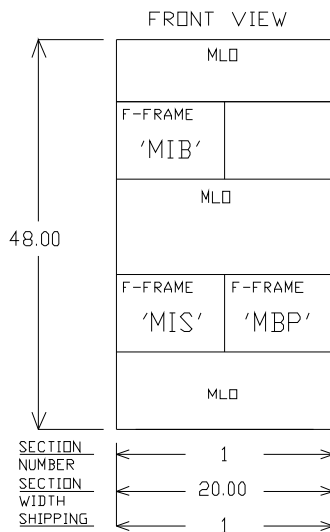
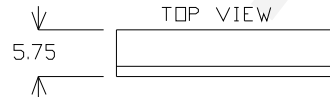
The cabinet must be UL / C-UL Listed in accordance with UL67.

EATON					
Description: MAINT BYPASS PNL - 3 CB 15KVA					
Project:		Format: MS Word		Subclass: COMPONENT	
Created By: J HARDY	Creation Date: 30-AUG-2007	Modified By: GOLDEN_D	Modification Date: 15-MAR-2011		
Revision: 2	ECO Number: ECO-018926	Status: RELEASED	Size: AV		
Object ID: 124100027			Sheet: 2 of 10		
THESE DRAWINGS AND SPECIFICATIONS ARE THE PROPERTY OF EATON CORP. AND SHALL NOT BE REPRODUCED OR COPIED OR USED AS THE BASIS FOR MANUFACTURE OR SALE OF APPARATUS WITHOUT PERMISSION.					

PRL 3A PANELBOARD (WALL MOUNT)
 SERVICE VOLTAGE 208Y/120V 3Ph 4W
 MAIN BUS XXXA NEUTRAL BUS XXXA DENSITY CU BUS
 --> NON SERVICE ENTRANCE
 PANELBOARD CONSTRUCTION MEETS UL-67
 NEMA-1 ENCLOSURE FINISH ANSI-61
 ESTIMATED WEIGHT 300 LBS
 AL GROUND BAR SUPPLIED AS STANDARD
 PANEL INCLUDES SURFACE MOUNT TRIM DOOR AS STANDARD
 1A/1B AUXILLARY CONTACTS ON MBP BREAKER
 FACTORY CABLED CONNECTION FROM INTERIOR LUGS TO MBP BREAKER USING (1) #1 PER PHASE.

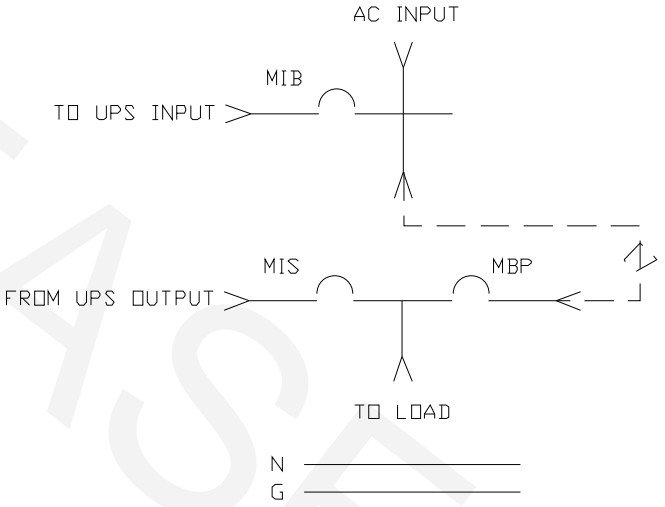
LEGEND	
∇	- TERMINAL(S)
↘	- CABLE CONNECTED BY FACTORY

TERMINAL WIRE RANGES	
LOAD LUGS 15 kVA	#14 - 1/0
LOAD LUGS 30 kVA	#6 - 300 MCM
BREAKER TERMINALS 15 kVA	#14 - 1/0
BREAKER TERMINALS 30 kVA	#14 - 4/0
NEUTRAL	#6 - 300 MCM
GROUND	#14 - 1/0



MBP, 3 BREAKER, 15KVA

ELECTRICAL ONE LINE DIAGRAM



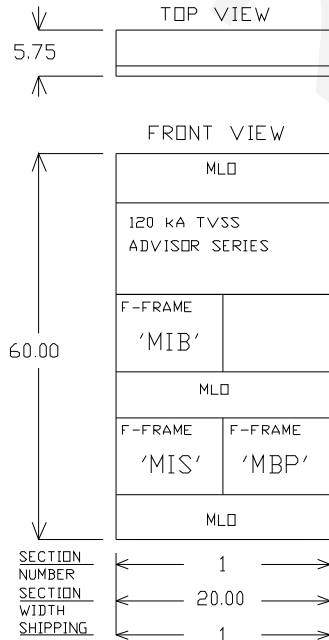
REVISION 1	124100027-001		ORIGINAL BY: EJK	DATE: 01/04/07	Cutler-Hammer EATON RALEIGH SATELLITE		
			APPROVED BY: EJK	DATE: 01/04/07	TITLE MAINTENANCE BYPASS PANEL EATON CORPORATION		
			CUSTOMER ID	SHOP ORDER	SIZE A	SHEET 1 G.D.	REV 1 JT. 10
					ACAD DWG NO 3-BRKR-3A		

EATON			
Description: MAINT BYPASS PNL - 3 CB 15KVA			
Project:	Format: MS Word	Subclass: COMPONENT	
Created By: J HARDY	Creation Date: 30-AUG-2007	Modified By: GOLDEN_D	Modification Date: 15-MAR-2011
Revision: 2	ECO Number: ECO-018926	Status: RELEASED	Size: AV
Object ID: 124100027			Sheet: 3 of 10
THESE DRAWINGS AND SPECIFICATIONS ARE THE PROPERTY OF EATON CORP. AND SHALL NOT BE REPRODUCED OR COPIED OR USED AS THE BASIS FOR MANUFACTURE OR SALE OF APPARATUS WITHOUT PERMISSION.			

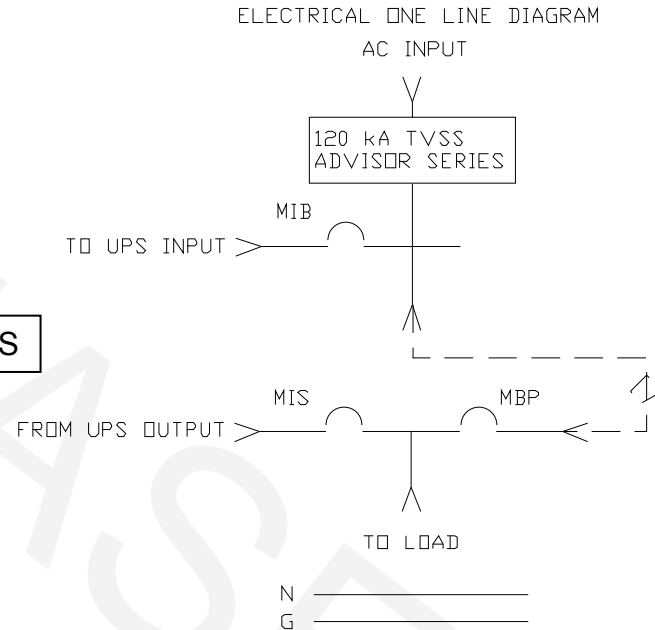
PRL 3A PANELBOARD (WALL MOUNT)
 SERVICE VOLTAGE 208Y/120V 3Ph 4W
 MAIN BUS XXXA NEUTRAL BUS XXXA DENSITY CU BUS
 --> NON SERVICE ENTRANCE
 PANELBOARD CONSTRUCTION MEETS UL-67
 NEMA-1 ENCLOSURE FINISH ANSI-61
 ESTIMATED WEIGHT 350 LBS
 AL GROUND BAR SUPPLIED AS STANDARD
 PANEL INCLUDES SURFACE MOUNT TRIM DOOR AS STANDARD
 1A/1B AUXILLARY CONTACTS ON MBP BREAKER
 FACTORY CABLED CONNECTION FROM INTERIOR LUGS TO MBP BREAKER USING (1) #1 PER PHASE.

LEGEND	
∇	- TERMINAL(S)
↔	- CABLE CONNECTED BY FACTORY

TERMINAL WIRE RANGES	
LOAD LUGS 15 kVA	#14 - 1/0
LOAD LUGS 30 kVA	#6 - 300 MCM
BREAKER TERMINALS 15 kVA	#14 - 1/0
BREAKER TERMINALS 30 kVA	#14 - 4/0
NEUTRAL	#6 - 300 MCM
GROUND	#14 - 1/0



MBP, 3BREAKER, 15 kVA, TVSS



REVISION 1

124100027-002

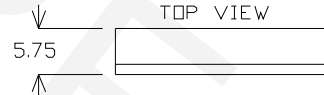
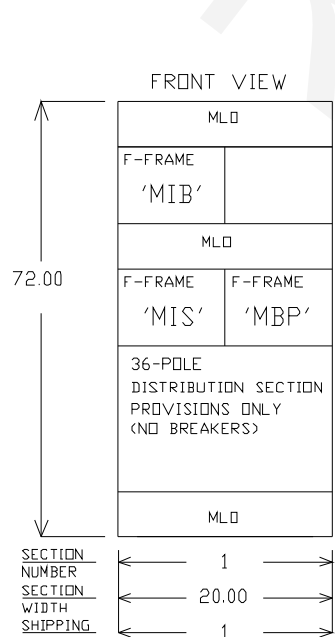
ORIGINAL BY: EJK	DATE: 01/04/07	Cutler-Hammer EATON RALEIGH SATELLITE	
APPROVED BY: EJK	DATE: 01/04/07	TITLE MAINTENANCE BYPASS PANEL EATON CORPORATION	
CUSTOMER ID:	SHOP ORDER:	TYPE PRL 3A	
		SIZE A	REV 1 SHEET 1 GT 10
			ACAD DWG NO 3-BRKR-3A-OPT1

EATON			
Description: MAINT BYPASS PNL - 3 CB 15KVA			
Project:	Format: MS Word	Subclass: COMPONENT	
Created By: J HARDY	Creation Date: 30-AUG-2007	Modified By: GOLDEN_D	Modification Date: 15-MAR-2011
Revision: 2	ECO Number: ECO-018926	Status: RELEASED	Size: AV
Object ID: 124100027			Sheet: 4 of 10
THESE DRAWINGS AND SPECIFICATIONS ARE THE PROPERTY OF EATON CORP. AND SHALL NOT BE REPRODUCED OR COPIED OR USED AS THE BASIS FOR MANUFACTURE OR SALE OF APPARATUS WITHOUT PERMISSION.			

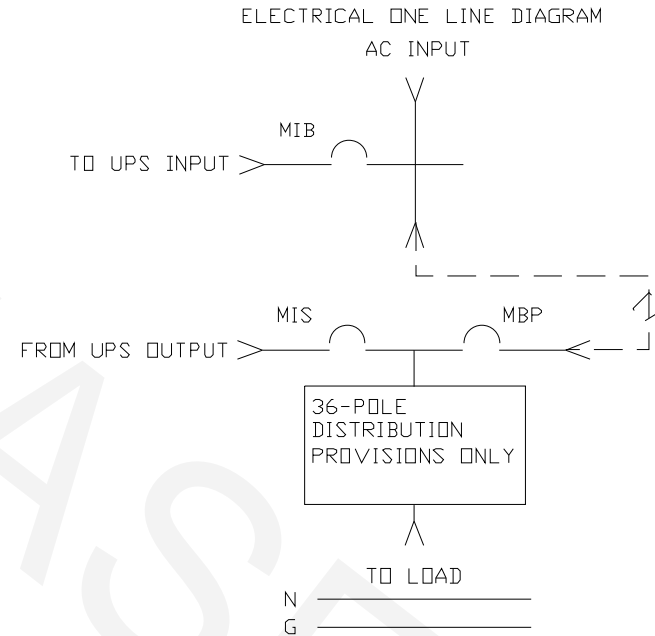
PRL 3A PANELBOARD (WALL MOUNT)
 SERVICE VOLTAGE 208Y/120V 3Ph 4W
 MAIN BUS XXXA NEUTRAL BUS XXXA DENSITY CU BUS
 --> NON SERVICE ENTRANCE
 PANELBOARD CONSTRUCTION MEETS UL-67
 NEMA-1 ENCLOSURE FINISH ANSI-61
 ESTIMATED WEIGHT 450 LBS
 ALL GROUND BAR SUPPLIED AS STANDARD
 PANEL INCLUDES SURFACE MOUNT TRIM DOOR AS STANDARD
 1A/1B AUXILLARY CONTACTS ON MBP BREAKER
 FACTORY CABLED CONNECTION FROM INTERIOR LUGS TO MBP BREAKER USING (1) #1 PER PHASE.

LEGEND	
∨	- TERMINAL(S)
↘	- CABLE CONNECTED BY FACTORY

TERMINAL WIRE RANGES	
LOAD LUGS 15 kVA	#14 - 1/0
LOAD LUGS 30 kVA	#6 - 300 MCM
BREAKER TERMINALS 15 kVA	#14 - 1/0
BREAKER TERMINALS 30 kVA	#14 - 4/0
NEUTRAL	#6 - 300 MCM
GROUND	#14 - 1/0



MBP,3 BREAKER 15 kVA & PANELBOARD 65kA,



REVISION 1

124100027-003

ORIGINAL BY: EJK	DATE: 01/04/07	Cutler-Hammer RALEIGH SATELLITE
APPROVED BY: EJK	DATE: 01/04/07	
CUSTOMER ID	SHOP ORDER	TYPE PRL 3A
SIZE A	FSO# NO	SHEET 1 GO
		REV 1 IT 10
		ACAD DWG NO 3-BRKR-3A-OPT2

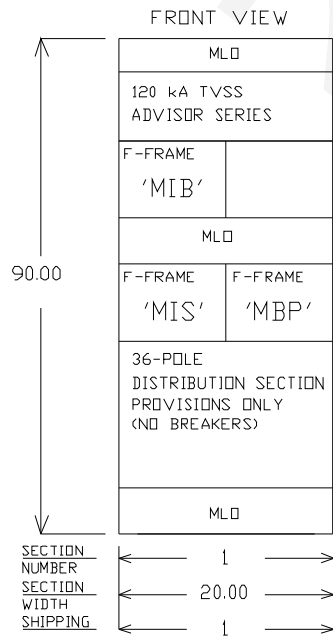
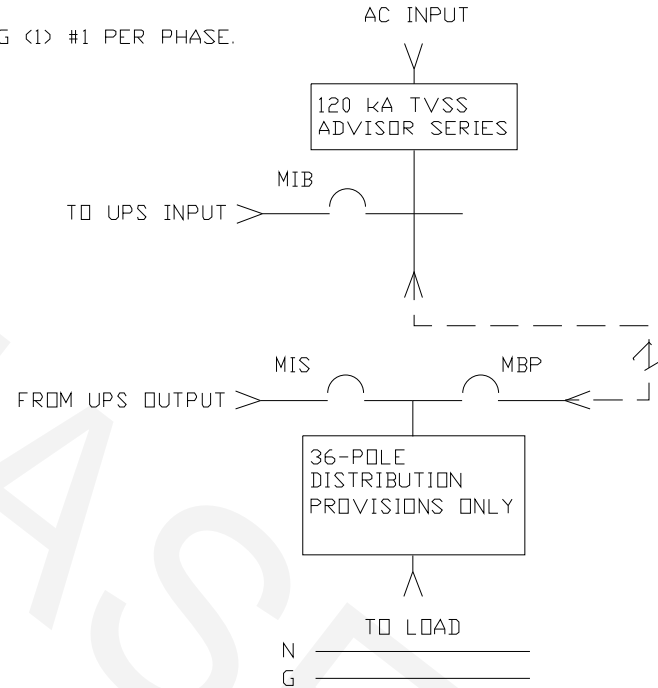
Description: MAINT BYPASS PNL - 3 CB 15KVA			
Project:	Format: MS Word	Subclass: COMPONENT	
Created By: J HARDY	Creation Date: 30-AUG-2007	Modified By: GOLDEN_D	Modification Date: 15-MAR-2011
Revision: 2	ECO Number: ECO-018926	Status: RELEASED	Size: AV
Object ID: 124100027			Sheet: 5 of 10
THESE DRAWINGS AND SPECIFICATIONS ARE THE PROPERTY OF EATON CORP. AND SHALL NOT BE REPRODUCED OR COPIED OR USED AS THE BASIS FOR MANUFACTURE OR SALE OF APPARATUS WITHOUT PERMISSION.			

PRL 3A PANELBOARD (WALL MOUNT)
 SERVICE VOLTAGE 208Y/120V 3Ph 4W
 MAIN BUS XXXA NEUTRAL BUS XXXA DENSITY CU BUS
 --> NON SERVICE ENTRANCE
 PANELBOARD CONSTRUCTION MEETS UL-67
 NEMA-1 ENCLOSURE FINISH ANSI-61
 ESTIMATED WEIGHT 500 LBS
 ALL GROUND BAR SUPPLIED AS STANDARD
 PANEL INCLUDES SURFACE MOUNT TRIM DOOR AS STANDARD
 1A/1B AUXILLARY CONTACTS ON MBP BREAKER
 FACTORY CABLED CONNECTION FROM INTERIOR LUGS TO MBP BREAKER USING (1) #1 PER PHASE.

LEGEND	
∇	- TERMINAL(S)
↔	- CABLE CONNECTED BY FACTORY

TERMINAL WIRE RANGES	
LOAD LUGS 15 kVA	#14 - 1/0
LOAD LUGS 30 kVA	#6 - 300 MCM
BREAKER TERMINALS 15 kVA	#14 - 1/0
BREAKER TERMINALS 30 kVA	#14 - 4/0
NEUTRAL	#6 - 300 MCM
GROUND	#14 - 1/0

ELECTRICAL ONE LINE DIAGRAM



**MBP, 3 BREAKER 15KVA,
 TVSS & PANELBOARD
 65kA,**

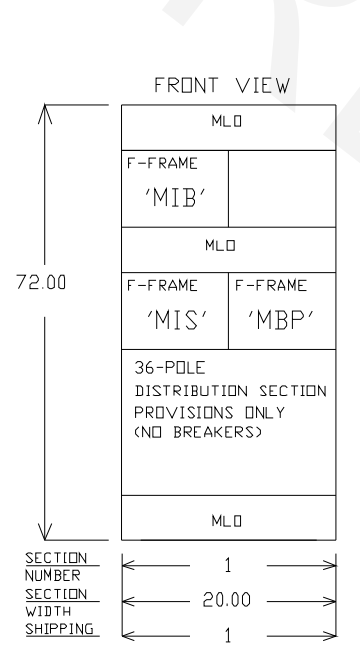
REVISION 1	124100027-004		ORIGINAL BY: EJK	DATE: 01/04/07	Cutler-Hammer RALEIGH SATELLITE	
			APPROVED BY: EJK	DATE: 01/04/07		TITLE MAINTENANCE BYPASS PANEL EATON CORPORATION
			CUSTOMER ID:	SHOP ORDER:	SIZE: A	TYPE: PRL 3A
					SHEET 1 REV 1 JT. 10	ACAD DWG NO 3-BRKR-3A-OPT3

EATON			
Description: MAINT BYPASS PNL - 3 CB 15KVA			
Project:	Format: MS Word	Subclass: COMPONENT	
Created By: J HARDY	Creation Date: 30-AUG-2007	Modified By: GOLDEN_D	Modification Date: 15-MAR-2011
Revision: 2	ECO Number: ECO-018926	Status: RELEASED	Size: AV
Object ID: 124100027			Sheet: 6 of 10
THESE DRAWINGS AND SPECIFICATIONS ARE THE PROPERTY OF EATON CORP. AND SHALL NOT BE REPRODUCED OR COPIED OR USED AS THE BASIS FOR MANUFACTURE OR SALE OF APPARATUS WITHOUT PERMISSION.			

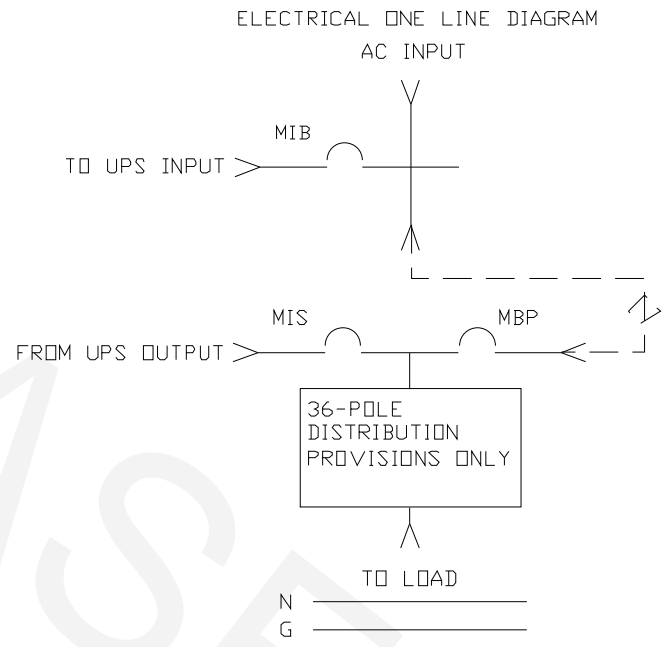
PRL 3A PANELBOARD (WALL MOUNT)
 SERVICE VOLTAGE 208Y/120V 3Ph 4W
 MAIN BUS XXXA NEUTRAL BUS XXXA DENSITY CU BUS
 --> NON SERVICE ENTRANCE
 PANELBOARD CONSTRUCTION MEETS UL-67
 NEMA-1 ENCLOSURE FINISH ANSI-61
 ESTIMATED WEIGHT 450 LBS
 AL GROUND BAR SUPPLIED AS STANDARD
 PANEL INCLUDES SURFACE MOUNT TRIM DOOR AS STANDARD
 1A/1B AUXILLARY CONTACTS ON MBP BREAKER
 FACTORY CABLED CONNECTION FROM INTERIOR LUGS TO MBP BREAKER USING (1) #1 PER PHASE.

LEGEND	
∇	- TERMINAL(S)
↙↘	- CABLE CONNECTED BY FACTORY

TERMINAL WIRE RANGES	
LOAD LUGS 15 kVA	#14 - 1/0
LOAD LUGS 30 kVA	#6 - 300 MCM
BREAKER TERMINALS 15 kVA	#14 - 1/0
BREAKER TERMINALS 30 kVA	#14 - 4/0
NEUTRAL	#6 - 300 MCM
GROUND	#14 - 1/0



**MBP, 3 BREAKER, 15kVA,
 PANELBOARD 22kA**



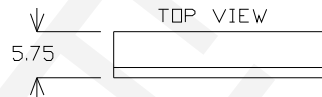
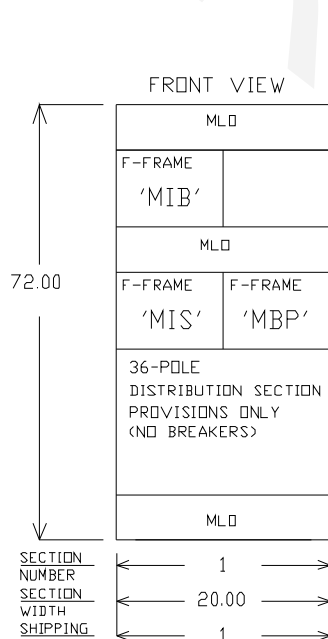
REVISION 1	124100027-006		ORIGINAL BY: EJK	DATE: 01/04/07	Cutler-Hammer RALEIGH SATELLITE	
			APPROVED BY: EJK	DATE: 01/04/07		TITLE MAINTENANCE BYPASS PANEL EATON CORPORATION
			CUSTOMER ID:	SHOP ORDER:	TYPE: PRL 3A	REV 1
			SIZE: A	PKG NO:	SHEET 1 GT:	REV 1 JT: 10
				ACAD DWG NO: 3-BRKR-3A-DPT 2		

EATON			
Description: MAINT BYPASS PNL - 3 CB 15KVA			
Project:	Format: MS Word	Subclass: COMPONENT	
Created By: J HARDY	Creation Date: 30-AUG-2007	Modified By: GOLDEN_D	Modification Date: 15-MAR-2011
Revision: 2	ECO Number: ECO-018926	Status: RELEASED	Size: AV
Object ID: 124100027			Sheet: 7 of 10
THESE DRAWINGS AND SPECIFICATIONS ARE THE PROPERTY OF EATON CORP. AND SHALL NOT BE REPRODUCED OR COPIED OR USED AS THE BASIS FOR MANUFACTURE OR SALE OF APPARATUS WITHOUT PERMISSION.			

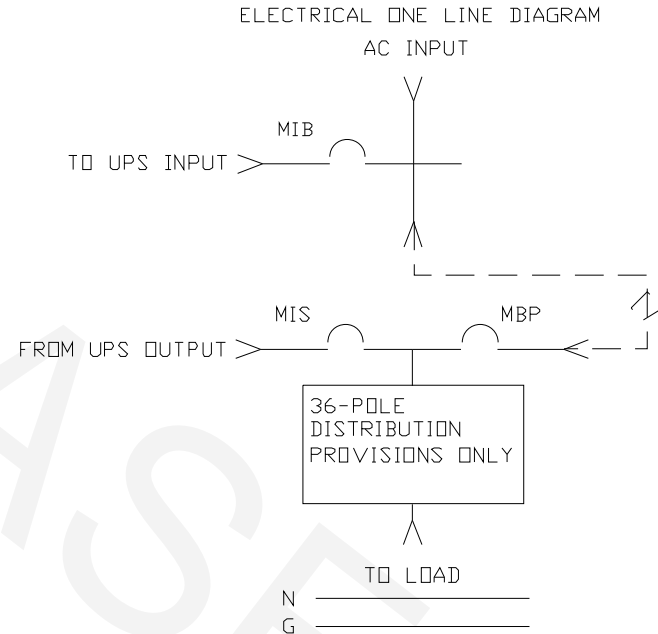
PRL 3A PANELBOARD (WALL MOUNT)
 SERVICE VOLTAGE 208Y/120V 3Ph 4W
 MAIN BUS XXXA NEUTRAL BUS XXXA DENSITY CU BUS
 --> NON SERVICE ENTRANCE
 PANELBOARD CONSTRUCTION MEETS UL-67
 NEMA-1 ENCLOSURE FINISH ANSI-61
 ESTIMATED WEIGHT 450 LBS
 AL GROUND BAR SUPPLIED AS STANDARD
 PANEL INCLUDES SURFACE MOUNT TRIM DOOR AS STANDARD
 1A/1B AUXILLARY CONTACTS ON MBP BREAKER
 FACTORY CABLED CONNECTION FROM INTERIOR LUGS TO MBP BREAKER USING (1) #1 PER PHASE.

LEGEND	
∇	- TERMINAL(S)
↔	- CABLE CONNECTED BY FACTORY

TERMINAL WIRE RANGES	
LOAD LUGS 15 kVA	#14 - 1/0
LOAD LUGS 30 kVA	#6 - 300 MCM
BREAKER TERMINALS 15 kVA	#14 - 1/0
BREAKER TERMINALS 30 kVA	#14 - 4/0
NEUTRAL	#6 - 300 MCM
GROUND	#14 - 1/0



**MBP, 3 BREAKER, 15kVA,
 PANELBOARD 10kA**



REVISION 1	124100027-007		ORIGINAL BY: EJK	DATE: 01/04/07	Cutler-Hammer RALEIGH SATELLITE	
			APPROVED BY: EJK	DATE: 01/04/07		TITLE: MAINTENANCE BYPASS PANEL EATON CORPORATION
			CUSTOMER ID:	SHOP ORDER:	TYPE: PRL 3A	
			SIZE: A	FRSM NO:	SHEET 1 OF 10	REV 1 IT 10 ACAD DWG NO 3-BRKR-3A-DPT2

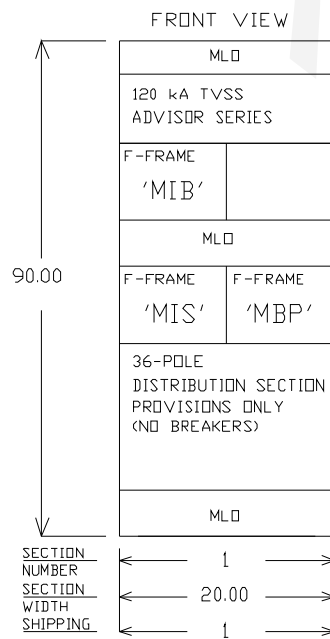
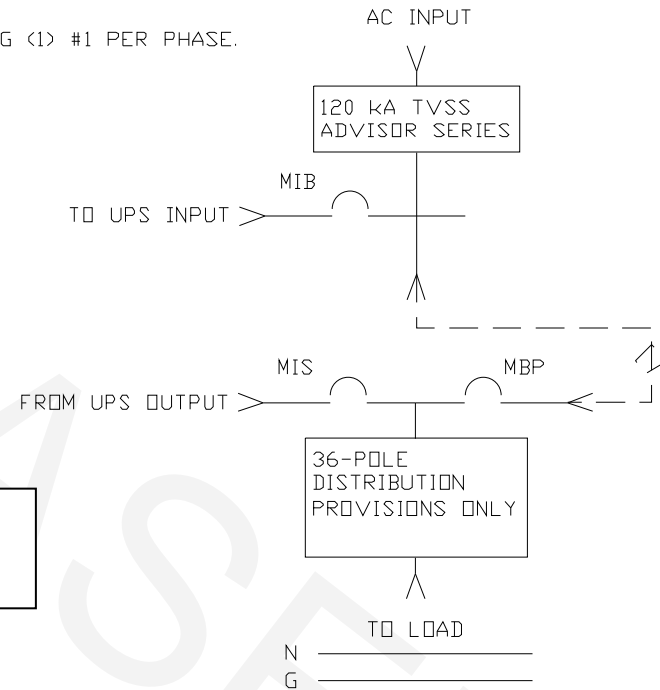
EATON			
Description: MAINT BYPASS PNL - 3 CB 15KVA			
Project:	Format: MS Word	Subclass: COMPONENT	
Created By: J HARDY	Creation Date: 30-AUG-2007	Modified By: GOLDEN_D	Modification Date: 15-MAR-2011
Revision: 2	ECO Number: ECO-018926	Status: RELEASED	Size: AV
Object ID: 124100027			Sheet: 8 of 10
THESE DRAWINGS AND SPECIFICATIONS ARE THE PROPERTY OF EATON CORP. AND SHALL NOT BE REPRODUCED OR COPIED OR USED AS THE BASIS FOR MANUFACTURE OR SALE OF APPARATUS WITHOUT PERMISSION.			

PRL 3A PANELBOARD (WALL MOUNT)
 SERVICE VOLTAGE 208Y/120V 3Ph 4W
 MAIN BUS XXXA NEUTRAL BUS XXXA DENSITY CU BUS
 --> NON SERVICE ENTRANCE
 PANELBOARD CONSTRUCTION MEETS UL-67
 NEMA-1 ENCLOSURE FINISH ANSI-61
 ESTIMATED WEIGHT 500 LBS
 AL GROUND BAR SUPPLIED AS STANDARD
 PANEL INCLUDES SURFACE MOUNT TRIM DOOR AS STANDARD
 1A/1B AUXILLARY CONTACTS ON MBP BREAKER
 FACTORY CABLED CONNECTION FROM INTERIOR LUGS TO MBP BREAKER USING (1) #1 PER PHASE.

LEGEND	
∇	- TERMINAL(S)
↔	- CABLE CONNECTED BY FACTORY

TERMINAL WIRE RANGES	
LOAD LUGS 15 kVA	#14 - 1/0
LOAD LUGS 30 kVA	#6 - 300 MCM
BREAKER TERMINALS 15 kVA	#14 - 1/0
BREAKER TERMINALS 30 kVA	#14 - 4/0
NEUTRAL	#6 - 300 MCM
GROUND	#14 - 1/0

ELECTRICAL ONE LINE DIAGRAM



MBP, 3 BREAKER, 15kVA, TVSS & PANELBOARD 22 kA

REVISION 1	124100027-008		ORIGINAL BY: EJK	DATE: 01/04/07	Cutler-Hammer EATON RALEIGH SATELLITE	
			APPROVED BY: EJK	DATE: 01/04/07		TITLE: MAINTENANCE BYPASS PANEL EATON CORPORATION
			CUSTOMER ID:	SHOP ORDER:	SUC: A	FROM NO: SHEET 1
					REV 1	ACAD DWG NO 3-BRKR-3A-OPT3

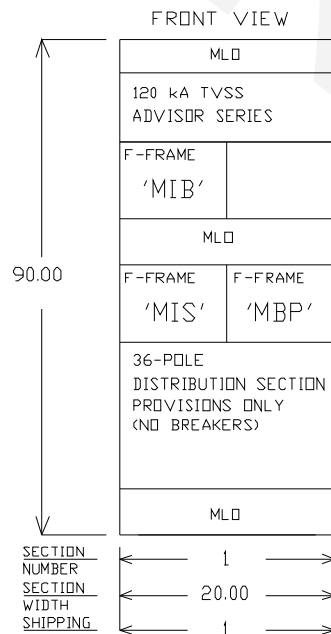
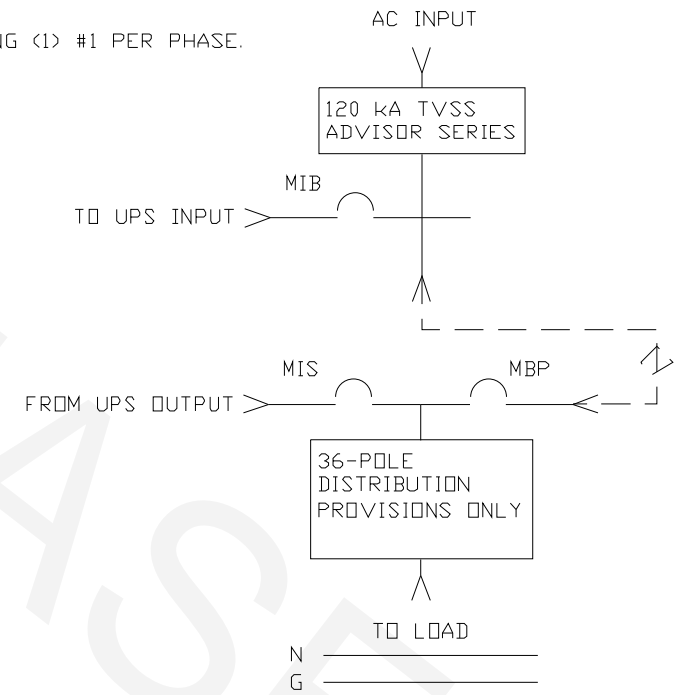
EATON			
Description: MAINT BYPASS PNL - 3 CB 15KVA			
Project:	Format: MS Word	Subclass: COMPONENT	
Created By: J HARDY	Creation Date: 30-AUG-2007	Modified By: GOLDEN_D	Modification Date: 15-MAR-2011
Revision: 2	ECO Number: ECO-018926	Status: RELEASED	Size: AV
Object ID: 124100027			Sheet: 9 of 10
THESE DRAWINGS AND SPECIFICATIONS ARE THE PROPERTY OF EATON CORP. AND SHALL NOT BE REPRODUCED OR COPIED OR USED AS THE BASIS FOR MANUFACTURE OR SALE OF APPARATUS WITHOUT PERMISSION.			

PRL 3A PANELBOARD (WALL MOUNT)
 SERVICE VOLTAGE 208Y/120V 3Ph 4W
 MAIN BUS XXXA NEUTRAL BUS XXXA DENSITY CU BUS
 --> NON SERVICE ENTRANCE
 PANELBOARD CONSTRUCTION MEETS UL-67
 NEMA-1 ENCLOSURE FINISH ANSI-61
 ESTIMATED WEIGHT 500 LBS
 AL GROUND BAR SUPPLIED AS STANDARD
 PANEL INCLUDES SURFACE MOUNT TRIM DOOR AS STANDARD
 1A/1B AUXILLARY CONTACTS ON MBP BREAKER
 FACTORY CABLED CONNECTION FROM INTERIOR LUGS TO MBP BREAKER USING (1) #1 PER PHASE.

LEGEND
 √ - TERMINAL(S)
 ⊏ - CABLE CONNECTED BY FACTORY

TERMINAL WIRE RANGES	
LOAD LUGS 15 kVA	#14 - 1/0
LOAD LUGS 30 kVA	#6 - 300 MCM
BREAKER TERMINALS 15 kVA	#14 - 1/0
BREAKER TERMINALS 30 kVA	#14 - 4/0
NEUTRAL	#6 - 300 MCM
GROUND	#14 - 1/0

ELECTRICAL ONE LINE DIAGRAM



MBP,3 BREAKER, 15KVA, TVSS & PANELBOARD 10 kA

REVISION 1	124100027-009		ORIGINAL BY: EJK	DATE: 01/04/07	Cutler-Hammer RALEIGH SATELLITE	
			APPROVED BY: EJK	DATE: 01/04/07		TITLE: MAINTENANCE BYPASS PANEL EATON CORPORATION
			CUSTOMER ID:	SHOP ORDER:	TYPE: PRL 3A	ACAD DWG NO 3-BRKR-3A-DPT3
			SIZE: A	PERSON NO:	SHEET 1 OF 10	REV 1

EATON			
Description: MAINT BYPASS PNL - 3 CB 15KVA			
Project:	Format: MS Word	Subclass: COMPONENT	
Created By: J HARDY	Creation Date: 30-AUG-2007	Modified By: GOLDEN_D	Modification Date: 15-MAR-2011
Revision: 2	ECO Number: ECO-018926	Status: RELEASED	Size: AV
Object ID: 124100027			Sheet: 10 of 10
THESE DRAWINGS AND SPECIFICATIONS ARE THE PROPERTY OF EATON CORP. AND SHALL NOT BE REPRODUCED OR COPIED OR USED AS THE BASIS FOR MANUFACTURE OR SALE OF APPARATUS WITHOUT PERMISSION.			