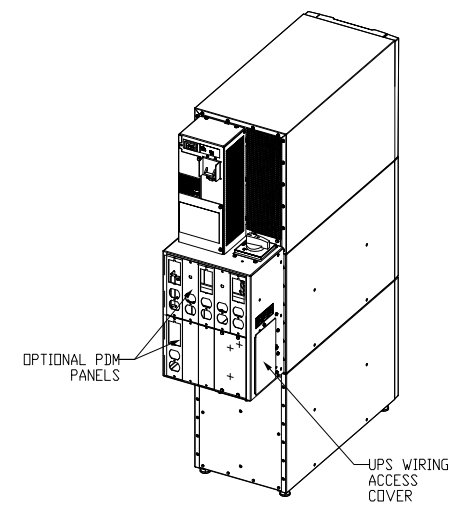
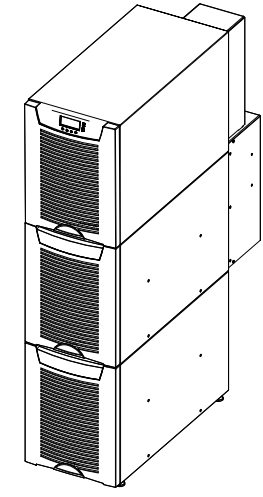
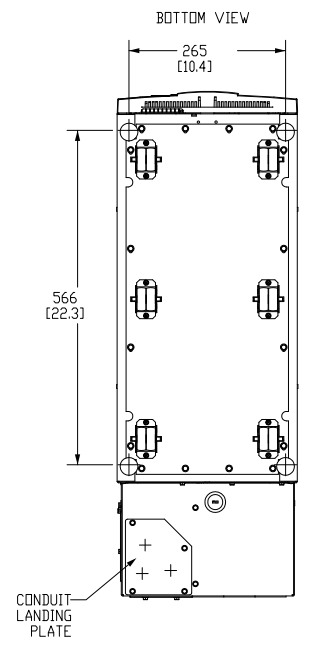
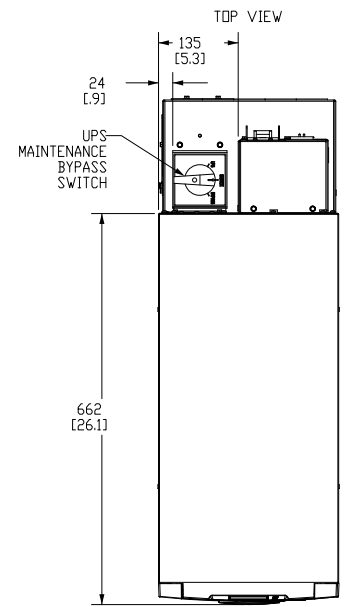


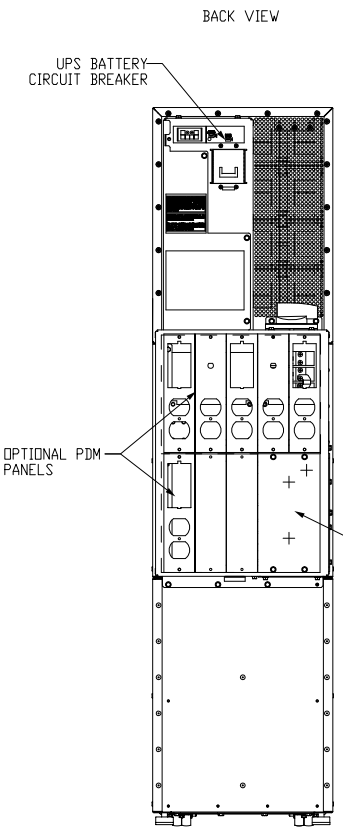
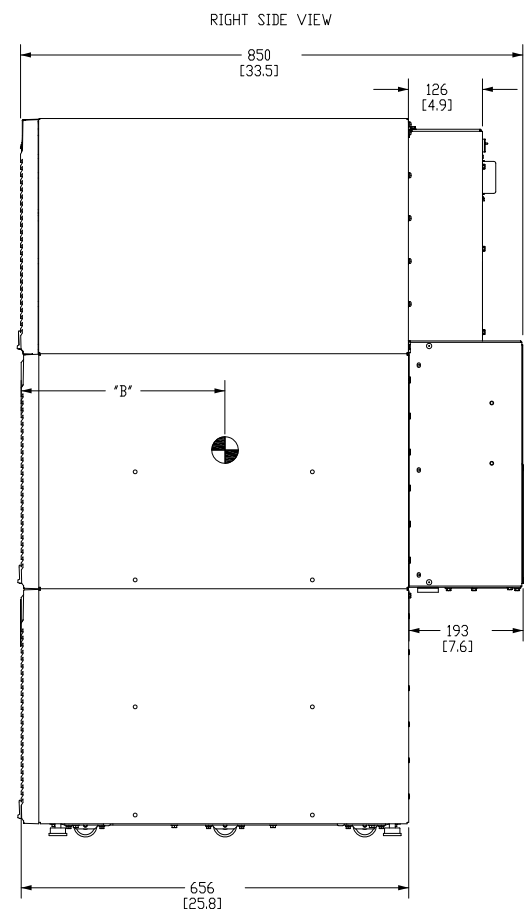
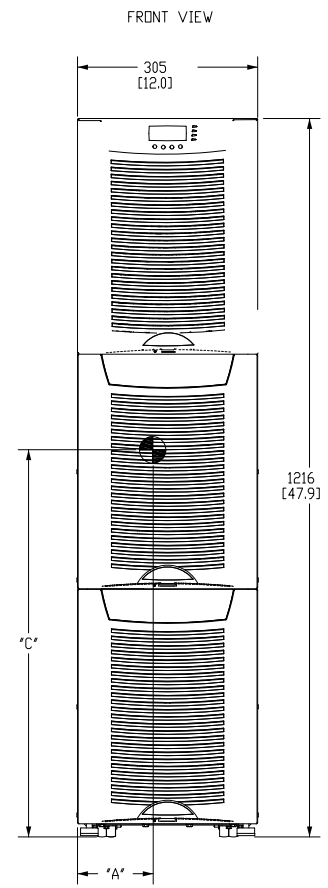
WEIGHT AND CENTER OF GRAVITY				
	A	B	C	WEIGHT
	MM [INCH]	MM [INCH]	MM [INCH]	KG [LBS]
9355, 8-15kVA UPS 3 HIGH	81 [3.2]	452 [17.8]	610 [24.0]	276 [609]

- NOTES:
1. THE SYSTEM MUST BE INSTALLED ON A LEVEL FLOOR SURFACE SUITABLE FOR COMPUTER OR ELECTRONIC EQUIPMENT.
  2. CONTROL WIRING ENTRY THROUGH REMOVABLE CONDUIT LANDING PLATE.
  3. THE SYSTEM MUST BE INSTALLED IN A TEMPERATURE AND HUMIDITY CONTROLLED INDOOR AREA FREE OF CONDUCTIVE CONTAMINANTS.
  4. AMBIENT TEMPERATURE RANGE 5-40°C [41-104degF] AT AN OPERATING ELEVATION UP TO 3000M WITHOUT DERATING. STORAGE TEMPERATURE -25 to +55°C. RELATIVE HUMIDITY (OPERATING AND STORAGE) 5% TO 95% MAX NON CONDENSING.
  5. UPS CABINET CLEARANCES:  
 STORAGE TEMPERATURE -25 to +55°C.  
 FRONT OF THE CABINET: 914MM [36.0"]  
 RIGHT OF THE CABINET: 914MM [36.0"]  
 LEFT OF THE CABINET: NONE  
 VENTILATION REAR: 152MM [6.0"] WITHOUT PDM INSTALLED; WITH PDM INSTALLED, CLEARANCE OF 304MM [12.0"] OR DETERMINED BY CUSTOMER-SUPPLIED MATING PLUG.
  6. MINIMUM REQUIRED AIR FLOW FOR CABINET AT FULL LOAD IS 800 CFM.
  7. ALL WIRING IN ACCORDANCE WITH NATIONAL AND LOCAL ELECTRIC CODES.
  8. WEIGHT OF THE CABINET DOES NOT INCLUDE CUSTOMER WIRING.
  9. AC INPUT TO UPS RECTIFIER / BYPASS: 3 PHASES, NEUTRAL, GROUND.  
 AC OUTPUT TO LOAD: 3 PHASES, NEUTRAL, GROUND.  
 DC INPUT TO UPS (EXTERNAL BATTERY ONLY): POSITIVE, NEGATIVE, GROUND.
  10. THE NOMINAL INPUT/OUTPUT VOLTAGES ARE:  
 120/208 OR 127/220 VAC (UPS ONLY OR PARALLEL SYSTEM)
  11. SPECIFICATIONS ARE SUBJECT TO CHANGE.



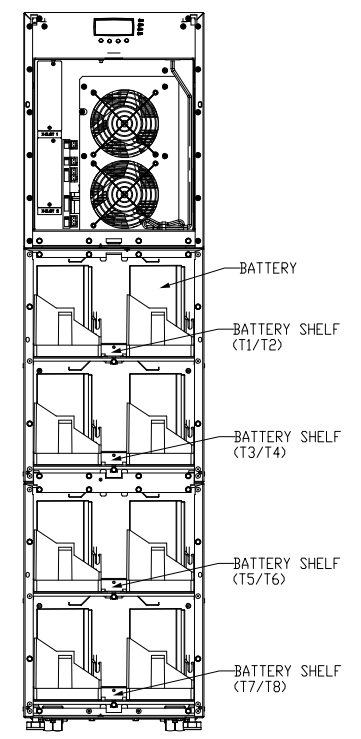
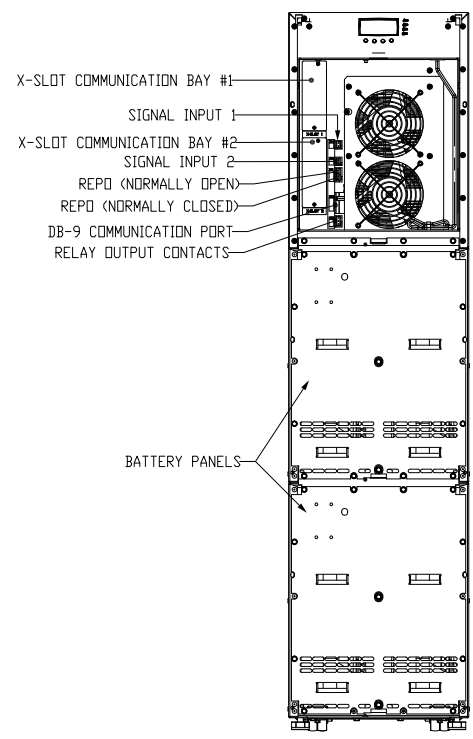
SCALE 1:10  
FRONT-SIDE  
ISOMETRIC VIEW

SCALE 1:10  
BACK-SIDE  
ISOMETRIC VIEW



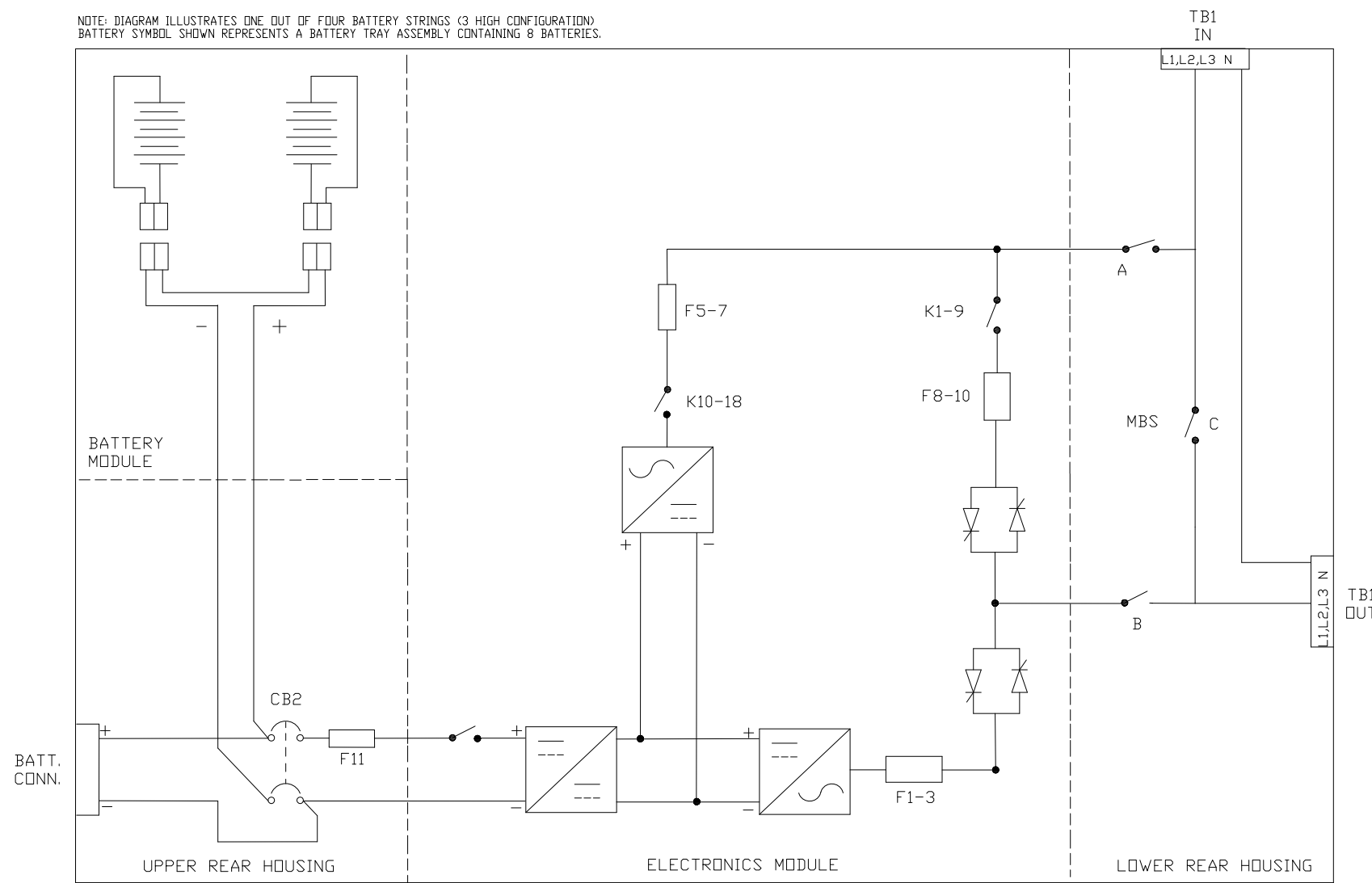
FRONT VIEW, NO FRONT PANELS

FRONT VIEW, NO FRONT PANELS  
NO BATTERY PANEL



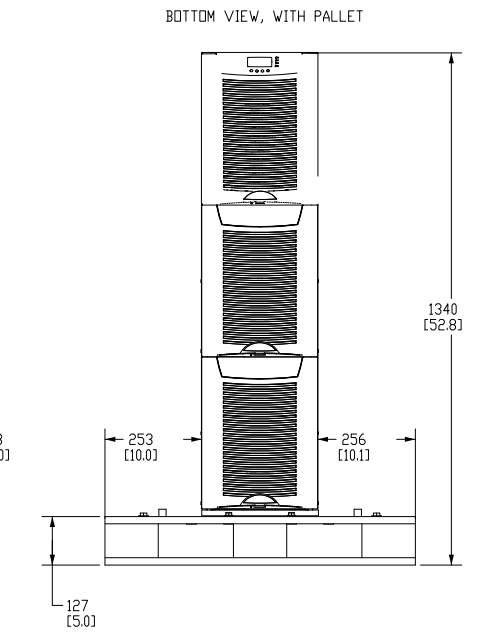
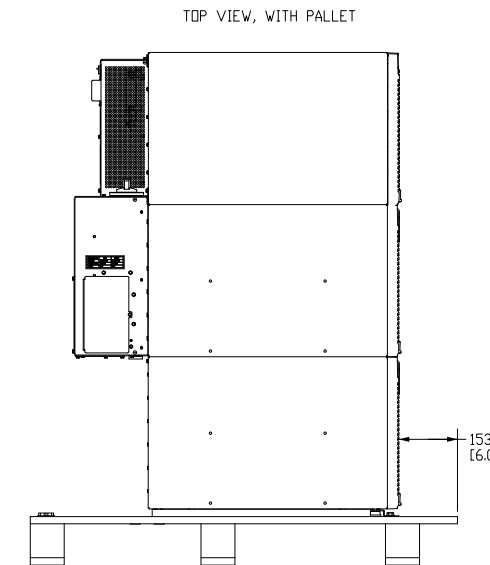
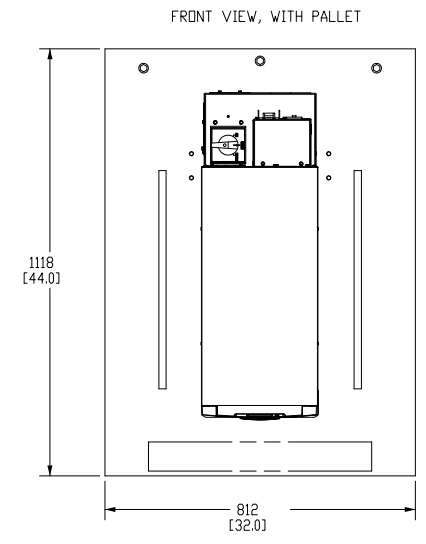
METRIC	THIRD ANGLE PROJECTION	EATON CORPORATION		<b>EATON</b>
DIMENSIONS ARE IN MILLIMETERS AFTER PLATING. DIMENSIONS AND TOLERANCES IN ACCORDANCE WITH ASME Y14.5M-1994. SEE NOTES FOR TOLERANCES.				
DESCRIPTION: 9355 8-15kVA UPS 3HIGH SITE PLAN				
DESIGNER: A. PANWAR	23-DCT-2018	ECD: ECD-153072	NAME:	REVISION: 01
CHECKED:		DOCUMENT TYPE:	P-110000687	STATE: 17500
SAFETY:		PROJ-E: DRAWING		RELEASE SHEET: 1 OF 2
APPROVED:				
<small>EATON CORPORATION - CONFIDENTIAL AND PROPRIETARY. NOTICE TO PERSONS RECEIVING THIS DOCUMENT AND/OR TECHNICAL INFORMATION: THIS DOCUMENT IS THE PROPERTY OF EATON CORPORATION AND IS TO BE KEPT CONFIDENTIAL AND IS NOT TO BE REPRODUCED OR TRANSMITTED IN ANY FORM OR BY ANY MEANS, ELECTRONIC OR MECHANICAL, INCLUDING PHOTOCOPYING, RECORDING, OR BY ANY INFORMATION STORAGE AND RETRIEVAL SYSTEM, WITHOUT THE WRITTEN PERMISSION OF EATON CORPORATION. THE USER'S AGREEMENT TO THESE TERMS AND CONDITIONS IS A CONDITION OF RECEIVING THIS DOCUMENT. IN THE EVENT OF CONFLICTING CONTRACTUAL PROVISIONS, THIS NOTICE SHALL GOVERN THE STATUS OF THIS DOCUMENT.</small>				

NOTE: DIAGRAM ILLUSTRATES ONE OUT OF FOUR BATTERY STRINGS (3 HIGH CONFIGURATION)  
BATTERY SYMBOL SHOWN REPRESENTS A BATTERY TRAY ASSEMBLY CONTAINING 8 BATTERIES.



ONE LINE DIAGRAM FOR 9355 8-15KVA 3HIGH UPS WITH INTERNAL BATTERIES

MBS	UPS	SERVICE	BYPASS
A	CLOSED	CLOSED	OPEN
B	CLOSED	OPEN	OPEN
C	OPEN	CLOSED	CLOSED



- NOTES:
- USE ONLY 90°C-RATED COPPER WIRE. MINIMUM WIRE SIZE IS BASED ON 120/208 FULL LOAD RATINGS APPLIED TO NATIONAL ELECTRICAL CODE (NEC) TABLE 310.15(B)(16). CODE MAY REQUIRE A LARGER AWG SIZE THAN SHOWN IN THIS TABLE BECAUSE OF TEMPERATURE, NUMBER OF CONDUCTORS IN THE CONDUIT, OR LONG SERVICE RUNS. FOLLOW LOCAL REQUIREMENTS.
  - PER NEC ARTICLE 300-20(A) FOR FERROUS METAL RACEWAYS, ALL THREE-PHASE CONDUCTORS MUST BE RUN IN THE SAME CONDUIT. NEUTRAL AND GROUND MUST BE RUN IN THE SAME CONDUIT AS THE PHASE CONDUCTORS.
  - CONDUIT IS SIZED TO ACCOMMODATE ONE NEUTRAL CONDUCTOR THE SAME SIZE AS THE PHASE CONDUCTOR AND ONE GROUND CONDUCTOR. IF TWO NEUTRAL CONDUCTORS OR AN OVERSIZED NEUTRAL CONDUCTOR ARE TO BE INSTALLED, CHECK THE SIZE OF THE CONDUIT NEEDED TO ACCOMMODATE THE EXTRA WIRE OR SIZE AND USE THAT CONDUIT SIZE IN PLACE OF THE CONDUIT SIZE LISTED. CONDUIT SIZES WERE CHOSEN FROM NEC TABLE C1, TYPE LETTERS RHH, RHW, RHW-2, TW, THW, THW-2.

BREAKER AND FUSE INFORMATION		
BREAKER / FUSE APPLICATION	MANUFACTURER	PART NUMBER
BATTERY BREAKER	AIRPAX	229-2-IRECS-33735-100
INPUT FUSE	COOPER BUSSMAN	80 LET
OUTPUT FUSE	COOPER BUSSMAN	80 LET
BYPASS FUSE	COOPER BUSSMAN	125 LET

9355 8-15kVA UPS 3HIGH	PACKAGED ENVELOPE DIMENSIONS MM [INCHES]		
	WIDTH	DEPTH	HEIGHT
	812 [32]	1118 [44.0]	1375 [54.1]

METRIC		EATON CORPORATION		EATON	
DESCRIPTION: 9355 8-15kVA UPS 3HIGH SITE PLAN					
DESIGNED BY: A. PANWAR	23-DCT-2018	ECD: ECD-153072	NAME:	REVISION: 01	SIZE: A1
CHECKED:	DOCUMENT TYPE:	P-110000687	STATE:	RELEASE	SCALE:
SAFETY:	PROJ-E DRAWING				SHEET:
APPROVED:					2 OF 2