
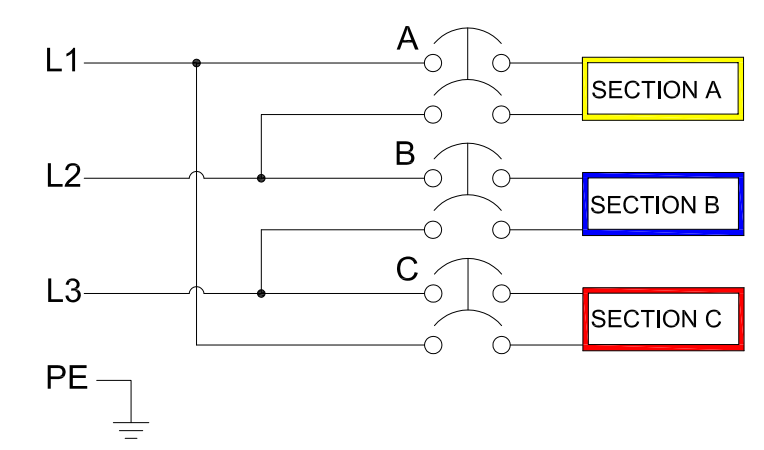




EBA302-10  
G3 BASIC

FUNCTIONALITY	INPUT	OUTPUT	OPERATING TEMPERATURE
POWER DISTRIBUTION	NEMA L21-20P 10FT 12AWG / 5C POWERCORD	(30) IEC 60320 C13 GRIP (6) IEC 60320 C19 GRIP	32° TO 140° F 0° TO 60° C
MECHANICAL	INPUT RATING	OUTPUT RATING	CERTIFICATIONS
66.50" (1689mm) LENGTH 2.05" (52mm) WIDTH 2.09" (53mm) DEPTH ALUMINUM CHASSIS, BLACK	120/208V~ WYE 3W+N+PE 16A 50/60HZ	200-240V~ 15A PER C13 16A PER C19 16A MAX PER SECTION 16A MAX PER PHASE	
CIRCUIT BREAKERS	FILTER AND SPIKE/SURGE	ACCESSORIES	CONFIGURATION
(3) 20A 2-POLE LISTED	NONE	INCLUDED SPK012 - INSTALLATION	EBA3PB15JGJ78A1



TITLE	ePDU G3 SPECIFICATION EBA302-10	DRAW	J. SMITH	2014-01-07
DWG NO.	EBA3PB15JGJ78A1_SP REV 001	DESIGN		
MATERIAL		CHECKED		
COATING		SAFETY		
UNITS	in[mm]	APPROVED		
SHEET	1/1	 <b>ELECTRICAL SECTOR</b>		
 SCALE 1:5				