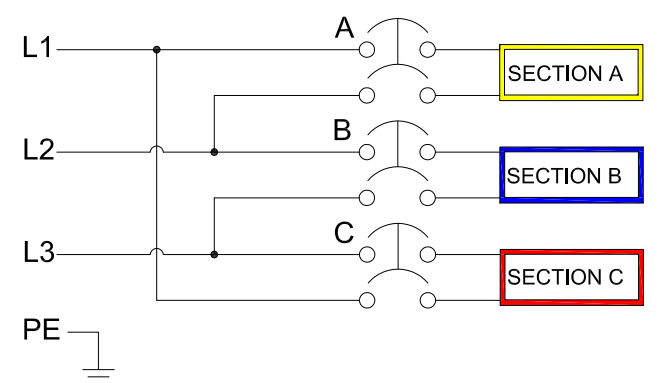


EBA312-10
G3 BASIC

FUNCTIONALITY	INPUT	OUTPUT	OPERATING TEMPERATURE
POWER DISTRIBUTION	NEMA L21-20P 10FT 12AWG / 5C POWERCORD	(42) IEC 60320 C13 GRIP	32° TO 140° F 0° TO 60° C
MECHANICAL	INPUT RATING	OUTPUT RATING	CERTIFICATIONS
69.50" (1765mm) LENGTH 2.05" (52mm) WIDTH 2.09" (53mm) DEPTH ALUMINUM CHASSIS, BLACK	120/208V~ WYE 3W+N+PE 16A 50/60HZ	200-240V~ 15A PER OUTLET 16A MAX PER SECTION 16A MAX PER PHASE	
CIRCUIT BREAKERS	FILTER AND SPIKE/SURGE	ACCESSORIES	CONFIGURATION
(3) 20A 2-POLE LISTED	NONE	INCLUDED SPK012 - INSTALLATION	EBA3PB15JGL79A1



TITLE	ePDU G3 SPECIFICATION EBA312-10	DRAW	J. SMITH	2014-01-07
DWG NO.	EBA3PB15JGL79A1_SP REV 001	CHECKED		
MATERIAL		SAFETY		
COATING		APPROVED		
UNITS	in[mm]	A3	SCALE	EATON ELECTRICAL SECTOR
SHEET	1/1			