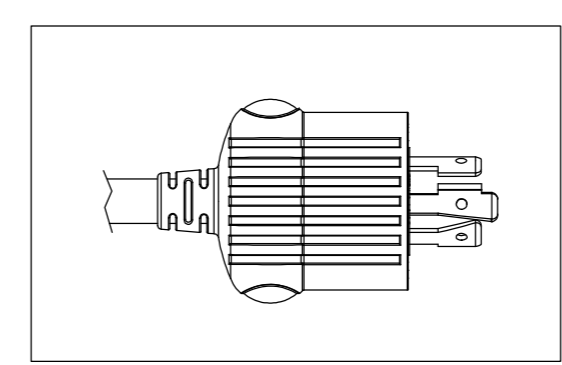
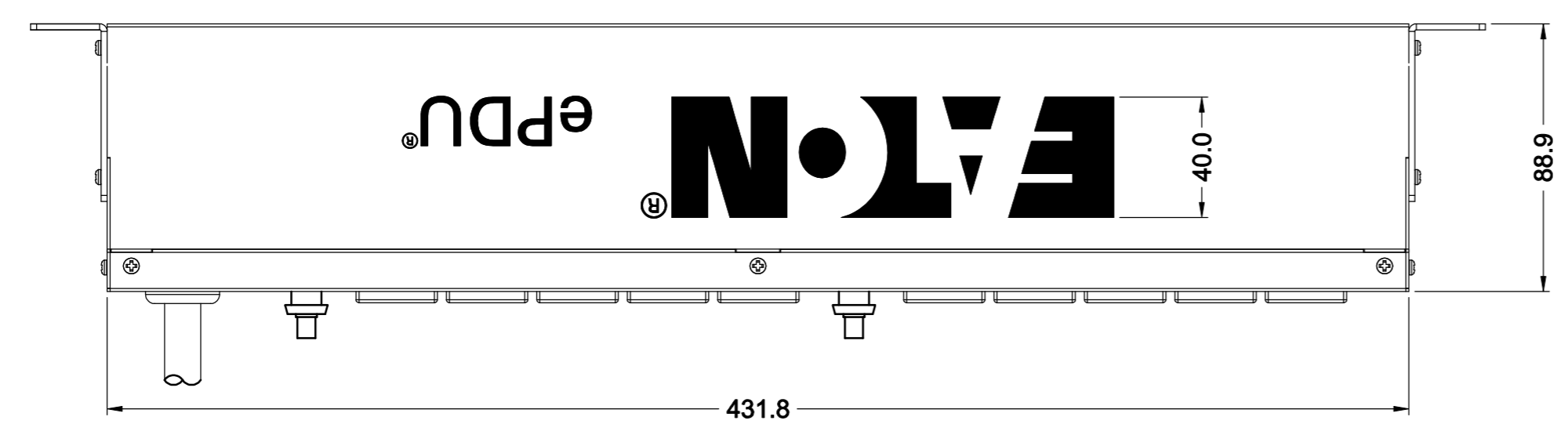
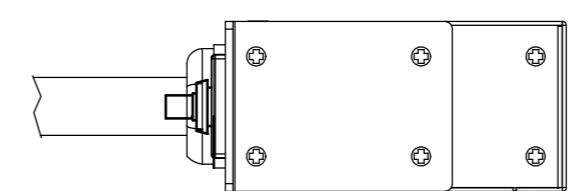
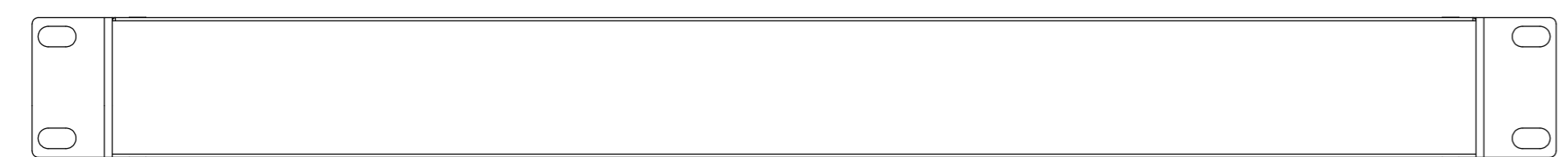


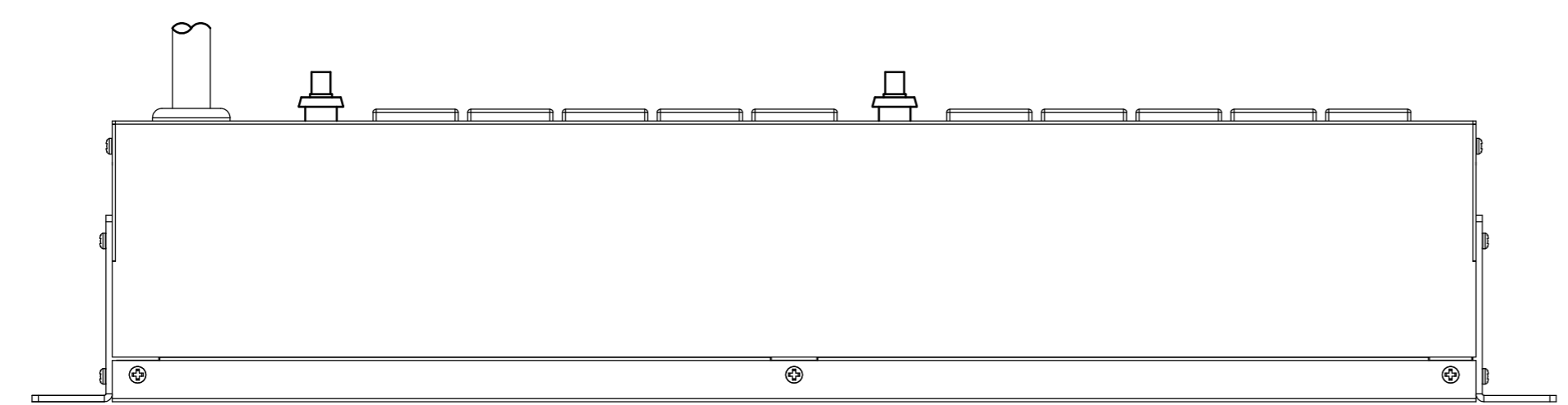
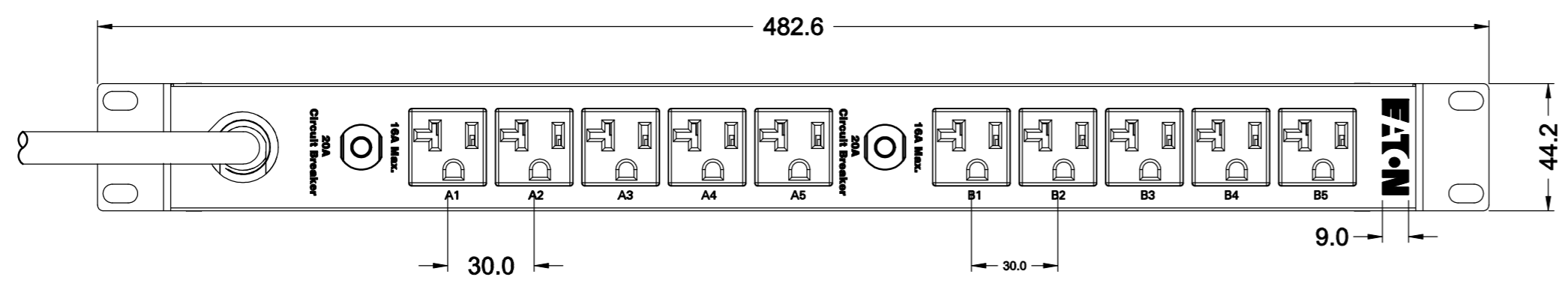
VER	DATE	UPDATE	APP'D
A	2011/05/23	release	
B	2011/06/28	remove "EATON ePDU" LOGO on bottom	

03

Part Number.....ePBZ84  
 Mounting.....Horizontal (1U)  
 Over Current Protection.....MP CB-1P/20A x 2 (UL489)  
 Power Switch.....N/A  
 Rating.....24A / 120 Vac  
 Input.....NEMA L5-30P  
 Outlet.....NEMA 5 - 20R x 10  
 Power Cord.....10AWG / 3C, 10FT  
 UL Standard.....UL60950-1  
 Certification.....UL



NEMA L5-30P 30A/125V~



NOTE: all dimension for reference only.



Size: A2	NAME	DATE	DIMENSION TOLERANCE	MATERIAL	
DRAWN	TYC	2011/05/23	X±0.3 mm	see Note	EPBZ84-APR
CHECKED	TYC	2011/05/23	.X±0.1 mm		
APP'D	JSL	2011/05/23	.XX±.05 mm	SHEET	PART NO: R217-
SCALE: 1:2	VERSION: B		X°± 1°	1 OF 1	DRAW NO: R217