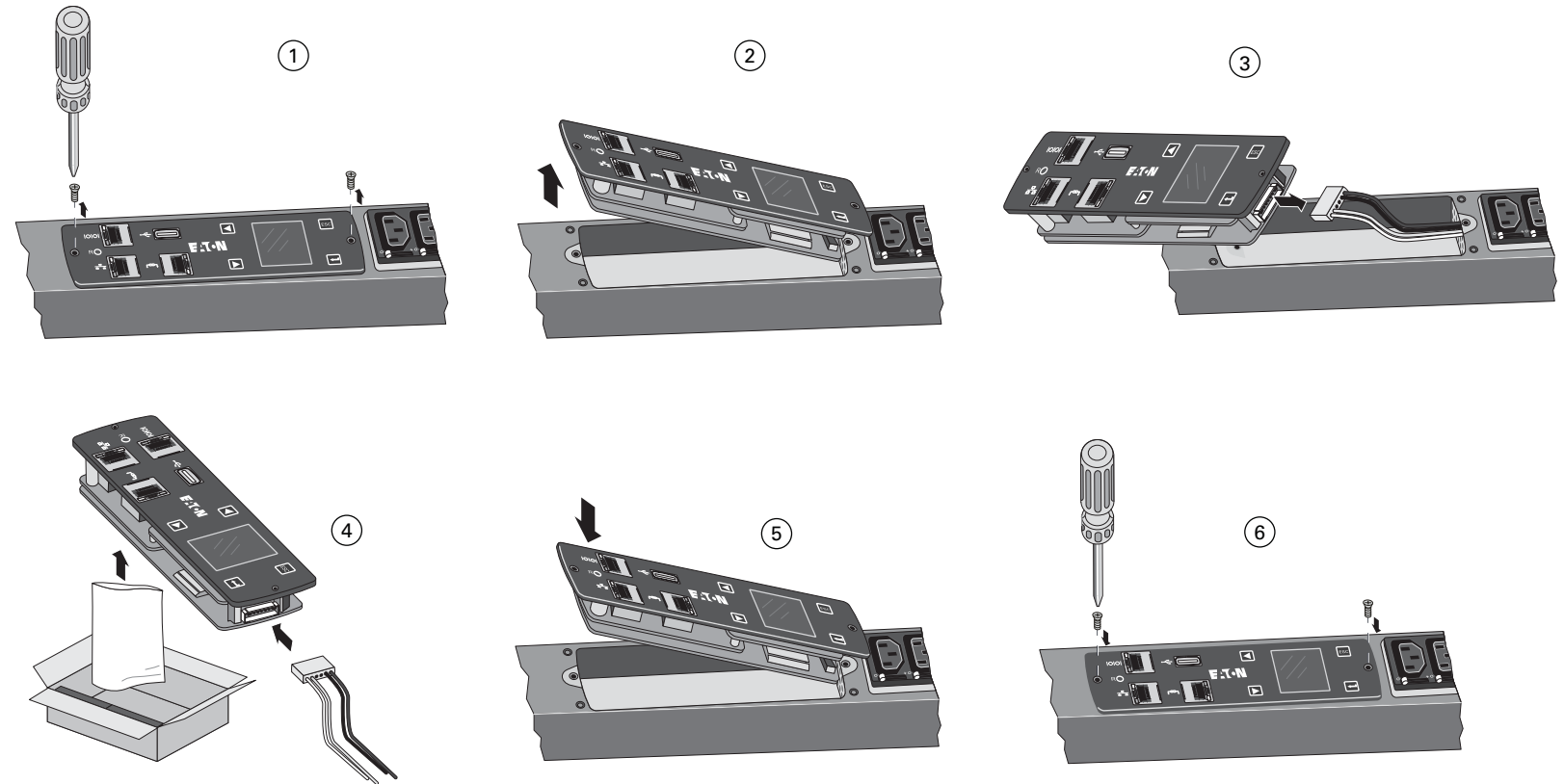
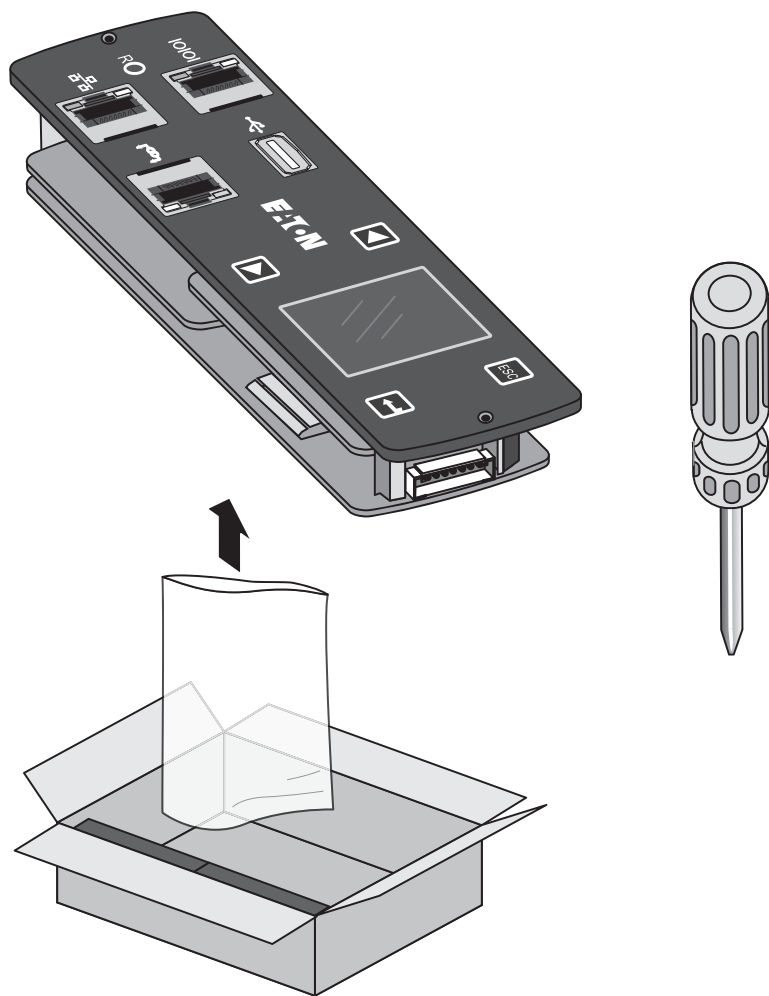


REPLACE THE MODULE

This document contains instructions that you should follow during installation and configuration of the Eaton ePDU Network Management and Control (eNMC) module. Please read all instructions before installing or operating the equipment.



PRECAUTIONS

- Handle the eNMC module with care. Be aware that there is a risk of electrostatic discharge (ESD).
- As a preventive measure, wear ESD protection such as an ESD shoe strap while replacing the eNMC module.
- Do not put stress on the connection cable during installation.
- The eNMC module is hot-swappable. This means that outlets are not affected by the replacement. They do not change state (outlets do not turn Off if On).

REPLACEMENT PROCEDURE

To replace the eNMC module:

1. Remove the two eNMC module mounting screws.
2. Tilt up one side of the eNMC module and locate the attached cable harness.
3. Disconnect the cable harness and remove the eNMC module.
4. Remove the new eNMC module from the box and unwrap it.
5. Connect the cable harness to the new eNMC module.
6. Reinsert the new eNMC module and reinstall the two eNMC module mounting screws.
7. The new eNMC module will not have the same MAC address as the one you are replacing. Ensure the old MAC address label is discarded and that new MAC address label is firmly adhered to the product.

Note: After the new eNMC module is connected, the “internal communication error” message displays until the configuration file is uploaded to the eNMC module.



Read and understand safety and operating information before using this equipment.

CONFIGURE THE MODULE

DESCRIPTION

A hardware configuration file specific to the ePDU model needs to be uploaded to the new eNMC module so that the eNMC module knows the characteristics of the ePDU model in which it resides (such as what type of input, how many circuit breakers, how many outlets, and how measurements should be displayed).

Typically, the eNMC module in your ePDU is being replaced because it is not working. In this case, you need to get a copy of the ePDU model's hardware configuration file from the Product Model Web site, from another working ePDU of the same model type and configuration, **call Eaton service support, or contact the Eaton representative in your country.** Then, you need to upload the ePDU model-specific hardware description file to the new eNMC after it is installed.

NOTE: If you are replacing a working eNMC module, the resident ePDU model's hardware description file can be downloaded before you remove the eNMC module to a USB drive or your computer using FTP. Then, you can restore this file to the new eNMC after you install it.

NOTE: Refer to the *ePDU G3 Operations Manual* for more information about saving and uploading the user configuration files that store the settings customized by the user, such as the network parameters, outlet names, and threshold values.

1 COPY AN EPDU HARDWARE CONFIGURATION FILE

FROM A WORKING ENMC MODULE TO A USB DRIVE

1. Make sure the eNMC module is powered ON. Connect a USB flash drive to a working ePDU.

IMPORTANT: This ePDU must be of the same model type and configuration as the ePDU that houses the eNMC you will replace.

2. When the LCD interface pop-up confirms that the USB flash drive is detected, click OK, and press Enter to return to the Main Menu. (If not confirmed within 10 seconds, the pop-up goes away by itself.)
3. From the Settings menu, select USB Flash Mode. Press Enter, select yes to confirm, and then press Enter again. The module restarts. (If there is no action within one minute, the eNMC module exits USB Flash Mode. Remove and reinsert the flash drive to access this menu again.)
4. Select Save eNMC file to save the ePDU hardware configuration file to the USB drive. The file will save to the eNMC/config/hw path at the USB drive root directory.

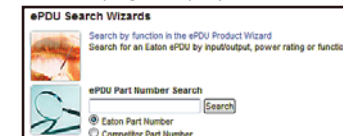


5. When the file is saved, click OK to confirm.

FROM THE WEB TO YOUR COMPUTER

NOTE: This procedure is not applicable for EMEA or APAC installations.

1. Enter the part number of your ePDU in the Eaton Product Wizards "ePDU Part Number Search" field. Click Search. The Search Results page displays.



2. On the Search Results page, click the linked part number under the part number column. The specified ePDU Product page opens.

Part Number	Style Number	Function	U Height	Max kW	Plug
EATON METERED INPUT EPDU					
Top Sellers 0-2 week lead time					
EM1100-10	EM1100-10	MI	DU	1.44	5-15P

3. Copy and save the ePDU model-specific hardware configuration file to your computer using the link near the bottom of the page.

NOTE: The link to the configuration file only displays if you are signed in.

IMPORTANT: Be sure that the Configuration number on the unit rating label also appears in the file name of the model-specific ePDU hardware configuration file.

2 UPLOAD AN EPDU HARDWARE CONFIGURATION FILE TO THE ENMC MODULE

FROM THE USB DRIVE TO THE ENMC MODULE

NOTE: To perform the upload with a USB, only one ePDU hardware configuration file must be stored in the USB drive.

1. Make sure the eNMC module is powered ON. Connect the USB flash drive to the ePDU with the new eNMC.
2. When the LCD interface pop-up confirms that the USB flash drive is detected, click OK, then press Enter to return to the Main Menu. (If not confirmed within 10 seconds, the pop-up goes away by itself.)
3. From the LCD Settings menu, select USB Flash Mode. Press Enter, select yes to confirm, and then press Enter again. The module restarts. (If there is no action within one minute, the eNMC module exits USB Flash Mode. Remove and reinsert the USB flash drive to access this menu again.)
4. Select Load eNMC file, then click OK to upload the ePDU hardware configuration file to the eNMC.
5. When the file is successfully loaded, click OK to confirm.
6. Remove the USB flash drive and select Exit.

FROM YOUR COMPUTER TO THE ENMC MODULE USING FTP

1. Open a DOS command window on a computer that is also connected to network.
2. Change directory (CD) to the location of the hardware configuration (XML) file.
3. Open an FTP session using the following command: `>ftp <IPAddress>`, where `<IPAddress>` = the IP address displayed on LCD.
4. Type the login and password default ("admin" and "admin").
5. At the command prompt, type `>cd config/hw`, then type `>dir`.
6. If an ePDU hardware configuration (XML) file already exists, type the following command to delete the file: `>delete <config file>`.
7. To upload the ePDU hardware configuration file to the eNMC module, type the following command: `>put <config file>`, where `<config file>` = the name of the file to be downloaded to the eNMC module.

NOTE: Keep the `<config file>` name exactly as it is downloaded from the website. It must begin with the prefix "epdu_cfg_" or the eNMC module will not recognize it.

8. At the command prompt, type `>dir` to verify the file has been uploaded, then type `>quit`.

3 REBOOT AND RESET THE ENMC MODULE TO FACTORY DEFAULT SETTINGS

1. Reboot the eNMC module using the reset button.
2. Reset the eNMC module to factory default settings using one of the following:
 - Web interface (System > Network Management Card Configuration panel > Restore Factory default settings > Yes)
 - LCD menu (Settings > Factory > Return to Factory Settings > Yes > OK)

NOTE: The reboot and reset steps must be performed or the new configuration will not be properly accepted by the eNMC module. To see if the new configuration was accepted, you can check to see if the serial number displays from the ePDU Info menu. If not, the new configuration was not accepted. Perform step 2 (reset to defaults) again.

NOTE: After the ePDU hardware configuration file is uploaded and eNMC module is rebooted and reset to factory defaults, the ePDU returns to default settings and the energy counter restarts from 0. Only the serial number is recovered.

