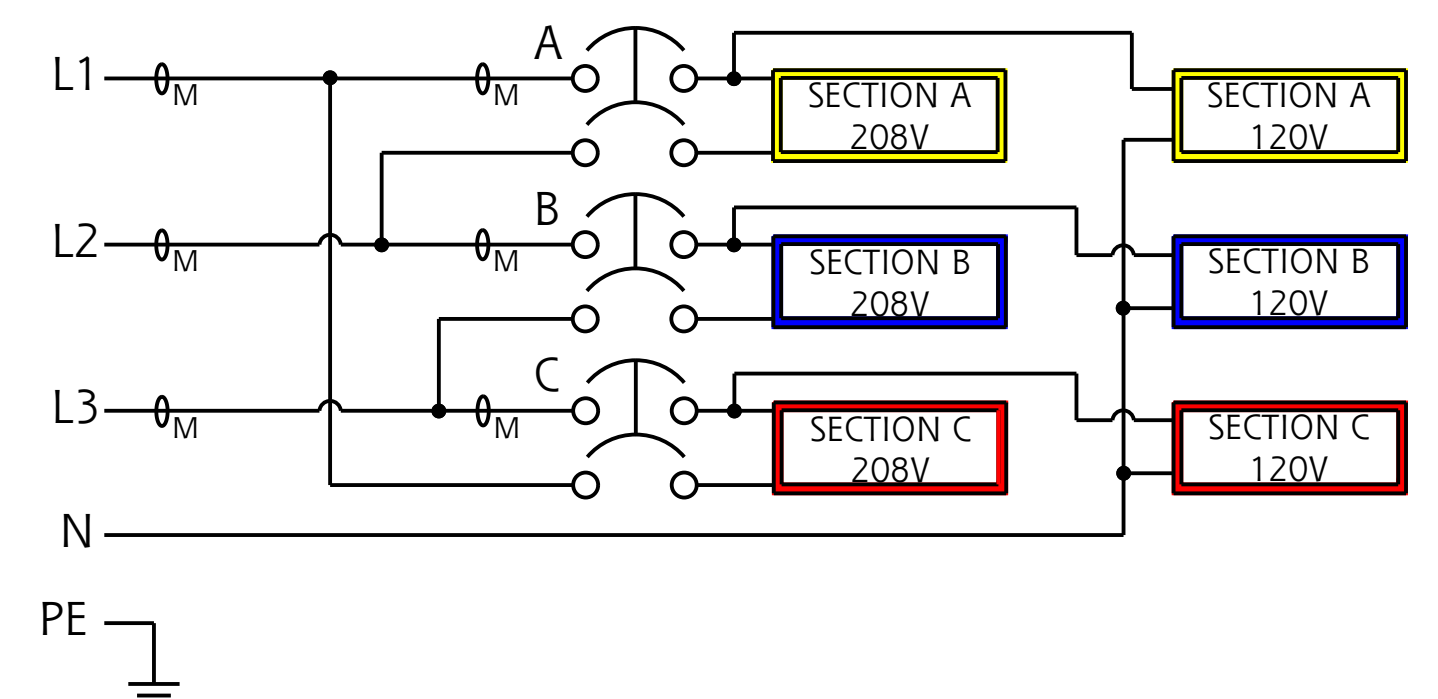


EMI331-10 G3 METERED INPUT

FUNCTIONALITY	INPUT	OUTPUT	ENVIRONMENTAL
CURRENT, POWER, AND ENERGY METERING FOR INPUT AND BRANCH	NEMA L21-30 PLUG 10FT 10AWG / 5C POWERCORD	(24) IEC 60320 C13 GRIP (3) IEC 60320 C19 GRIP (6) NEMA 5-20R	32° TO 140° F 0° TO 60° C
MECHANICAL	INPUT RATING	OUTPUT RATING	CERTIFICATIONS
66.50" (1689mm) LENGTH 2.05" (52mm) WIDTH 2.09" (53mm) DEPTH ALUMINUM CHASSIS, BLACK	120/208V~ WYE 3W+N+PE 24A 50/60HZ	120V~; 16A PER 5-20 200-240V~; 15A PER C13; 16A PER C19 16A MAX PER SECTION 24A MAX PER PHASE	
CIRCUIT BREAKERS	FILTER AND SPIKE/SURGE	ACCESSORIES	CONFIGURATION
(3) 20A 2-POLE LISTED	NONE	INCLUDED SPK012 - INSTALLATION INCLUDED SPK013 - NETWORK OPTIONAL EMP001 - ENVIRONMENTAL PROBE	EMI3PD15JFJ78A1



NOTE:
SECTION POWER AND ENERGY MEASUREMENTS MAY OVER-REPORT 120V LOADS WHEN PRESENT. INPUT MEASUREMENTS SHOULD BE USED FOR POWER AND ENERGY REPORTING.

METRIC	THIRD ANGLE PROJECTION	EATON CORPORATION, ELECTRICAL		SIZE D
DESCRIPTION: EMI331-10 EPDU G3 SPECIFICATION FOR EMI3PD15JFJ78A1				
MODIFIED BY: L. SANDOVAL	DATE: 10 JUN 14	UNLESS OTHERWISE SPECIFIED TOLERANCES ARE: ANGLES: ±1/2° HOLES: ±0.10		SCALE: 0.400 DO NOT SCALE DRAWING OR CHANGE MANUALLY
ECO: 067024	STATE: RELEASED	DIMENSIONS ARE IN MILLIMETERS (INCHES) AND AFTER PLATING		
PRO-ENGINEER GENERATED	PART NAME: EMI3PD15JFJ78A1	REVISION: 001	SHEET: 1 of 1	

EATON CORPORATION - CONFIDENTIAL AND PROPRIETARY NOTICE TO PERSONS RECEIVING THIS DOCUMENT AND/OR TECHNICAL INFORMATION THIS DOCUMENT, INCLUDING THE DRAWING AND INFORMATION CONTAINED THEREON, IS CONFIDENTIAL AND IS THE EXCLUSIVE PROPERTY OF EATON CORPORATION AND IS SUBJECT TO RECALL BY EATON AT ANY TIME. BY TAKING POSSESSION OF THIS DOCUMENT, THE RECIPIENT ACKNOWLEDGES AND AGREES THAT THIS DOCUMENT CANNOT BE USED IN ANY MANNER ADVERSE TO THE INTERESTS OF EATON, AND THAT NO PORTION OF THIS DOCUMENT MAY BE COPIED OR OTHERWISE REPRODUCED WITHOUT THE PRIOR WRITTEN CONSENT OF EATON. IN THE CASE OF CONFLICTING CONTRACTUAL PROVISIONS, THIS NOTICE SHALL GOVERN THE STATUS OF THIS DOCUMENT. © 2008 Eaton Corporation. All Rights Reserved.