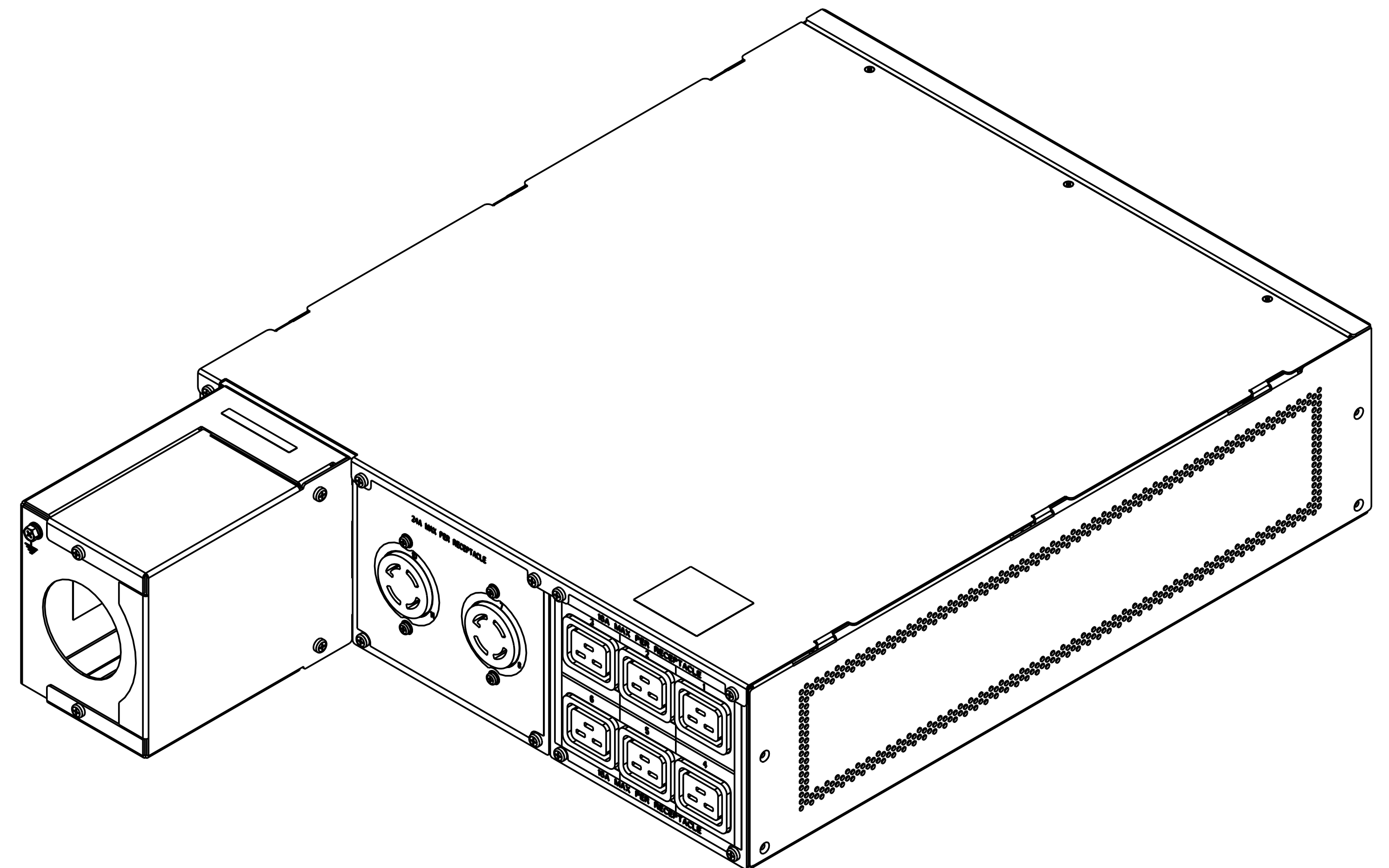


RPM-3U WITH IEC 309 60A LINE CORD

SCALE 0.500



RPM-3U WITH HARDWIRE INPUT

SCALE 0.500

ITEM QTY (BALLOON KEY)

METRIC		THIRD ANGLE PROJECTION	POWERWARE		SIZE: D
DESCRIPTION: ASSY DWG, R2P2					
MODIFIED BY: M. CARNES	DATE: 28-MAY-2007	UNLESS OTHERWISE SPECIFIED TOLERANCES ON DIMENSIONS ARE: ANGLES: ±1/2° DECIMALS: 0.X; ±0.25 X; (FOR X < .31): ±1 HOLES: Ø±0.13 0.XX: ±0.25 X; (FOR X > .31): ±2.5 DIMENSIONS ARE IN MILLIMETERS (INCHES) AND AFTER PLATING		SCALE: 0.167 DO NOT SCALE DRAWING OR CHANGE MANUALLY	
ECO: 000XXXX	STATE: Preliminary	PRO-ENGINEER GENERATED		PART NAME: 110916208	REVISION: 2
THESE DRAWINGS AND SPECIFICATIONS ARE THE PROPERTY OF POWERWARE CORP. AND SHALL NOT BE REPRODUCED OR COPIED OR USED AS THE BASIS FOR MANUFACTURE OR SALE OF APPARATUS WITHOUT PERMISSION					