

# ES sealing hubs and TSC epoxy sealing compound

See pages 124-125 for Chico sealing compound and fiber

Cl. I, Div. 1 & 2, Groups C, D  
Cl. II, Div. 1 & 2, Groups E, F, G  
Explosionproof  
Watertight

5F  
5F

## Applications:

ES sealing hubs are used to:

- Seal vertical conduit risers at switchgear and motor control centers, sheet metal structures or cast boxes and enclosures
- Seal horizontal conduit runs at enclosures when used with TSC sealing compound



## TSC epoxy sealing compound



A two-part epoxy sealing compound may be used to seal ES sealing hubs. It is quick and easy to measure, mix and install. The compound is kneaded until a uniform color is obtained. It is then packed around the conductors to effectively seal the cable.

## Certifications and Compliances:

- Class I, Divisions 1 & 2, Groups C, D
- Class II, Divisions 1 & 2, Groups E, F, G
- UL standard: 1203
- CSA standard: C22.2 No. 30

## Standard material:

- Feraloy iron alloy

## Standard finish:

- Electrogalvanized

## Ordering information:

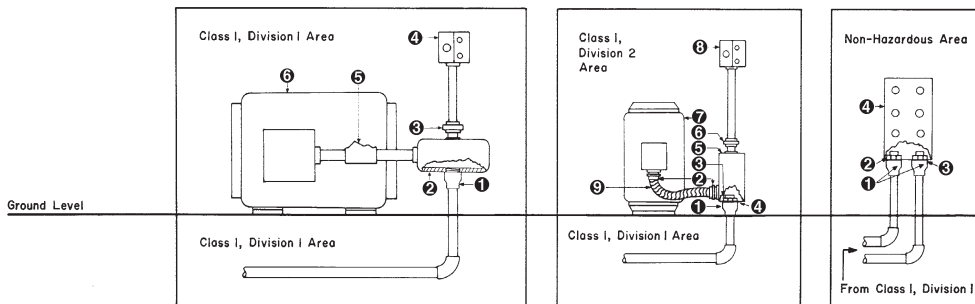
Female hub size	Male hub size	Cat. #	Approximate internal volume in cubic inches
1/2"	1"	ES31	0.65
3/4"	1"	ES32	0.65
1"	1 1/2"	ES53	3.20
1 1/4"	2"	ES64	4.90
1 1/2"	2"	ES65	4.70
2"	2 1/2"	ES76	9.10
3"	4"	ES108	36.00
4"	5"	ES01210	95.00
5"	6"	ES014012	155.00

Note: Order SG sealing gasket and locknut separately.

## Ordering information:

Standard carton qty.	Tube size	Cat. # <sup>(A)</sup>
10	0.5 oz.	TSC05
10	1.0 oz.	TSC1
5	4.0 oz.	TSC4

## Typical installations:

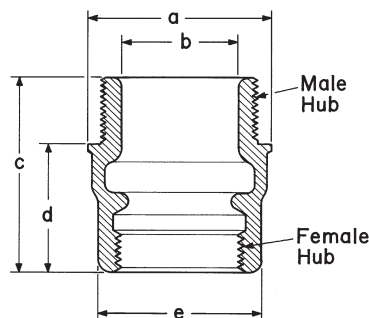


1. ES sealing hub
2. EJB junction box
3. UNY union
4. EDS factory sealed control station
5. EYS horizontal seal
6. Explosionproof motor

1. ES sealing hub
2. LT connector
3. Locknut
4. Sealing gasket
5. Junction box
6. UNY union
7. Synchronous motor
8. EDS factory sealed control station
9. LT conduit

1. ES sealing hub
2. Locknut
3. Sealing gasket
4. Sheet metal structure, motor control center, panelboard, unit sub-station, etc.

## Dimensions (in inches):



Cat. #	a	b	c	d	e
ES31	1 1/16	7/8	2	31/32	1 1/4
ES32	1 13/16	7/8	2	15/16	1 1/2
ES53	2 1/4	1 3/8	3 1/16	1 15/16	1 3/4
ES64	2 3/4	1 3/4	3 3/8	1 15/16	2 1/16
ES65	2 3/4	1 5/8	3 5/32	2	2 1/16
ES76	3 1/2	2 1/16	3 11/16	2	3
ES108	5 1/4	3 3/8	4 13/16	2 31/32	4 1/4
ES01210	6 7/8	4 3/4	6 25/32	4 7/32	5 1/4
ES014012	7 1/4	5 25/32	7 3/8	5 11/32	6 1/2

Sealing hubs are approved for use in hazardous locations when Chico X fiber and Chico A sealing compound are used to make the seal. Sealing hubs are approved for horizontal conduit runs for use in hazardous locations when used with TSC sealing compound – order 1 oz. tube as TSC1.

<sup>(A)</sup> Order quantity of one (1) TSC05 or TSC1 equals ten (10) tubes; one (1) TSC4 equals five (5) 4.0 oz. tubes.