

Barrier fittings for flexible conduit - EF

Technical specification

The Raxton barrier fitting for flexible conduit is designed to provide a flameproof connection for liquid tight and braided flexible conduit in hazardous area applications. This is achieved by forming a barrier between the individual insulated conductors of a cable inside the conduit that are to be terminated within an enclosure.

The barrier is formed by using a setting compound packed around individual insulated conductors. Assembly of the component compresses the packing material and distributes the compound evenly to effect a barrier at point of entry into the enclosure.

The barrier stopper box is supplied with compound in a pack, complete with making off instructions and gloves.



Type EF

Certifications and compliances



Code of protection categories

ATEX /IECEC: II 2 GD, Ex de IIC Gb, Ex e IIC Gb, Ex tb IIIC
EAC: Ex d IIC Gb / Ex e IIC Gb, Ex tb IIIC Db

Compliance standards

ATEX /IECEC: EN/IEC 60079-0, EN/IEC 60079-1, EN/IEC 60079-7, EN/IEC 60079-31
EAC: EN/IEC 60079-31

Certificate details

ATEX: ITS 12ATEX17707X
IECEC: IECEX ITS 12.0079X
EAC: TC RUC-G B.MO62.B.00677/19

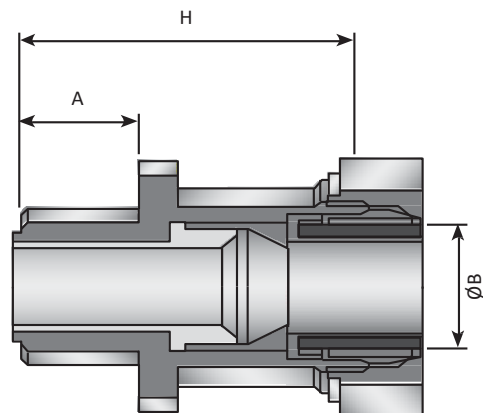
Temperature

-60°C ≤ Ta ≤ 80°C

NB: Type EF barrier fittings available in nickel-plated brass only.

Stopper box size	Thread (A) min. (mm)	ØB nominal (mm)	Length (H) (mm)
M20	150	21.1	44.5
M25	150	26.4	46.0
M32	150	33.1	51.5
M40	150	41.8	52.5
M50	150	47.9	58.5
M63	150	59.7	61.5

Other sizes /threads are available upon request.



Barrier fittings for flexible conduit – Product coding

DIGIT 1+2		CODE
Product	Description	
BARRIER FITTING	M-F HEX	EF

DIGIT 3	CODE
MATERIAL	
NICKEL-PLATED BRASS	A

DIGIT 4+5 (Male thread)						DIGIT 6+7 (Female thread)							
THREAD REFERENCE TABLE													
ISOMETRIC		NPT		BSPT		BSPP		NPSM		PG		ET	
SIZE	CODE	SIZE	CODE	SIZE	CODE	SIZE	CODE	SIZE	CODE	SIZE	CODE	SIZE	CODE
M16	11	½"	42	½"	52	½"	62	½"	72	PG7	20	¾"	31
M20	12	¾"	43	¾"	53	¾"	63	¾"	73	PG9	21	¾"	32
M22	07	1"	44	1"	54	1"	64	1"	74	PG11	22	1"	33
M24	08	1¼"	45	1¼"	55	1¼"	65	1¼"	75	PG13,5	23	1¼"	34
M25	13	1½"	46	1½"	56	1½"	66	1½"	76	PG16	24	1½"	35
M28	09	2"	47	2"	57	2"	67	2"	77	PG21	25	2"	36
M32	14	SPECIAL	40	SPECIAL	50	SPECIAL	60	SPECIAL	70	PG29	26	2½"	37
M38	05									PG36	27		
M40	15									PG42	28		
M50	16									PG48	29		
M63	17												

SPECIAL	10

DIGIT 8 (APPROVAL)	CODE
Exd/Exe	Y
None	F

DIGIT 9 (Undercut)	CODE
Yes	U
None	X

DIGIT 10 (PLATING)	CODE
Nickel	N

NOTE: Male thread is always quoted First (Digit 4+5) followed by the Female thread (Digits 6+7)
 Other threads are available, please consult the sales department
 Digit 8 Approval
 Digit 9: U = Undercut Otherwise X
 Digit 10 (Plating) = N

EXAMPLES							
Product	Material	Male thread	Female thread	Approval	Undercut	Plating	
BARRIER FITTING	NPB	½" NPT	M20	Exd/Exe	None	Nickel	Part Number
EF	A	42	12	Y	X	N	EFA4212YXN
BARRIER FITTING	NPB	M32	1"NPT	Exd/Exe	Yes	Nickel	Part Number
EF	A	14	44	Y	U	N	EFA1444YUN