

Glass filled nylon dome head (Exe) stopping plugs – PD-E4 Series

Technical specification

Redapt PD-E4 series of stopping plugs provide a method of blanking off unused entries in hazardous area approved equipment whilst ensuring the integrity and Ex approval of the installation is maintained.

Manufactured to facilitate easy installation, they are also supplied as standard with a nitrile O-ring seal. The O-ring is located within a recess on the face of the product, helping to protect it from the environmental damage and ensuring it is not displaced during installation.



Type PD-E4

Certifications and compliances



Code of protection categories

ATEX:	II 2 GD
IECEX:	Ex eb IIC Gb, Ex tb IIIC Db
CSA:	Class I, Zone 1; AEx eb IIC Gb IP66/67/68 Class I, Division 2, Groups A, B, C & D; Class II, Groups E, F & G, Class III; Enclosure Type 4X/6P

Compliance standards

ATEX/IECEX:	IEC/EN 60079-0, IEC/EN 60079-7, IEC/EN 60079-31
CSA:	CAN/CSA C22.2 No. 60079-0, No. 60079-7, ANSI/UL 60079-0, 60079-1, 60079-7

Certificate details

ATEX:	ITS16ATEX101335X
IECEX:	IECEX ITS 16.0012X
CSA:	CSA01CA1248014X
EAC:	RU C-GB.MI062.B.06226
INMETRO :	NCC 18.0133X

Ingress protection (IP):

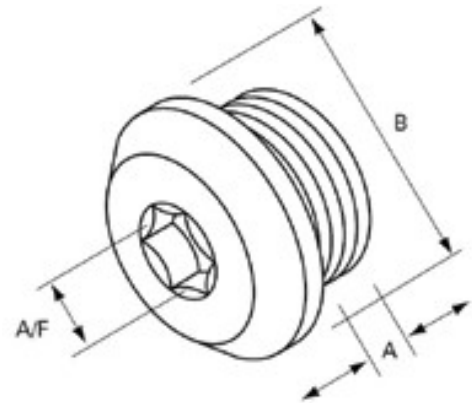
Independently tested to IP66 / IP68 when fitted in accordance to manufacturer's instructions.

Threadforms

Metric
NPT
NPSM
Pg
ISO pipe (BSP)
ET

Dimensions

Size	Thread length (A)	Hex (Allen) key A/F	Diameter (B)
M16	10.00 (min)	10.00	20.50 (min)
M20	10.00 (min)	10.00	24.50 (min)
M25	10.00 (min)	10.00	29.50 (min)
M32	10.00 (min)	10.00	36.50 (min)
M40	10.00 (min)	10.00	44.50 (min)
M50	10.00 (min)	10.00	54.50 (min)
M63	10.00 (min)	14.00	67.50 (min)
M75	10.00 (min)	14.00	79.50 (min)



Temperature

Temperature will depend on the type of O-ring used

None: -30°C to +90°C

Nitrile: -30°C to +80°C

Glass filled nylon dome head (Exe) stopping plugs – Product coding

Product	DIGITS 1 & 2
Dome head PLUG	PD

Certification	DIGIT 3
E	Exe IIC

Material	DIGIT 4
4	Glass filled nylon

Plating	DIGIT 5
0	Unplated

Notes: threadform codes below to be used for both male and female threads.

DIGITS 6 & 7 Male thread ; DIGITS 8 & 9 Female thread							
Metric	ET imperial conduit	NPT	NPSM	ISO pipe parallel (BSPP)	ISO pipe taper (BSPT)	PG	
03 M16	17 5/8" ET	29 1/2" NPT	42 1/2" NPSM	55 1/2" BSPP	68 1/2" BSPT	79 PG7	
04 M20	18 3/4" ET	30 3/4" NPT	43 3/4" NPSM	56 3/4" BSPP	69 3/4" BSPT	80 PG9	
05 M25	19 1" ET	31 1" NPT	44 1" NPSM	57 1" BSPP	70 1" BSPT	81 PG11	
06 M32	20 1 1/4" ET	32 1 1/4" NPT	45 1 1/4" NPSM	58 1 1/4" BSPP	71 1 1/4" BSPT	82 PG13.5	
07 M40	21 1 1/2" ET	33 1 1/2" NPT	46 1 1/2" NPSM	59 1 1/2" BSPP	72 1 1/2" BSPT	83 PG16	
08 M50	22 2" ET	34 2" NPT	47 2" NPSM	60 2" BSPP	73 2" BSPT	84 PG21	
09 M63	23 2 1/2" ET	35 2 1/2" NPT	48 2 1/2" NPSM	61 2 1/2" BSPP	74 2 1/2" BSPT	85 PG29	
10 M75	24 3" ET	36 3" NPT	49 3" NPSM	62 3" BSPP	75 3" BSPT	86 PG36	

Example

Digits 1&2	Digit 3	Digit 4	Digit 5	Digits 6 & 7	Digits 8 & 9
PD	- E	- 4	- 0	- 29	- 04
Plug	Exe certified	Glass filled nylon	Unplated	1/2" NPT (male)	M20 (female)

Always quote male thread first.

Thread dimension chart

ISO metric

BS 3643 1.5mm pitch

Size	Major dia.	TPI
M12	11.97	16.93
M16	15.97	16.93
M20	19.97	16.93
M25	24.97	16.93
M32	31.97	16.93
M40	39.97	16.93
M50	49.97	16.93
M63	62.97	16.93
M75	74.97	16.93
2.0mm pitch		
M80	79.97	12.70
M85	84.97	12.70
M90	89.97	12.70
M100	99.97	12.70
M110	109.97	12.70
M120	119.97	12.70

Alternate ISO pipe thread designations

UK	BSP Parallel or Taper BS2279 (BS21)
Europe	G (Parallel) GK (Taper) R (Parallel) RK (Taper)
Japan	PF (Parallel) JIS B 303
CIS	K mpy (Taper)

NPT

ANSI.ASME B1.20.1

Size	Pipe dia.	TPI
1/2"	21.34	14.00
3/4"	26.67	14.00
1"	33.40	11.50
1 1/4"	42.16	11.50
1 1/2"	48.26	11.50
2"	60.33	11.50
2 1/2"	73.03	8.00
3"	88.90	8.00
3 1/2"	101.60	8.00
4"	114.30	8.00

BSP ISO pipe thread

ISO R/7; UNI 6125

Size	Pipe Dia.	TPI
3/8"	16.66	19.00
1/2"	20.96	14.00
3/4"	26.44	14.00
1"	33.25	11.00
1 1/4"	41.91	11.00
1 1/2"	47.80	11.00
2"	59.61	11.00
2 1/2"	75.18	11.00
3"	87.88	11.00

PG

DIN 40430

Size	Major dia.	TPI
PG7	12.50	20.00
PG9	15.20	18.00
PG11	18.60	18.00
PG13.5	20.40	18.00
PG16	22.50	18.00
PG21	28.30	16.00
PG29	37.00	16.00
PG36	47.00	16.00
PG42	54.00	16.00
PG48	59.30	16.00

ET imperial conduit

BS31

Size	Major dia.	TPI
5/8"	15.88	18.00
3/4"	19.05	16.00
1"	25.40	16.00
1 1/4"	31.75	16.00
1 1/2"	38.10	14.00
2"	50.80	14.00
2 1/2"	63.50	14.00
3"	76.20	14.00

Thread dimension substitution chart

Metric	NPT (or NPS)	PG	BSP ISO Pipe	ET
M16	–	7, 9	–	5/8"
M20	1/2"	11, 13.5	1/2"	3/4"
M25	3/4"	16	3/4"	1"
M32	1"	21	1"	1 1/4"
M40	1 1/4"	29	1 1/4"	1 1/2"
M50	1 1/2"	36	1 1/2"	2"
M63	2"	42, 48	2"	2 1/2"
M75	2 1/2"	–	2 1/2"	3"
M90 x 2.0	3"	–	3"	–
M100 x 2.0	3 1/2"	–	–	–
M110 x 2.0	–	–	–	–
M120 x 2.0	–	–	–	–