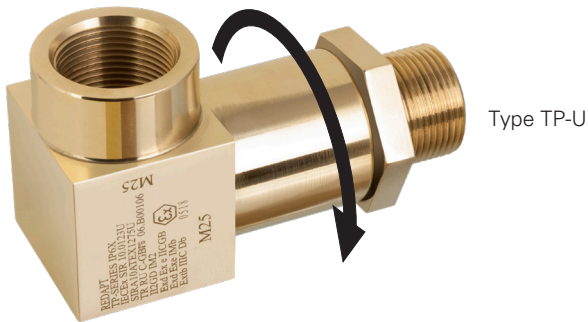


90 degree (Exd/Exe) swivel adaptors - TP-U, TQ-U & TR-U Series



Redapt TP-U, TQ-U & TR-U series of 90 degree explosion-proof swivel adaptors provide a method of matching various electrical thread forms on hazardous area approved equipment.

Available in brass, aluminium and stainless steel 316L, the TP-U series ensure the integrity and the Ex approval of the installation.

These 90 degree models allow a 360° choice of cable entry and exit positions, and improve ease of installation in confined or difficult situations.

Materials

- Brass CZ121
- Mild steel
- 316 stainless steel
- Aluminium

Plating options

- Electroless nickel
- Zinc
- Chromated
- Others on application

Threadforms

- Metric
- NPT
- NPSM
- PG
- ISO Pipe (BSP)
- ET

Dimensions

Male thread (X)	Female thread (Y)	L	W	D
M20	M20	17.00	4.00	17.00
M25	M20 to M25	17.00	4.00	17.00
M32	M20 to M32	17.00	5.00	17.00
M40	M20 to M40	17.00	5.00	17.00
M50	M20 to M50	17.00	5.00	17.00
M63	M20 to M63	17.00	5.00	17.00
M75	M20 to M75	17.00	5.00	17.00

Technical specifications

Code of protection categories

ATEX: I M2, II 2 GD

IECEx: Ex db I/IIC Mb/Gb, Ex eb I/IIC Mb/Gb, Ex tb IIIC Db (Aluminium not mining)

Compliance standards

ATEX: EN 60079-0, EN 60079-1, EN 60079-7, EN 60079-31

IECEx: IEC 60079-0, IEC 60079-1, IEC 60079-7, IEC 60079-31

Certificate details

ATEX: ITS16ATEX101340U

IECEx: IECEx ITS 16.0015U

EAC: RU C-GB.UM43.B.01715

INMETRO: NCC 18.0133 X

Temperature

-50°C to +150°C

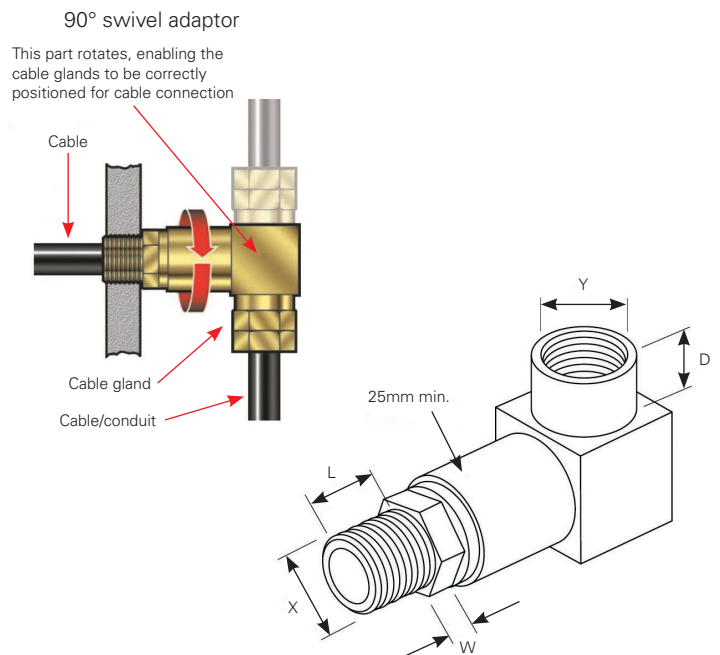
Ingress protection (IP):

IP64 when fitted without sealing washer. IP66/IP68 when fitted with washer or thread sealant according to manufacturer's instructions

Part number:

Please refer to page 10 for part numbering system

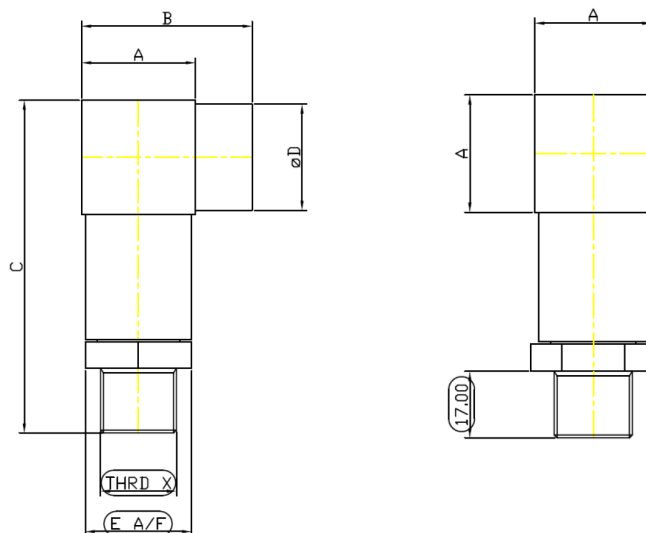
[Download certificates and documents here](#)



90 degree (Exd/Exe) swivel adaptors - Dimensions

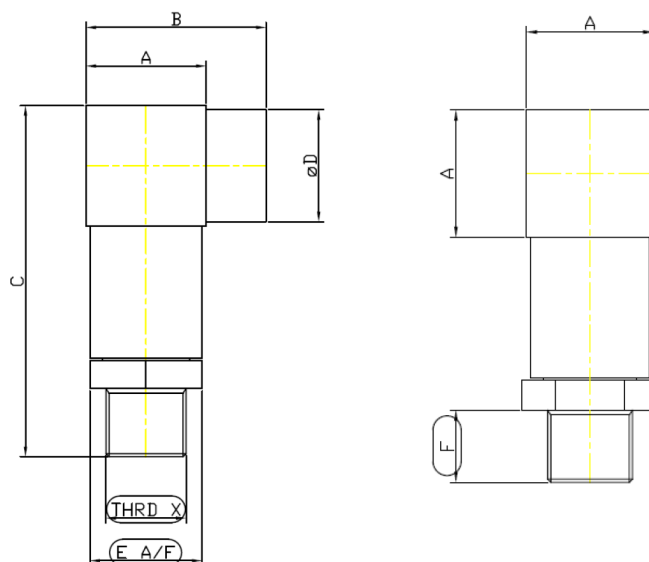
Metric to metric

Thread X	A	B	C	ØD	E A/F
M20 x 1.5	30.0	45.0	88.1	28.0	27.9
M25 x 1.5	35.0	50.0	93.1	34.0	34.9
M32 x 1.5	42.0	57.0	100.1	41.5	42.4
M40 x 1.5	50.0	65.0	109.1	48.5	50.0
M50 x 1.5	60.0	75.0	124.3	58.8	63.5
M63 x 1.5	75.0	90.0	134.3	73.0	76.2
M75 x 1.5	90.0	105.0	151.3	86.0	85.0



NPT to NPT

Thread X	A	B	C	ØD	E A/F	F
1/2" NPT	31.8	45.0	93.4	28.0	1.1"	20.2
3/4" NPT	38.1	50.0	99.0	34.0	1.4"	20.5
1" NPT	42.0	62.0	115.6	41.5	1.7"	25.3
1 1/4" NPT	50.0	70.5	126.0	48.5	2.0"	26.0
1 1/2" NPT	65.0	86.0	142.0	63.0	2.5"	26.5
2" NPT	75.0	97.0	153.4	73.0	3.0"	27.2
2 1/2" NPT	90.0	123.0	199.0	86.0	3.3"	40.5



90 degree (Exd/Exe) swivel adaptors - Product coding

Product	Digits 1 & 2
Swivel 90° male to female Exd/Exe ADAPTOR	TP
Swivel 90° female to female Exd/Exe ADAPTOR	TQ
Swivel 90° male to male Exd/Exe ADAPTOR	TR

Certification	Digit 3
U	Exd I and IIC & Exe I and IIC

Material	Digit 4
1	Brass
2	Mild steel
3	Stainless steel
5	Aluminium

Plating	Digit 5
0	Unplated
1	Electroless nickel
2	Zinc
6	Chromated

Digits 6 & 7, Male thread – Digits 8 & 9, Female thread

Metric	ET imperial conduit	NPT	NPSM	ISO pipe parallel (BSPP)	ISO pipe taper (BSPT)	PG
03 M16	17 5/8" ET	TBA 3/8" NPT	TBA 3/8" NPSM	TBA 3/8" BSPP	TBA 3/8" BSPT	80 PG9
04 M20	18 3/4" ET	29 1/2" NPT	42 1/2" NPSM	55 1/2" BSPP	68 1/2" BSPT	81 PG11
05 M25	19 1" ET	30 3/4" NPT	43 3/4" NPSM	56 3/4" BSPP	69 3/4" BSPT	82 PG13.5
06 M32	20 1 1/4" ET	31 1" NPT	44 1" NPSM	57 1" BSPP	70 1" BSPT	83 PG16
07 M40	21 1 1/2" ET	32 1 1/4" NPT	45 1 1/4" NPSM	58 1 1/4" BSPP	71 1 1/4" BSPT	84 PG21
08 M50	22 2" ET	33 1 1/2" NPT	46 1 1/2" NPSM	59 1 1/2" BSPP	72 1 1/2" BSPT	85 PG29
09 M63	23 2 1/2" ET	34 2" NPT	47 2" NPSM	60 2" BSPP	73 2" BSPT	86 PG36
10 M75	24 3" ET	35 2 1/2" NPT	48 2 1/2" NPSM	61 2 1/2" BSPP	74 2 1/2" BSPT	87 PG42
		36 3" NPT				88 PG48

Example

Digits 1 & 2	Digit 3	Digit 4	Digit 5	Digits 6 & 7	Digits 8 & 9
TP	- U	- 2	- 2	- 29	- 04
Adaptor	Exd/e certified	Mild steel	Zinc	1/2" NPT (male)	M20 (female)

Notes:

- Always quote male thread first.
- Threadform codes below to be used for both male and female threads.

Thread dimension chart

ISO metric

BS 3643 1.5mm pitch

Size	Major dia.	TPI
M12	11.97	16.93
M16	15.97	16.93
M20	19.97	16.93
M25	24.97	16.93
M32	31.97	16.93
M40	39.97	16.93
M50	49.97	16.93
M63	62.97	16.93
M75	74.97	16.93

NPT

ANSI/ASME B1.20.1

Size	Pipe dia.	TPI
3/8"	17.15	18.00
1/2"	21.34	14.00
3/4"	26.67	14.00
1"	33.40	11.50
1 1/4"	42.16	11.50
1 1/2"	48.26	11.50
2"	60.33	11.50
2 1/2"	73.03	8.00

PG

DIN 40430

Size	Major dia.	TPI
PG9	15.20	18.00
PG11	18.60	18.00
PG13.5	20.40	18.00
PG16	22.50	18.00
PG21	28.30	16.00
PG29	37.00	16.00
PG36	47.00	16.00
PG42	54.00	16.00
PG48	59.30	16.00

Alternate ISO pipe thread designations

UK	BSP Parallel or Taper BS2279 (BS21)
Europe	G (Parallel) GK (Taper) R (Parallel) RK (Taper)
Japan	PF (Parallel) JIS B 303
CIS	K mpy (Taper)

BSP ISO pipe thread

ISO R/7; UNI 6125

Size	Pipe Dia.	TPI
3/8"	16.66	19.00
1/2"	20.96	14.00
3/4"	26.44	14.00
1"	33.25	11.00
1 1/4"	41.91	11.00
1 1/2"	47.80	11.00
2"	59.61	11.00
2 1/2"	75.18	11.00

ET imperial conduit

BS31

Size	Major dia.	TPI
5/8"	15.88	18.00
3/4"	19.05	16.00
1"	25.40	16.00
1 1/4"	31.75	16.00
1 1/2"	38.10	14.00
2"	50.80	14.00
2 1/2"	63.50	14.00
3"	76.20	14.00

Thread dimension substitution chart

Metric	NPT (or NPS)	PG	BSP ISO Pipe	ET
M16	3/8"	9	3/8"	5/8"
M20	1/2"	11, 13.5	1/2"	3/4"
M25	3/4"	16	3/4"	1"
M32	1"	21	1"	1 1/4"
M40	1 1/4"	29	1 1/4"	1 1/2"
M50	1 1/2"	36	1 1/2"	2"
M63	2"	42, 48	2"	2 1/2"
M75	2 1/2"	-	2 1/2"	3"