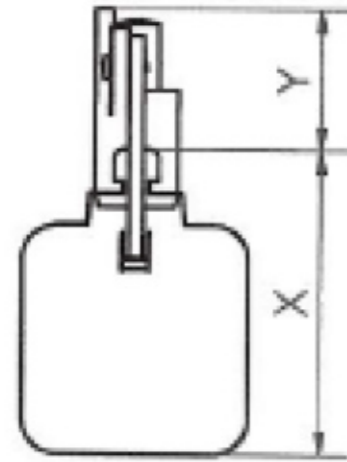


REVISION

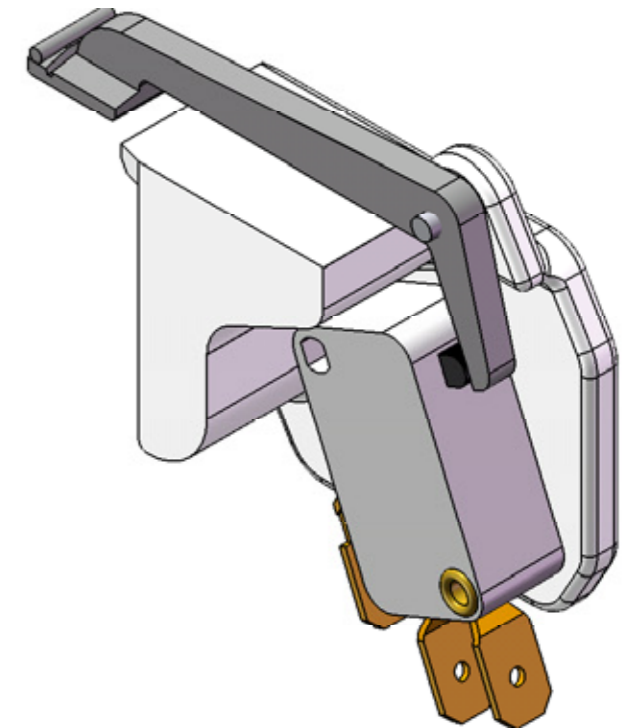
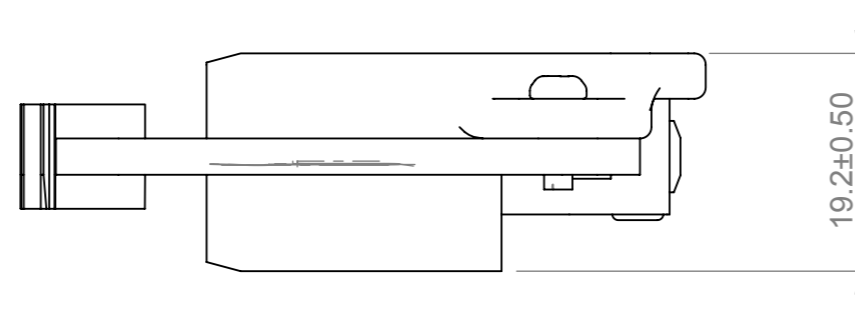
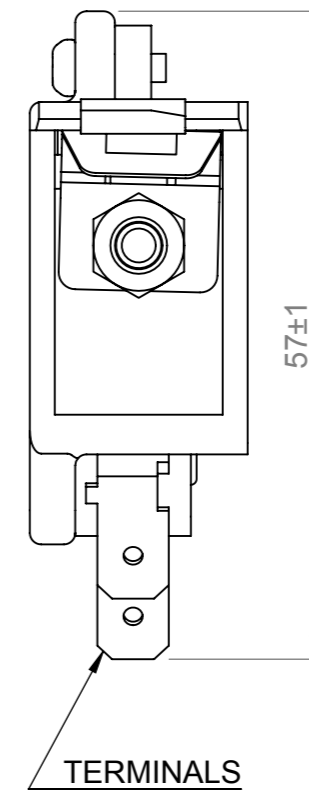
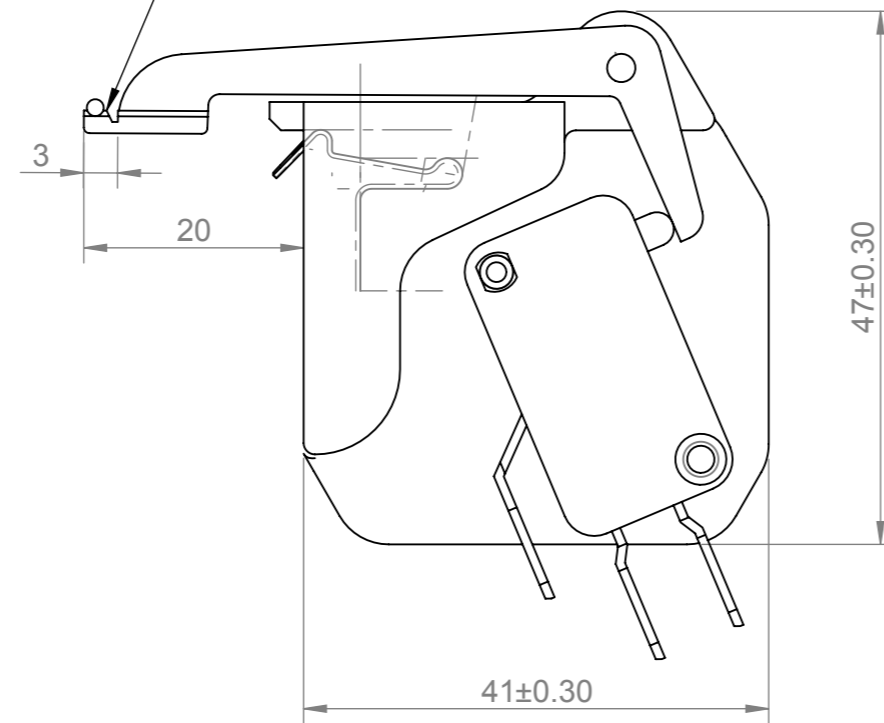
REV	DESCRIPTION	BY	DATE	CHANGE NO.
A	REDRAWN IN SOLIDWORKS ; FIRST ISSUE	JVM	28/01/2011	I-2387




NOTE:

When mounted on fuse tag the dimension X is increased by Y = 33mm

CUT OFF WHEN NECESSARY TO PROVIDE CORRECT CLEARANCE



POS	ITEM NO.	TERMINALS
1	170H0235	6.3 x 0.8
2	170H0237	2.8 x 0.5
3	170H3022	6.3 x 0.8

MODEL VERSION: 00	MATERIAL:	UNLESS OTHERWISE SPECIFIED, ALL DIMENSIONS ARE IN MILLIMETERS. TOLERANCES UNLESS OTHERWISE SPECIFIED: GENERAL ± 0.4mm ANGULAR ± 1°	 COOPER Bussmann (UK) Ltd Burton-on-the-Wolds, Leics, LE12 5TH Tel +44 1509 882 600 Fax +44 1509 882786			
	VARIOUS		UNCONTROLLED COPY	TITLE: Clip-On Type Microswitches for Fuse Sizes 00-3, Bent Tags 170H0235, 170H0237, 170H3022		
MODEL SOURCE FILE: 170X0530	FINISH:	THIS DRAWING IS CONFIDENTIAL AND THE COPYRIGHT OF COOPER BUSSMANN AND MUST NOT BE COPIED OR PASSED ON TO A THIRD PARTY WITHOUT WRITTEN CONSENT	DWG NO: 170X0530			
	NONE		ANGLE: FIRST	REV: A		
	SURFACE AREA: VARIOUSmm ²		DRAWN BY: JVM	CHECKED BY: JP	DATE: 28/01/2011	SCALE: NTS
	VOLUME:		SIZE: A3	SHEET: 1 OF 1		
MASS:						