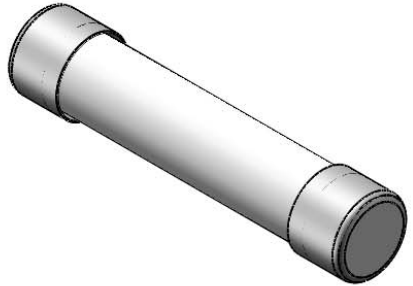
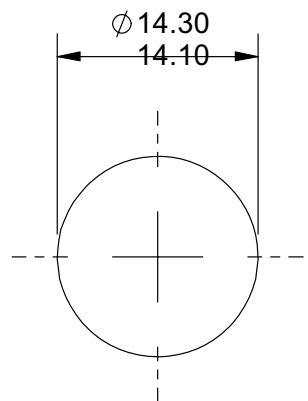
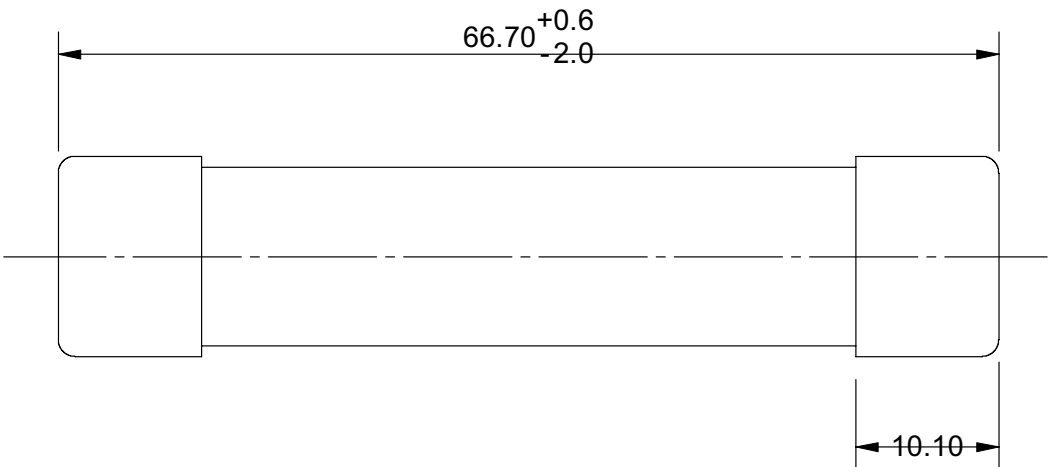



REVISION				
REV	DESCRIPTION	BY	DATE	CHANGE NO.
B	Overall length changed to 66.7 +0.6/-2	NS	28/06/11	16390



MODEL VERSION: 01	MATERIAL: VARIOUS	UNLESS OTHERWISE SPECIFIED, ALL DIMENSIONS PP ARE IN MILLIMETERS. TOLERANCES UNLESS OTHERWISE SPECIFIED: GENERAL ± 0.4 mm ANGULAR $\pm 1^\circ$	 COOPER Bussmann <small>COOPER-BUSSMANN, LLC, 12 5TH Tel +44 1509 882 600 Fax +44 1509 882786</small>				
	FINISH: NONE		UNCONTROLLED COPY	TITLE: PV-(amp)A14LF			
MODEL SOURCE FILE: 5795307	SURFACE AREA: VARIOUSmm²	THIS DRAWING IS CONFIDENTIAL AND THE COPYRIGHT OF COOPER BUSSMANN AND MUST NOT BE COPIED OR PASSED ON TO A THIRD PARTY WITHOUT WRITTEN CONSENT	DWG NO: 5795307		ANGLE: THIRD	REV: B	
	VOLUME: _____		DRAWN BY: VBH	CHECKED BY: NN	DATE: 11/03/2011	SCALE: NTS	SIZE: SHEET: A4 1 OF 1
	MASS: _____						

Drawing template A4 : Rev 4