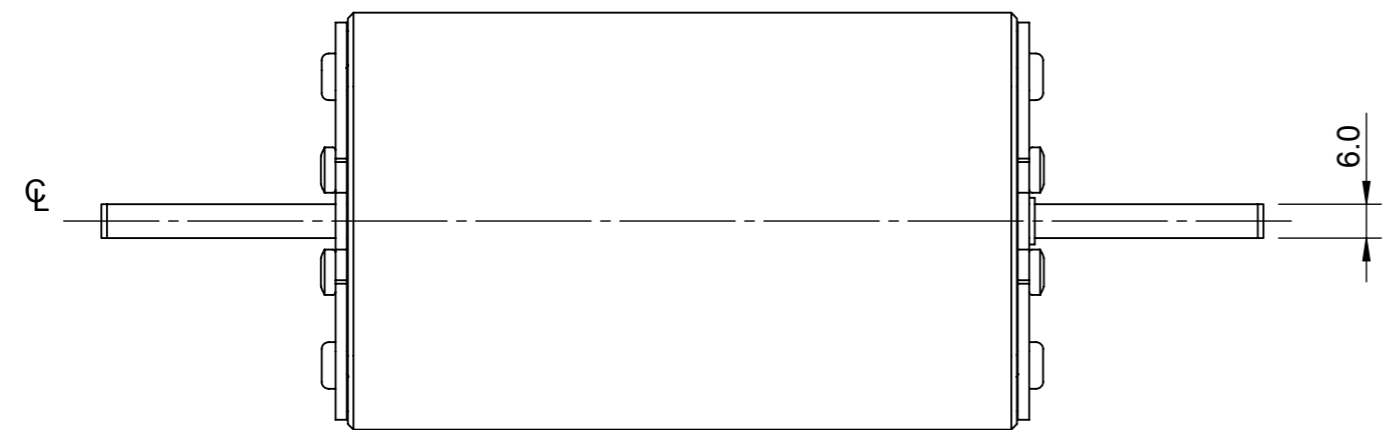
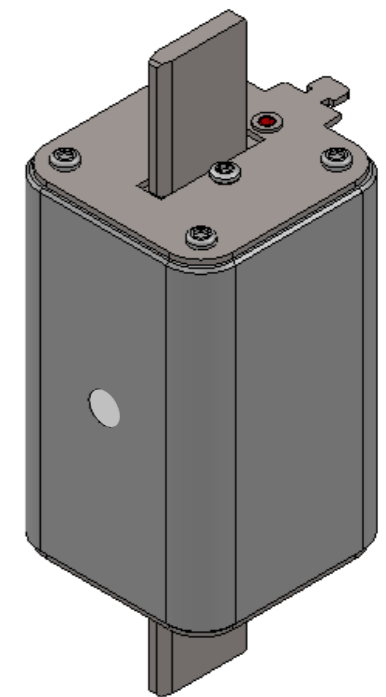
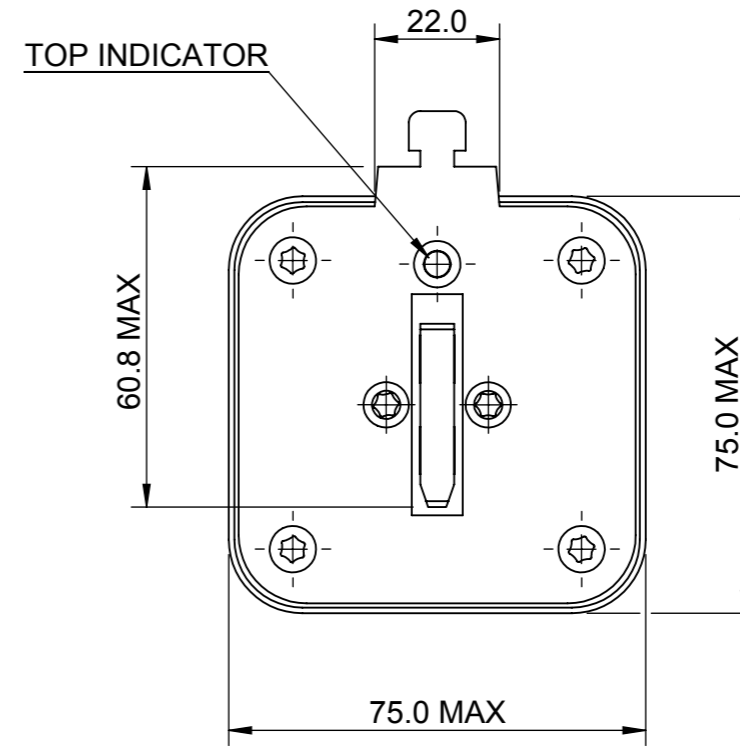
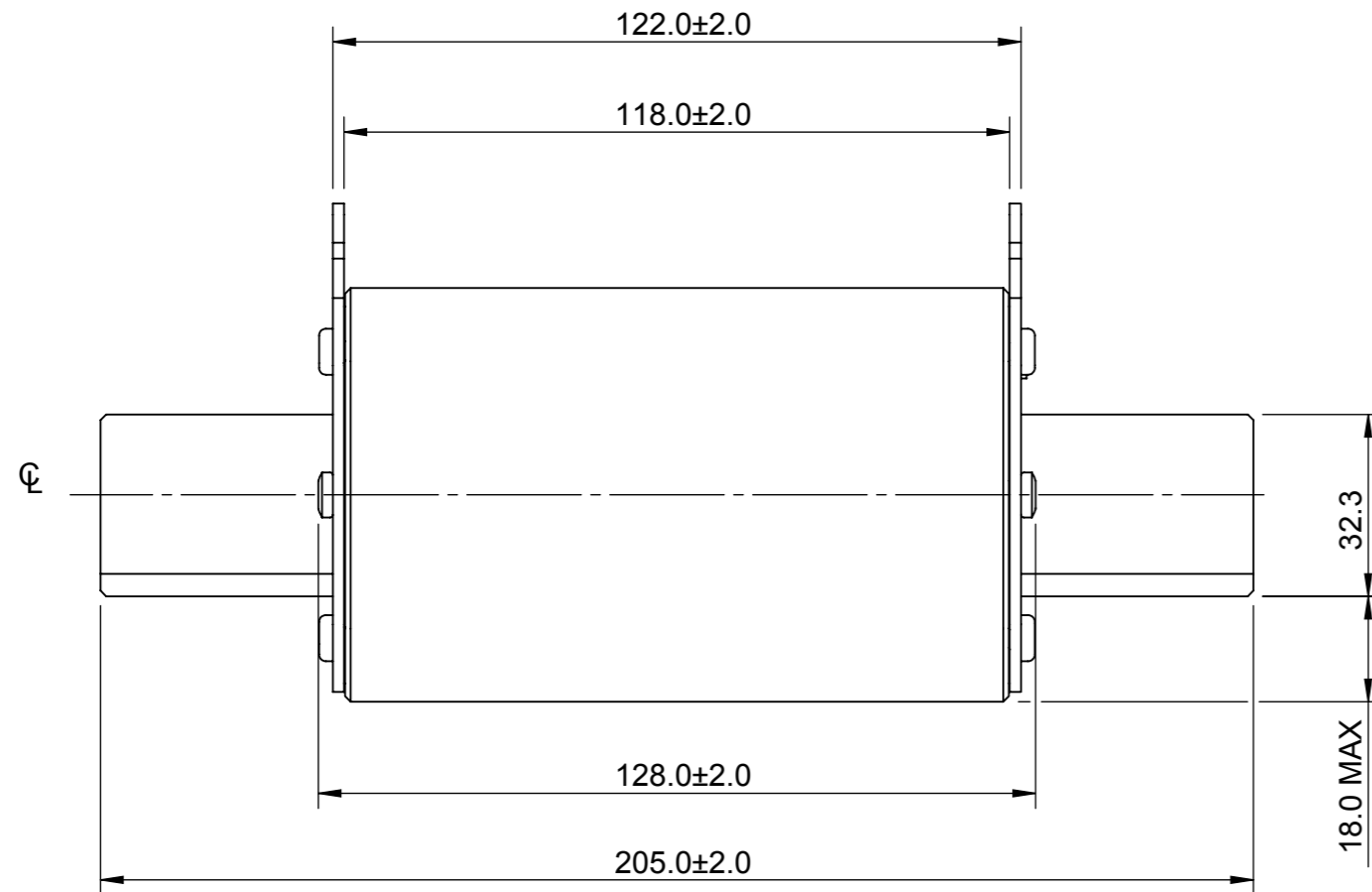



REVISION

REV	DESCRIPTION	BY	DATE	CHANGE NO.
F	LATEST STANDARDS UPDATED IN HSF OUTLINE DRAWINGS	SR	06/09/2012	I3025



MODEL VERSION: 02	MATERIAL:	UNLESS OTHERWISE SPECIFIED, ALL DIMENSIONS ARE IN MILLIMETERS. TOLERANCES UNLESS OTHERWISE SPECIFIED: GENERAL ± 0.2mm ANGULAR ± 1°	 COOPER Bussmann (UK) Ltd Burton-on-the-Wolds, Leics, LE12 5TH Tel +44 1509 882 600 Fax +44 1509 882786											
	FINISH:		UNCONTROLLED COPY	TITLE: PV-(amp)A3L-15										
	SURFACE AREA:		THIS DRAWING IS CONFIDENTIAL AND THE COPYRIGHT OF COOPER BUSSMANN AND MUST NOT BE COPIED OR PASSED ON TO A THIRD PARTY WITHOUT WRITTEN CONSENT	DWG NO:	1000001421	ANGLE:	FIRST	REV:	F					
	VOLUME:			VARIOUSmm ²	DRAWN BY:	GT	CHECKED BY:	NN	DATE:	14/12/2010	SCALE:	NTS	SIZE:	A3
1000001421	MASS:													