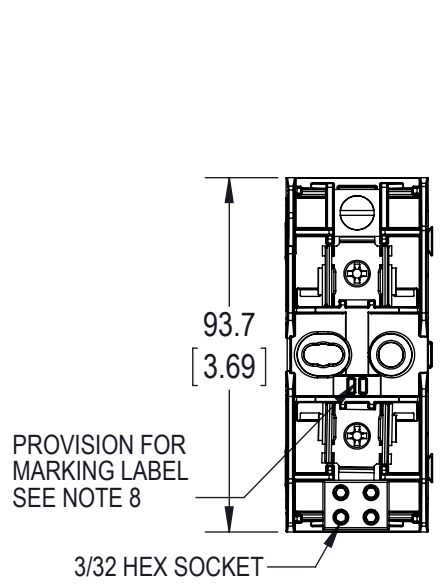
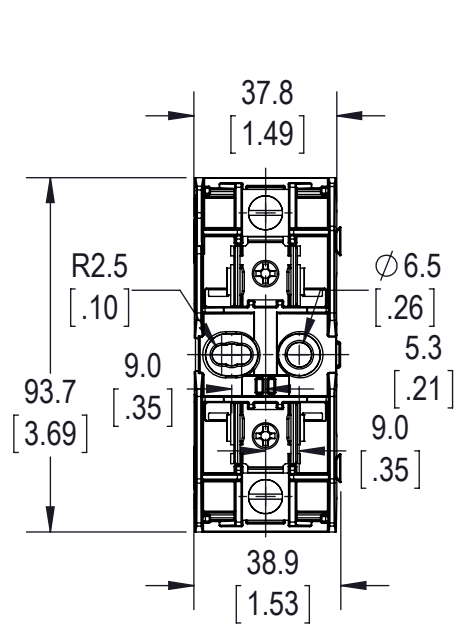


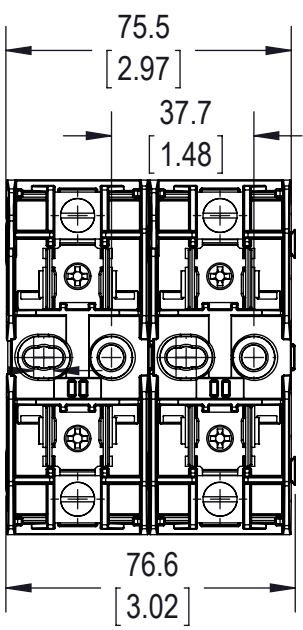
CATALOG NO.	TERMINAL TYPE	IP20 FINGER SAFE COVERS		NO. OF POLES
		W/O INDICATION	INDICATION	
JM70100-1CR	BOX LUG 1 PORT	CVR-J-60060	CVRI-J-60060	1
JM70100-2CR	BOX LUG 1 PORT			2
JM70100-3CR	BOX LUG 1 PORT			3
JM70100-1MW14	BOX LUG - 1 TO 4 PORT			1
JM70100-2MW14	BOX LUG - 1 TO 4 PORT			2
JM70100-3MW14	BOX LUG - 1 TO 4 PORT			3



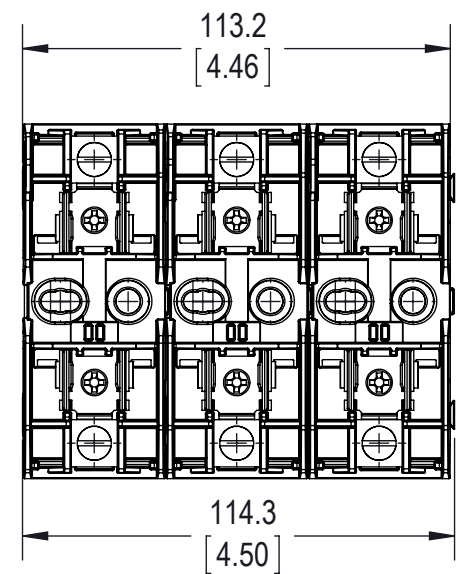
JM70100-1MW14



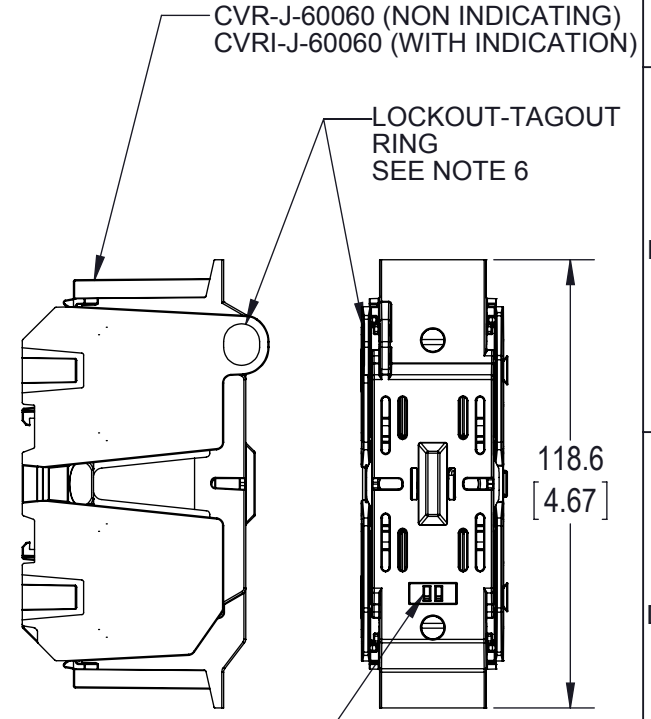
1-POLE  
JM70100-1CR SHOWN



2-POLE  
JM70100-2CR SHOWN

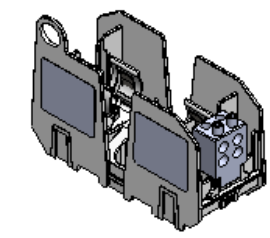


3-POLE  
JM70100-3CR SHOWN

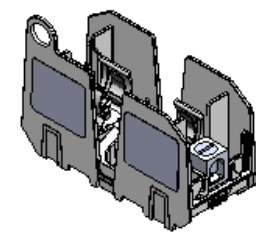


JM70100-1CR  
SHOWN WITH COVER

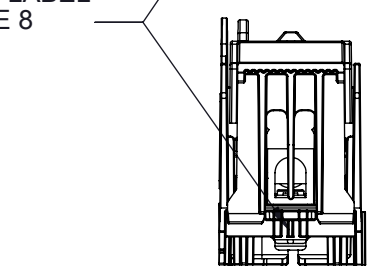
- NOTES:
- VOLTAGE RATING: 700V
  - AMPERAGE: 100A
  - WITHSTAND RATING: 200kA
  - WIRE: CU/AL 75/90C
  - 1 PORT WIRE RANGE:
    - (1) 2 - 14 AWG CU
    - 2-3: 50 lb-in (5.6 Nm)
    - 4-6, 45 lb-in (5.1 Nm)
    - 8, 40 lb-in (4.5 Nm)
    - 10-14, 35 lb-in (4.0 Nm)
    - (1) 2 - 8 AWG AL
    - 2-3: 50 lb-in (5.6 Nm)
    - 4-6, 45 lb-in (5.1 Nm)
    - 8, 40 lb-in (4.5 Nm)
  - 4 PORT WIRE RANGE:
    - (1) 8-14 AWG CU
    - 8 AWG 3.4 Nm (30 in-lb)
    - 14-10 2.8 Nm (25 in-lb)
    - (2) 12-14 AWG CU
    - 12-14 3.4 Nm (30 in-lb)
    - (1) 8-10 AWG AL
    - 8 Str/10 Sol: 3.4 Nm (30 in-lb)
  - USE 4MM DIA. CABLE LOCK OR 1/4 INCH DIA. HASP PADLOCK.
  - RECOMMEND USING DIN-RAIL END STOPS FOR DIN RAIL MOUNTED APPLICATIONS  
BUSSMANN PART NUMBERS BRKT-ND OR BRKT-NDSCREW2
  - USE BUSMANN MAKER LABEL TM26CB
  - ALL DIMENSIONS ARE TYPICAL UNLESS OTHERWISE INDICATED



3D VIEW FOR  
JM70100-1MW14  
SCALE NONE

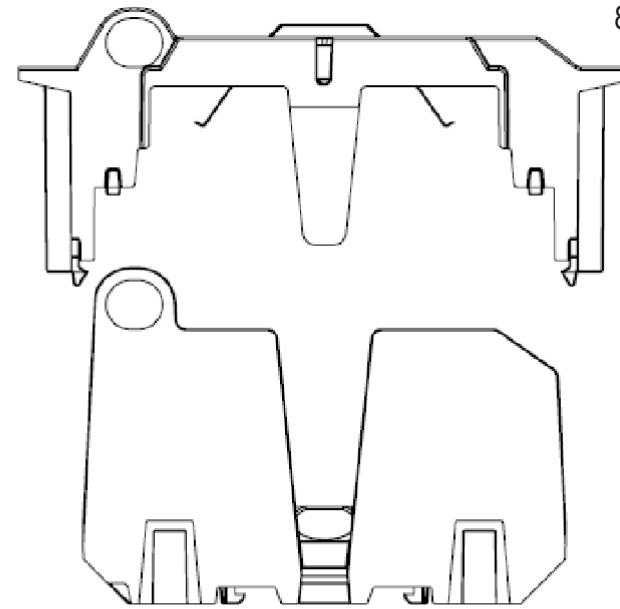
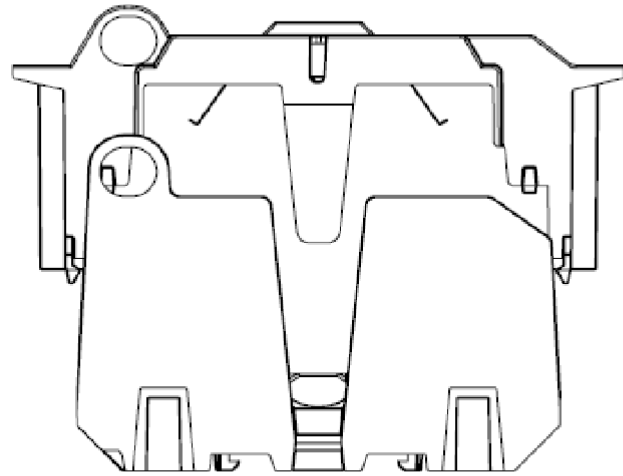


3D VIEW FOR  
JM70100-1CR  
SCALE NONE

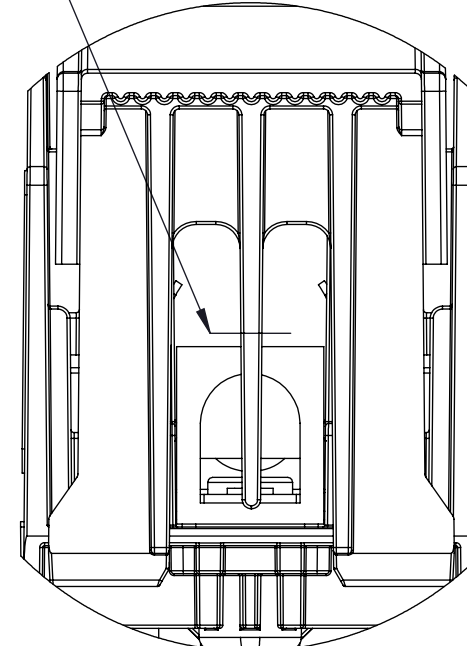


3D VIEW FOR JM70100-1xR  
WITH COVER  
SCALE NONE

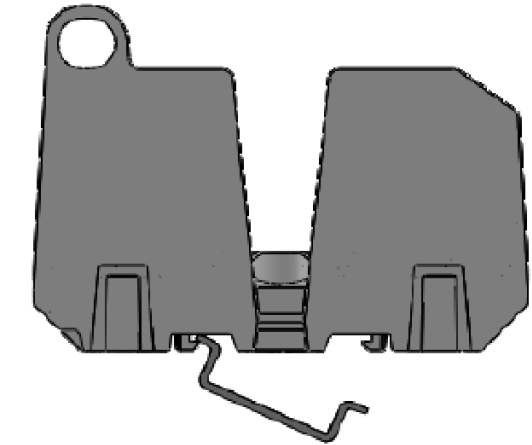
<b>EATON CORPORATION - CONFIDENTIAL AND PROPRIETARY</b> NOTICE TO PERSONS RECEIVING THIS DOCUMENT AND/OR TECHNICAL INFORMATION <small>THIS DOCUMENT, INCLUDING THE DRAWING AND INFORMATION CONTAINED THEREON, IS CONFIDENTIAL AND IS THE EXCLUSIVE PROPERTY OF EATON CORPORATION AND IS LOANED TO YOU BY EATON CORPORATION. IT IS NOT TO BE REPRODUCED, COPIED, OR IN ANY MANNER DISCLOSED TO ANY OTHER PERSON OR ENTITY WITHOUT THE PRIOR WRITTEN CONSENT OF EATON CORPORATION. THIS NOTICE SHALL GOVERN THE STATUS OF THIS DOCUMENT.</small> © 2012 Eaton Corporation, All Rights Reserved.	THIS DRAWING IS AN UNCONTROLLED COPY IF PRINTED OR SENT ELECTRONICALLY. DO NOT SCALE DRAWING. <b>GENERAL DRAWING PRACTICES IN ACCORDANCE WITH ASME - Y14.100-2004 DIMENSIONS AND TOLERANCES IN ACCORDANCE WITH ASME - Y14.5M-1994</b> UNLESS OTHERWISE SPECIFIED DIMENSIONS ARE IN MILLIMETERS	
	UNLESS OTHERWISE SPECIFIED TOLERANCES TO BE MILLIMETERS ±.13 mm ANGULAR ± 1°	
<b>CUSTOMER PRINT</b> THIRD ANGLE PROJECTION	<b>SCALE:</b> 1:2	<b>SIZE</b> A3 <b>DWG NO.</b> JM70100-SERIES-CP <b>REV</b> B <b>SHEET</b> 1 OF 2



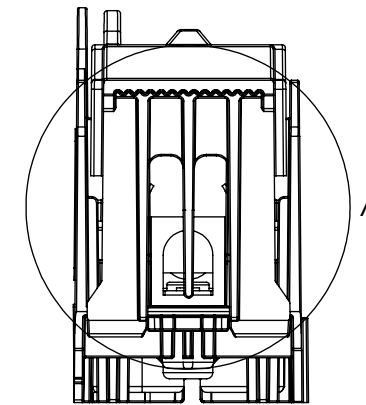
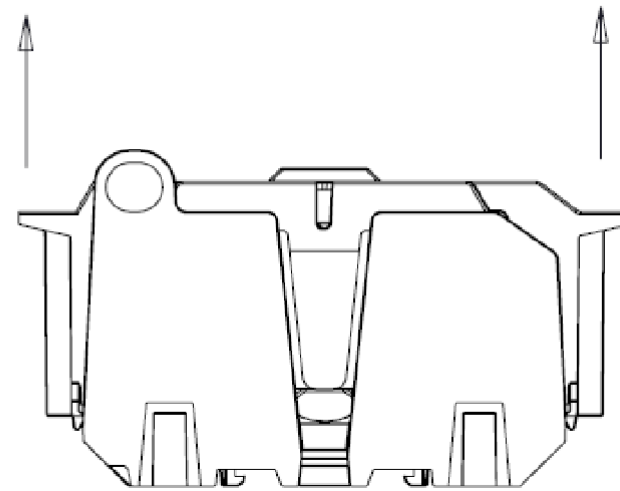
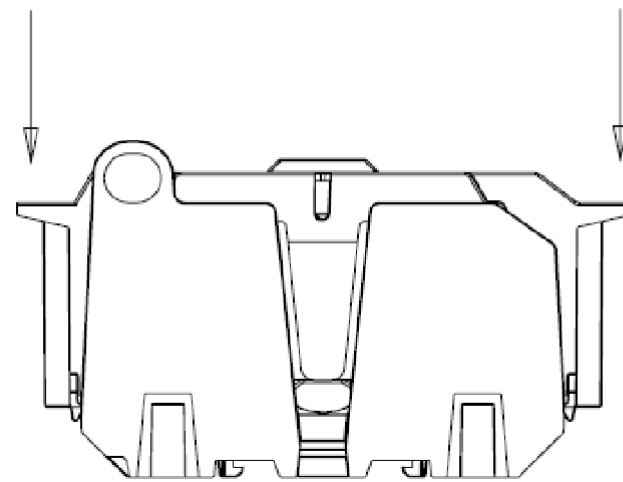
CUT COVER TAB  
AT NOTCH FOR  
USE WITH WIRES  
LARGER THAN  
8 AWG



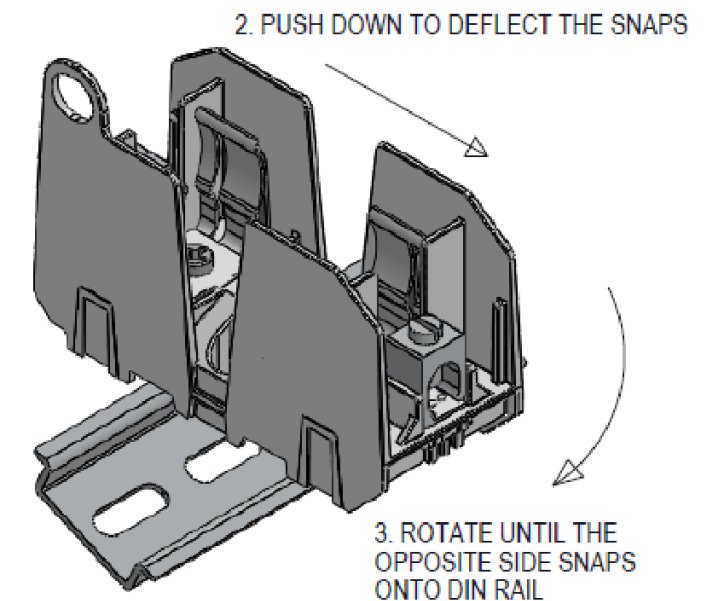
DETAIL A  
SCALE 8 : 5



1. HOOK DIN RAIL SNAPS ON ONE SIDE OF THE DIN RAIL



A



2. PUSH DOWN TO DEFLECT THE SNAPS

3. ROTATE UNTIL THE  
OPPOSITE SIDE SNAPS  
ONTO DIN RAIL

**CLOSING**  
PUSH STRAIGHT DOWN UNTIL SNAPS CLICK  
INTO PLACE

**OPENING**  
PULL STRAIGHT UP AT BOTH OUTSIDE  
HANDLES

**INSTALLATION ON DIN RAIL**  
END STOPS MAY BE NECESSARY FOR SOME  
ASSEMBLY CONDITIONS - SEE NOTE 7

**EATON** BUSSMANN  
SERIES

TITLE  
700V / 100AMP 22X58 FUSE BLOCK

SIZE DWG NO. REV  
**A3** **JM70100-SERIES-CP** **B**

SCALE: 4:5 SHEET 2 OF 2

SLA3\_BUSSAME\_CERBL\_REV\_A