

# LG PV circuit breaker

**⚠ WARNING**

**DO NOT ATTEMPT TO INSTALL OR PERFORM MAINTENANCE ON EQUIPMENT WHILE IT IS ENERGIZED. DEATH OR SEVERE PERSONAL INJURY CAN RESULT FROM CONTACT WITH ENERGIZED EQUIPMENT. ALWAYS VERIFY THAT NO VOLTAGE IS PRESENT BEFORE PROCEEDING.**

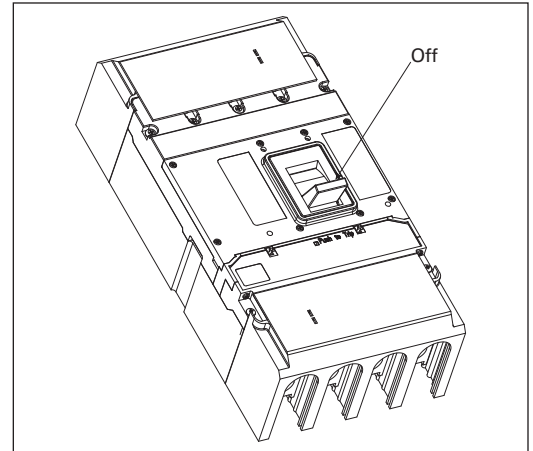


Figure 1. LG PV Circuit Breaker

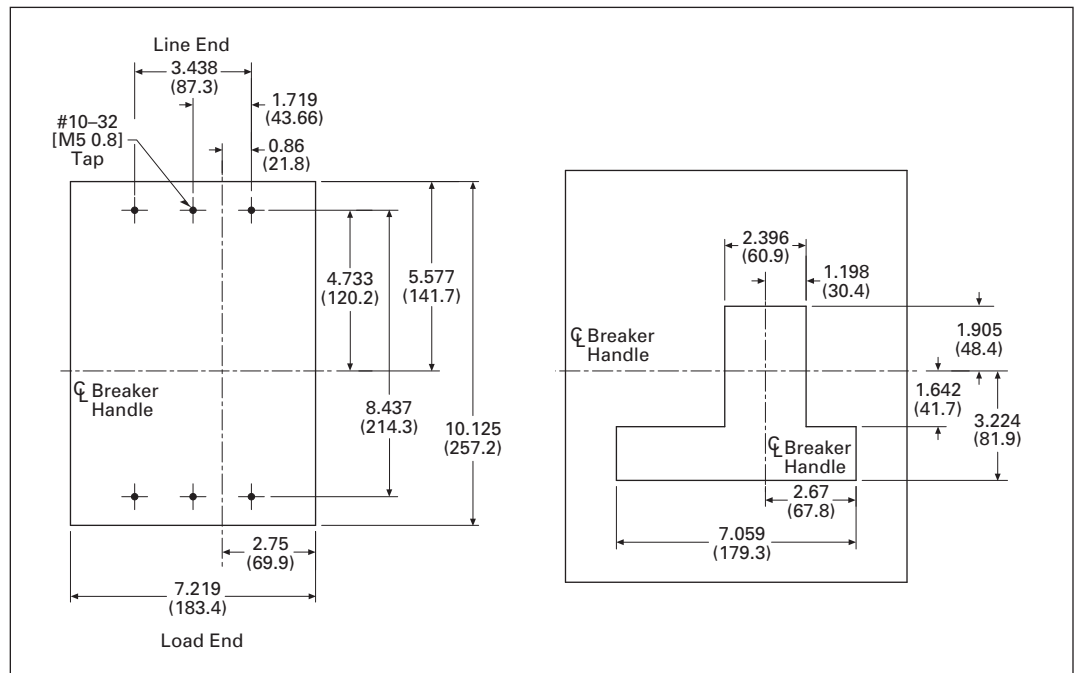


Figure 2. LG PV Circuit Breaker Dimensions



Powering Business Worldwide

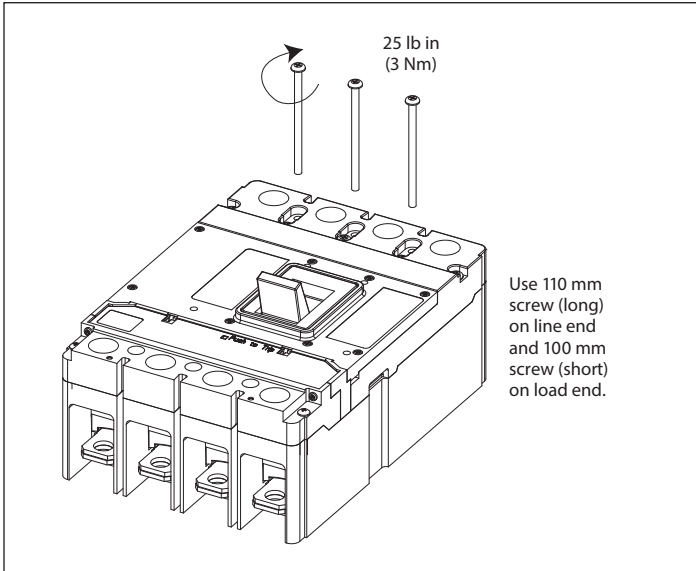


Figure 3. Mounting

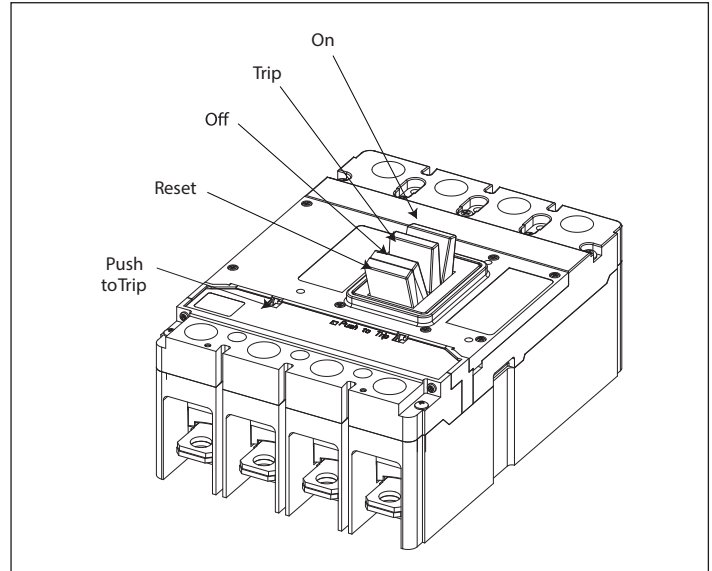


Figure 5. Operation

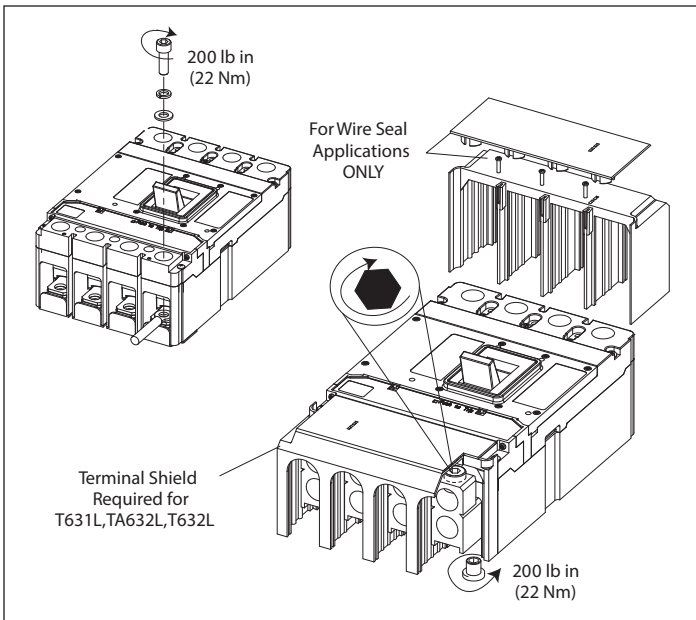


Figure 4. Connections

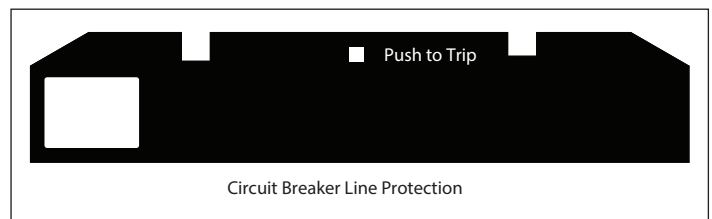


Figure 6. Trip Unit

Wire Type	Terminal Body Material	Wire Size Range		Torque		Catalog Number
		AWG	mm <sup>2</sup>	lb in	Nm	
CU/AL	Aluminum	2-500 (2)	35-240 (2)	375	42	TA632L
CU	Copper	2-500 (2)	35-240 (2)	375	42	T632L
CU	Copper	2-500 (1)	35-240 (1)	375	42	T350L

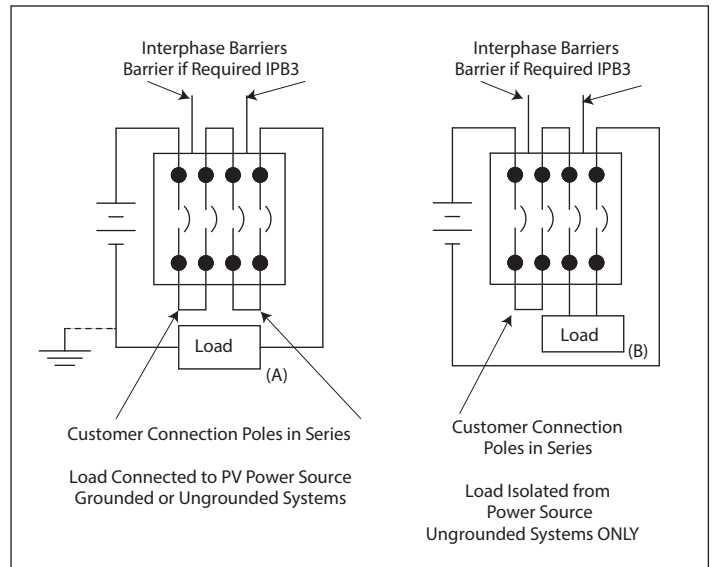


Figure 7. Four-Pole in Series

Eaton  
1000 Eaton Boulevard  
Cleveland, OH 44122  
United States  
Eaton.com

© 2013 Eaton  
All Rights Reserved  
Printed in USA  
Publication No. IL01207019E H02/ Z13985  
August 2013