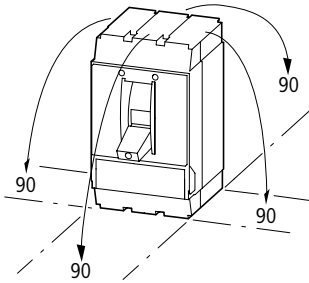


PM...2-...-FG  
PSD2-...-FG

**Lebensgefahr durch elektrischen Strom!**  
Nur Elektrofachkräfte und elektrotechnisch unterwiesene Personen dürfen die im Folgenden beschriebenen Arbeiten ausführen.

**Electric current! Danger to life!**

Only skilled or instructed persons may carry out the following operations.

**Tension électrique dangereuse !**

Seules les personnes qualifiées et averties doivent exécuter les travaux ci-après.

**Tensione elettrica: Pericolo di morte!**

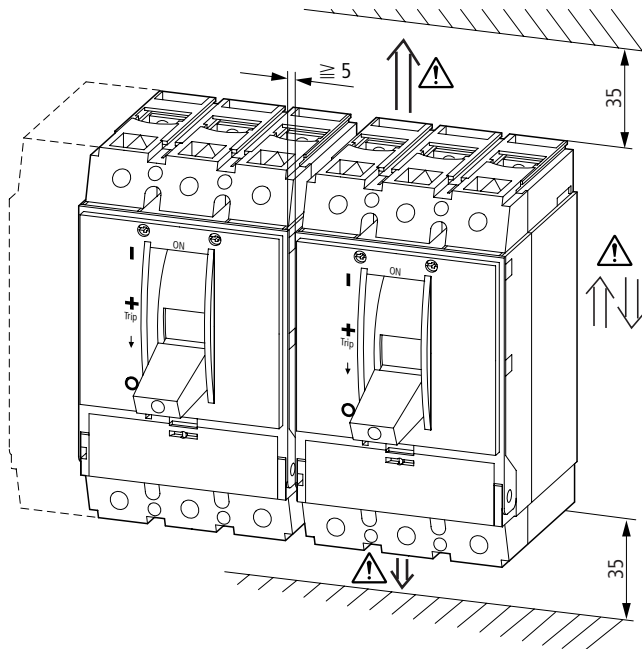
Solo persone abilitate e qualificate possono eseguire le operazioni di seguito riportate.

**¡Corriente eléctrica! ¡Peligro de muerte!**

El trabajo a continuación descrito debe ser realizado por personas cualificadas y advertidas.

**Электрический ток! Опасно для жизни!**

Только специалисты или проинструктированные лица могут выполнять следующие операции.



Ausblasrichtung  
im Kurzschlussfall

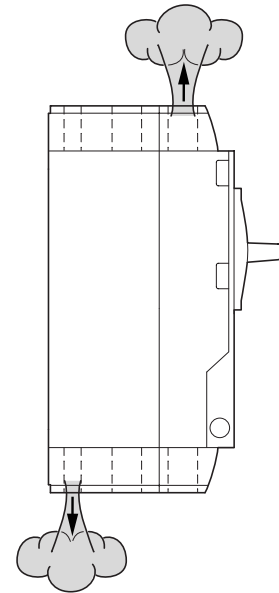
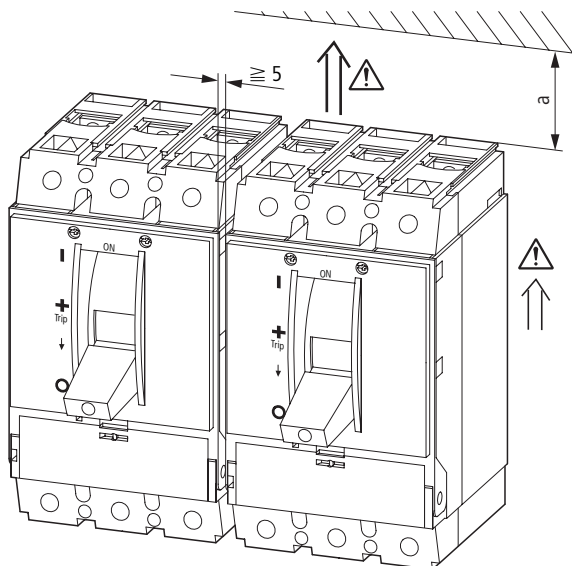
Blowout direction in case  
of a short-circuit

Dégagement gazeux en  
cas de court-circuit.

Direzione di estinzione in caso  
di corto circuito

Dirección de salida de los  
gases en caso de cortocircuito

Направление продувки в  
случае короткого замыкания

PM...2-(AT)(160, 200, 250)/3-FG  
PSD2-.../3-FG

|         | a<br>mm |
|---------|---------|
| PM2-... | 60      |
| PSD-... | 35      |

Ausblasrichtung  
im Kurzschlussfall

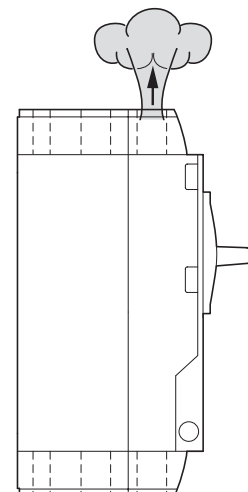
Blowout direction in case  
of a short-circuit

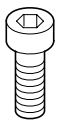
Dégagement gazeux en  
cas de court-circuit.

Direzione di estinzione in caso  
di corto circuito

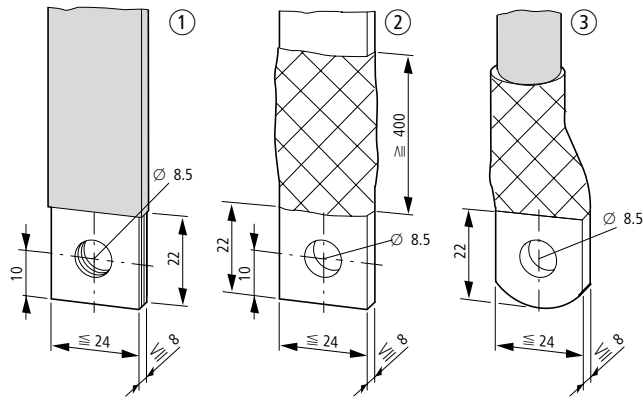
Dirección de salida de los  
gases en caso de cortocircuito

Направление продувки в  
случае короткого замыкания

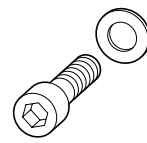




...-M8



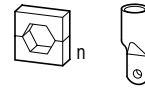
| ①  | ②                                | ③                               |
|--|----------------------------------|---------------------------------|
| $\cong 2 \times 16 \times 0.8 \text{ mm}$  | $\cong 16.5 \times 5 \text{ mm}$ | $1 \times 4 - 185 \text{ mm}^2$ |
| $\cong 10 \times 16 \times 0.8 \text{ mm}$ | $\cong 20 \times 5 \text{ mm}$   | $2 \times 4 - 70 \text{ mm}^2$  |
| $\cong 6 \times 24 \times 0.5 \text{ mm}$  |                                  |                                 |



3pol M8 x 22  
4pol



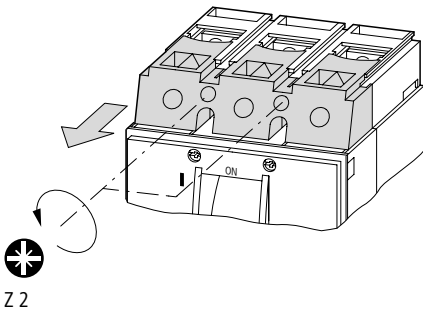
|                         |             |
|-------------------------|-------------|
| A = 95 mm <sup>2</sup>  | KS95-NZM7   |
| A = 120 mm <sup>2</sup> | KS120-NZM7  |
| A = 150 mm <sup>2</sup> | KS150-NZM7  |
| A = 185 mm <sup>2</sup> | NZM2-XKS185 |



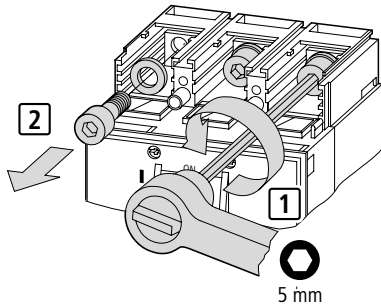
n = Anzahl der Pressungen  
n = Number of crimps  
n = Nombre de sertissages  
n = Numero delle crimpature  
n = Número de compresiones  
n = Число прессований

| n |             |
|---|-------------|
| 2 | KS95-NZM7   |
| 2 | KS120-NZM7  |
| 2 | KS150-NZM7  |
| 2 | NZM2-XKS185 |

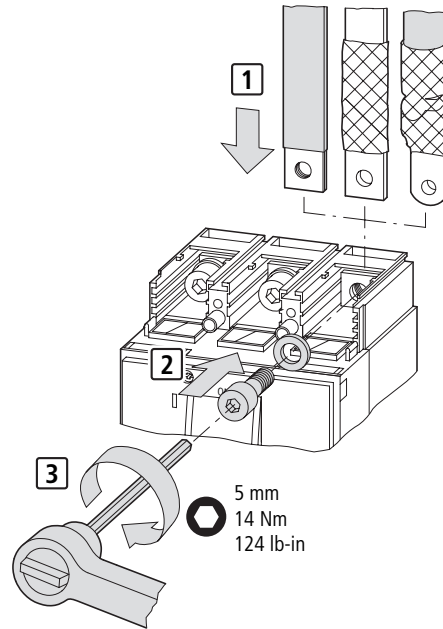
1



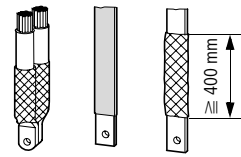
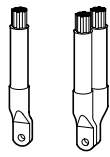
2



3

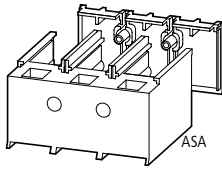


11/07\_AWA1230-2300



≅ 415 V

✓ +

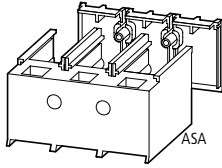


✓

✓

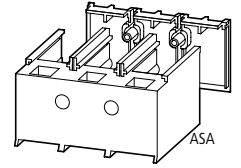
≅ 525 V

✓ +



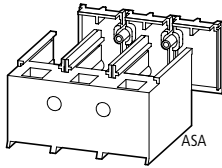
✓

✓ +

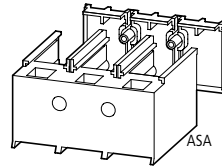


> 525

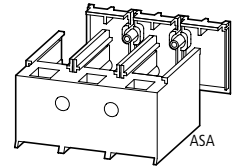
✓ +



✓ +

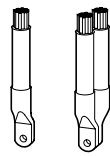


✓ +

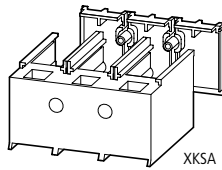


✓ Kombinationsmöglichkeiten – Combination options – Combinaisons possibles – Combinazioni possibili – Combinaciones posibles –  
Комбинационные возможности

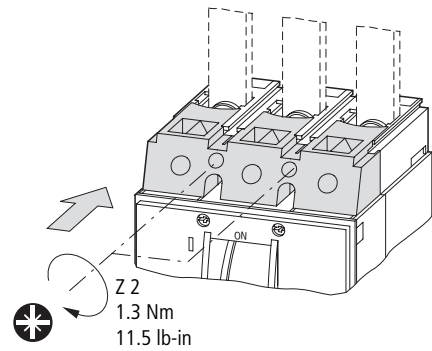
**PM...2-(AT)(160, 200, 250)/3-FG  
PSD2-.../3-FG**



✓ +



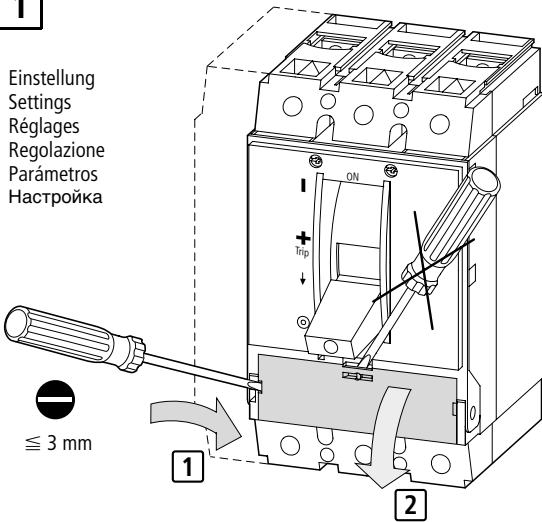
**4**



11/07 AWA1230-2300

**1**  $I_r$  (A)

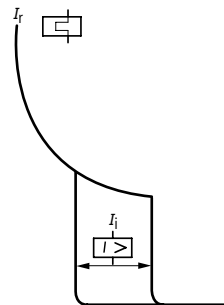
Einstellung  
Settings  
Réglages  
Regolazione  
Parámetros  
Настройка

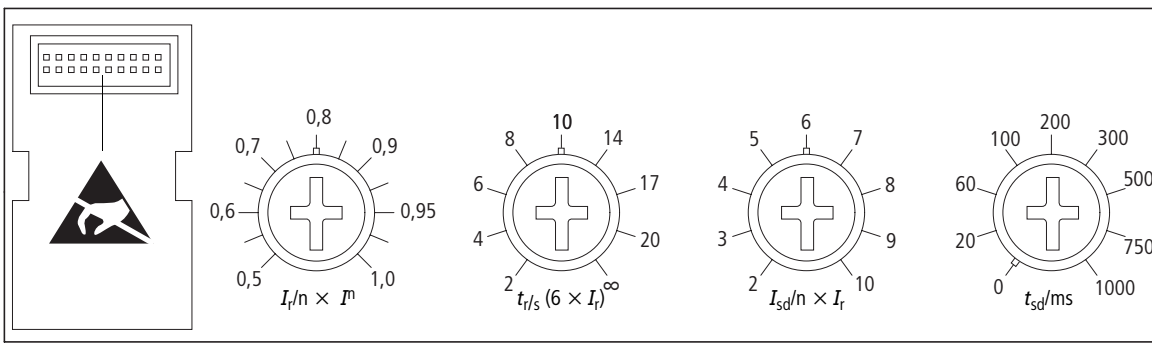


**2**

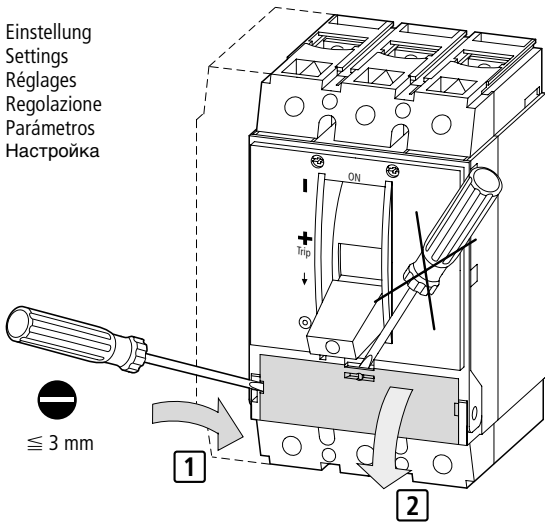


$I_r$  (A)

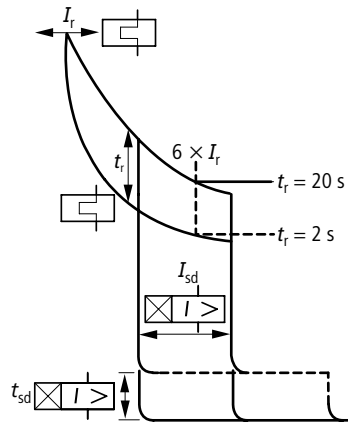
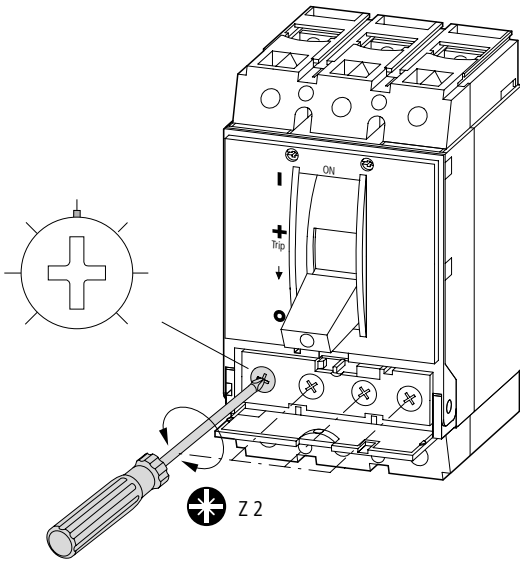




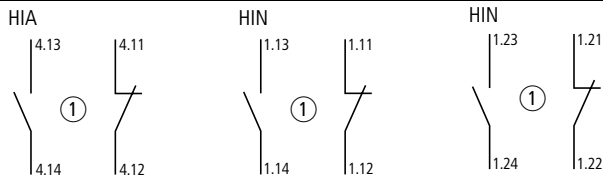
**1** Einstellung  
Settings  
Réglages  
Regolazione  
Parámetros  
Настройка



**2**  $I_r$  [A],  $t_r$  [s],  $I_{sd}$  [A],  $t_{sd}$  [ms]



M22-K10  
M22-K01  
M22-CK10  
M22-CK01  
Auxiliary Switches



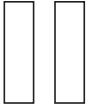
ICE  
  $I_{th} = I_e$

|       | $U_e$ (V) | $I_e$ (A) |
|-------|-----------|-----------|
| AC-15 | 115       | 4         |
|       | 230       | 4         |
|       | 400       | 2         |
|       | 500       | 1         |
| DC-13 | 24        | 3         |
|       | 42        | 1.7       |
|       | 60        | 1.2       |
|       | 110       | 0.8       |
|       | 220       | 0.3       |

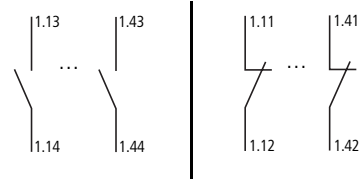
**M22-CK11**  
**M22-CK20**  
**M22-CK02**



HIN

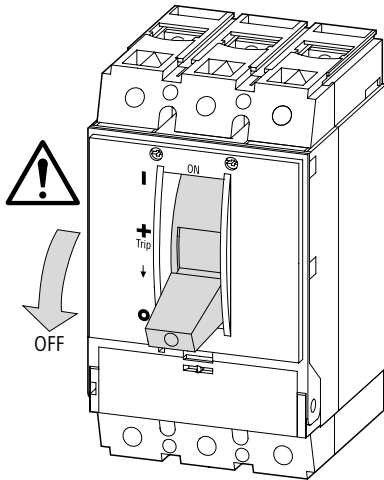


M22-CK11  
 ①  
 M22-CK20  
 ①  
 M22-CK02

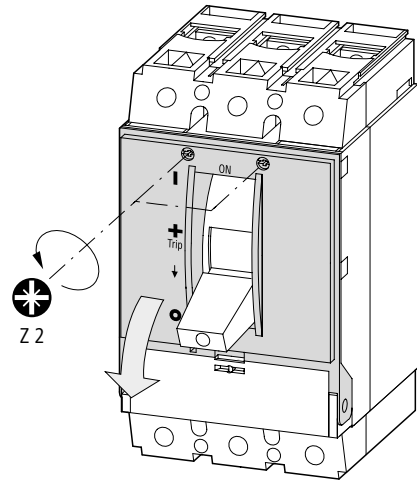


① oder – or – ou – oppure – ó – или – 或者

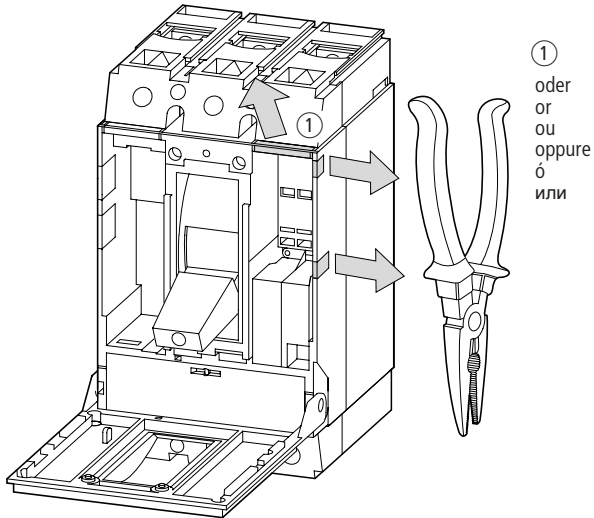
**1**



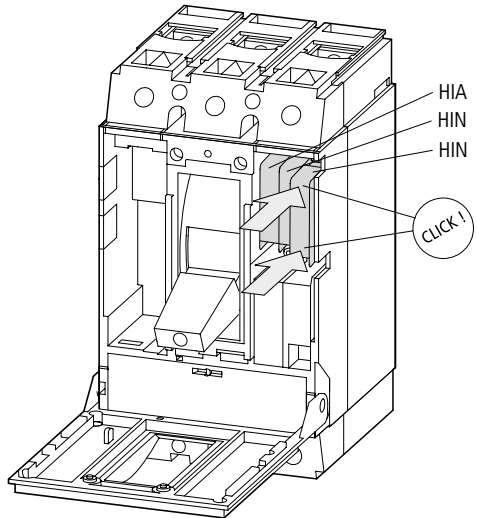
**2**



**3**



**4**



11/07 AWA1230-2300

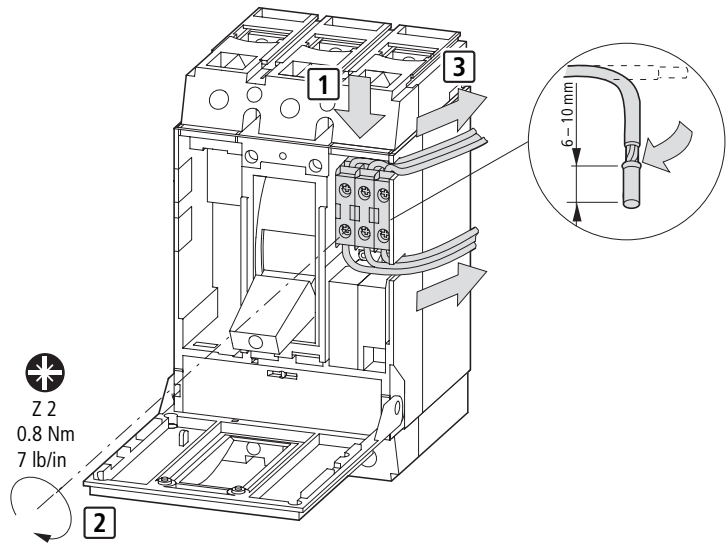
### 5a M22-K10, M22-K01

(Screw Terminals)

...K10: N. O. Contact

...K01: N. C. Contact

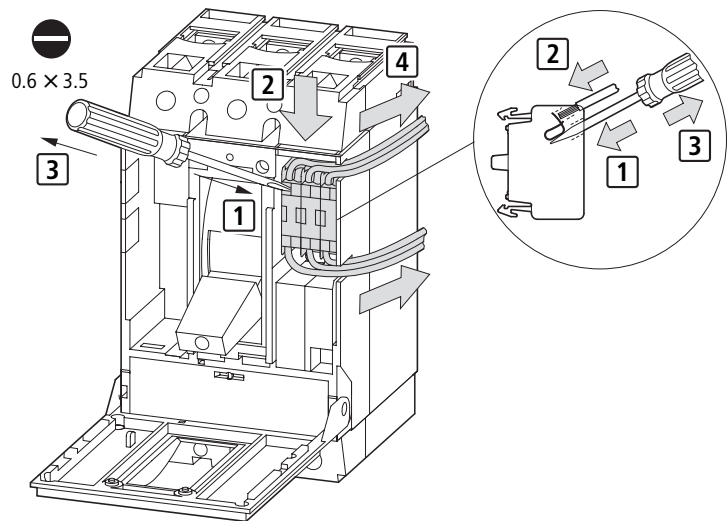
|                  |                                |
|------------------|--------------------------------|
|                  | 2 × 0.75 – 2.5 mm <sup>2</sup> |
|                  | 2 × AWG 18 – AWG 14            |
|                  |                                |
| UL/CSA = Cu only |                                |



### 5b M22-CK10, M22-CK01

(Clamp Terminals)

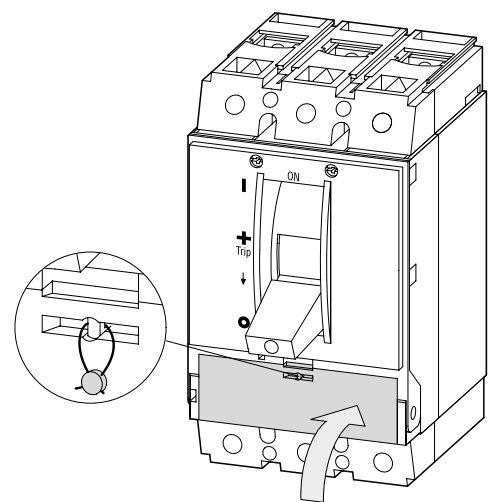
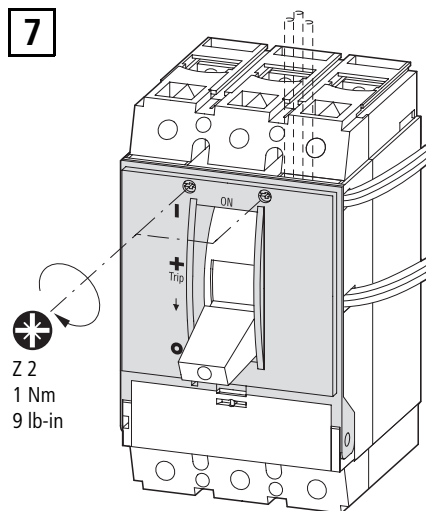
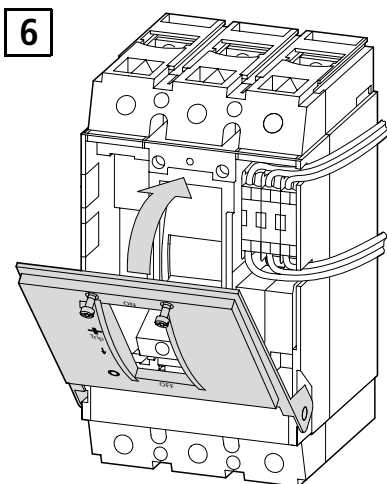
|                  |                                |
|------------------|--------------------------------|
|                  | 2 × 0.75 – 2.5 mm <sup>2</sup> |
|                  | 2 × AWG 18 – AWG 14            |
|                  |                                |
| UL/CSA = Cu only |                                |



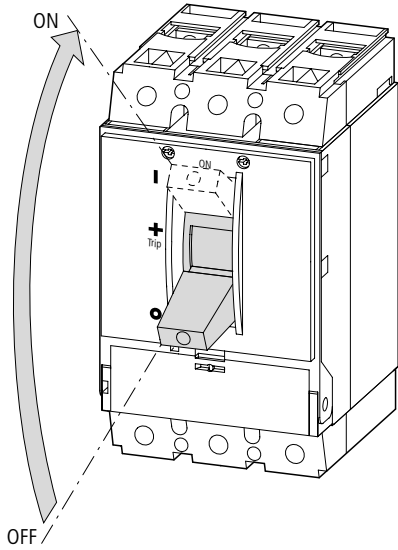
### 5c M22-CK11, M22-CK20, M22-CK02

(Clamp Terminals)

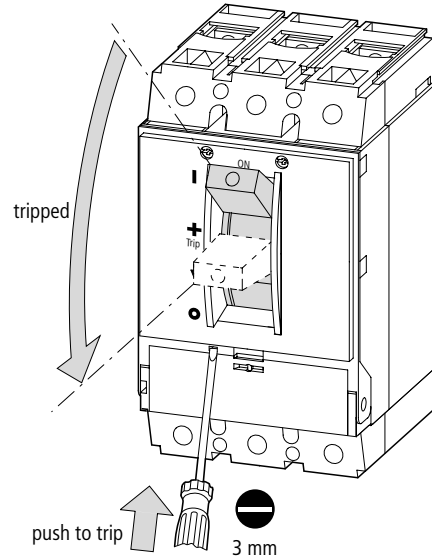
|  |                                |
|--|--------------------------------|
|  | a = 8 mm                       |
|  | 1 × 0.5 – 1.5 mm <sup>2</sup>  |
|  | 2 × 0.5 – 0.75 mm <sup>2</sup> |
|  |                                |



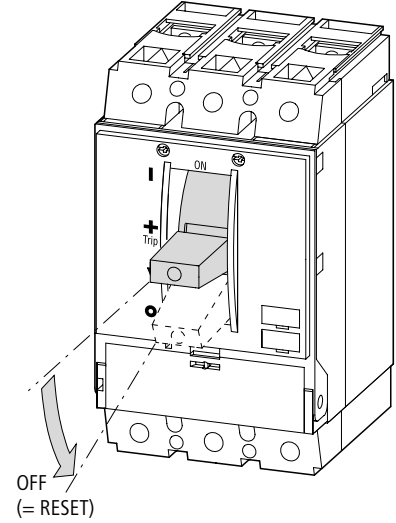
**TEST 1**



**TEST 2**

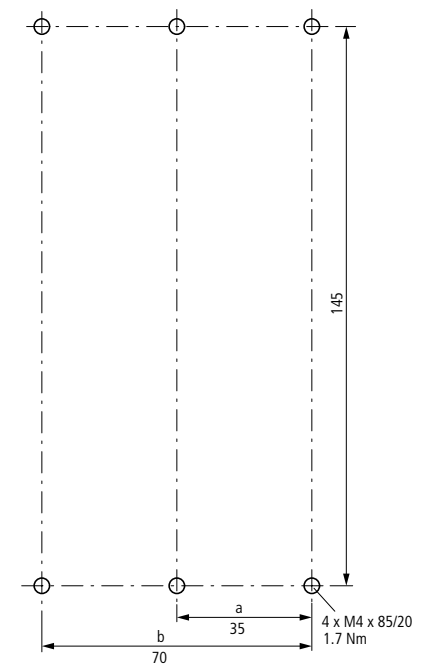
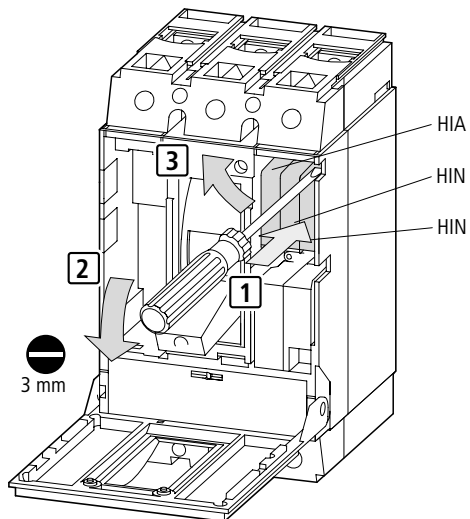


**TEST 3**



Demontage  
Dismantling Démontage  
Smontaggio  
Desmontaje  
Разборка

11/07 AWA1230-2300



| a               | b               |
|-----------------|-----------------|
| PM...2-.../3-FG | PM...2-.../4-FG |
| PSD2-.../3-FG   | PSD2-.../4-FG   |