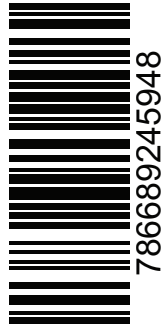
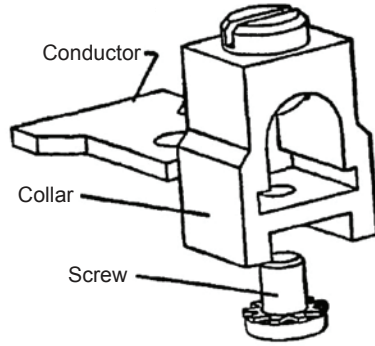


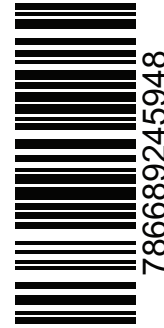
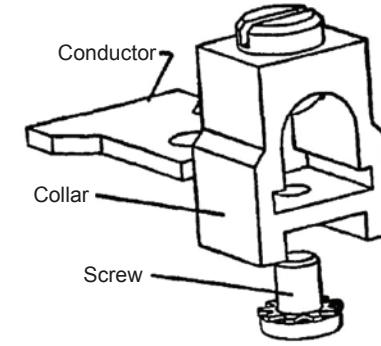
**PDG2 Tunnel Terminal (Aluminum) 100 amps, AWG
14-1/0, 1 pole**
Cat. No. PDG2X1TA100
Style No. 624B100G85
Quantity - 1



Instructions For Assembly:

- Insert Collar Around Conductor & Center Conductor Hole Over Collar Hole.
- Install Screw to Secure the Collar on the Conductor.
- **CAUTION:** Assemble As Shown. Collar Must Surround Conductor.

**PDG2 Tunnel Terminal (Aluminum) 100 amps, AWG
14-1/0, 1 pole**
Cat. No. PDG2X1TA100
Style No. 624B100G85
Quantity - 1

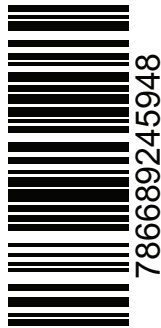
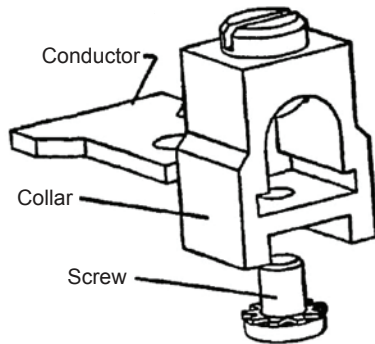


Instructions For Assembly:

- Insert Collar Around Conductor & Center Conductor Hole Over Collar Hole.
- Install Screw to Secure the Collar on the Conductor.
- **CAUTION:** Assemble As Shown. Collar Must Surround Conductor.

+

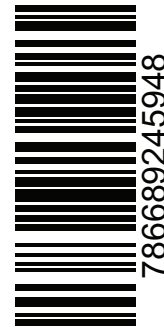
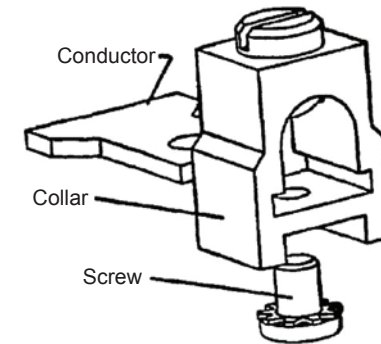
**PDG2 Tunnel Terminal (Aluminum) 100 amps, AWG
14-1/0, 1 pole**
Cat. No. PDG2X1TA100
Style No. 624B100G85
Quantity - 1



Instructions For Assembly:

- Insert Collar Around Conductor & Center Conductor Hole Over Collar Hole.
- Install Screw to Secure the Collar on the Conductor.
- **CAUTION:** Assemble As Shown. Collar Must Surround Conductor.

**PDG2 Tunnel Terminal (Aluminum) 100 amps, AWG
14-1/0, 1 pole**
Cat. No. PDG2X1TA100
Style No. 624B100G85
Quantity - 1



Instructions For Assembly:

- Insert Collar Around Conductor & Center Conductor Hole Over Collar Hole.
- Install Screw to Secure the Collar on the Conductor.
- **CAUTION:** Assemble As Shown. Collar Must Surround Conductor.