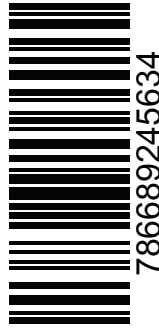
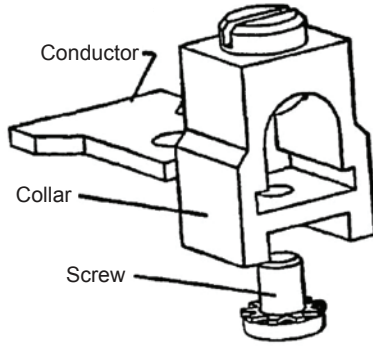


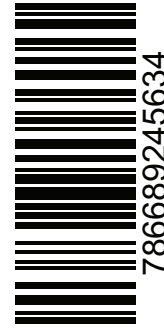
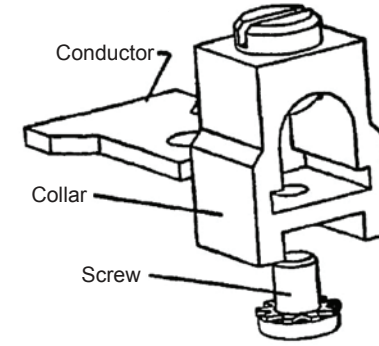
PDG2 Tunnel Terminal (Aluminum) 100 amps, AWG  
14-1/0, 2 poles  
Cat. No. PDG2X2TA100  
Style No. 624B100G86  
Quantity - 2



**Instructions For Assembly:**

- Insert Collar Around Conductor & Center Conductor Hole Over Collar Hole.
- Install Screw to Secure the Collar on the Conductor.
- **CAUTION:** Assemble As Shown. Collar Must Surround Conductor.

PDG2 Tunnel Terminal (Aluminum) 100 amps, AWG  
14-1/0, 2 poles  
Cat. No. PDG2X2TA100  
Style No. 624B100G86  
Quantity - 2

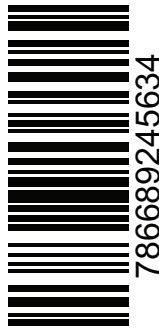
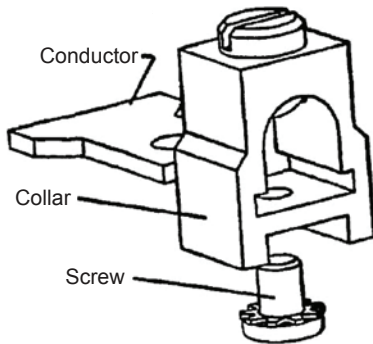


**Instructions For Assembly:**

- Insert Collar Around Conductor & Center Conductor Hole Over Collar Hole.
- Install Screw to Secure the Collar on the Conductor.
- **CAUTION:** Assemble As Shown. Collar Must Surround Conductor.

+

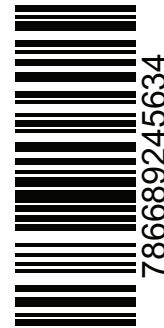
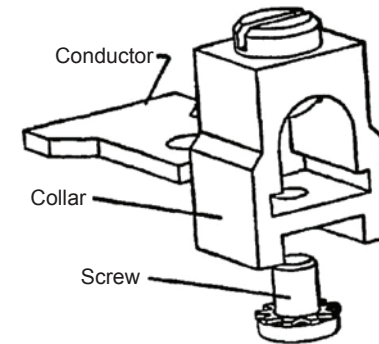
PDG2 Tunnel Terminal (Aluminum) 100 amps, AWG  
14-1/0, 2 poles  
Cat. No. PDG2X2TA100  
Style No. 624B100G86  
Quantity - 2



**Instructions For Assembly:**

- Insert Collar Around Conductor & Center Conductor Hole Over Collar Hole.
- Install Screw to Secure the Collar on the Conductor.
- **CAUTION:** Assemble As Shown. Collar Must Surround Conductor.

PDG2 Tunnel Terminal (Aluminum) 100 amps, AWG  
14-1/0, 2 poles  
Cat. No. PDG2X2TA100  
Style No. 624B100G86  
Quantity - 2



**Instructions For Assembly:**

- Insert Collar Around Conductor & Center Conductor Hole Over Collar Hole.
- Install Screw to Secure the Collar on the Conductor.
- **CAUTION:** Assemble As Shown. Collar Must Surround Conductor.