



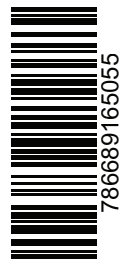
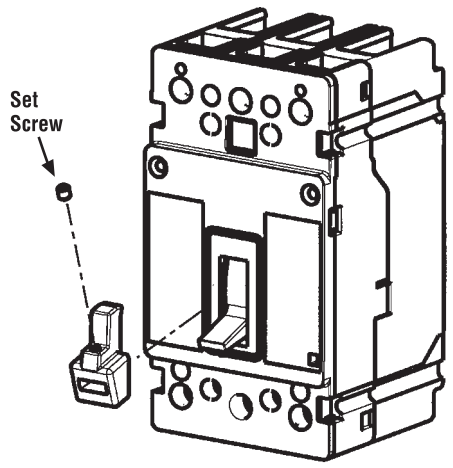
**Power
Defense™**

Circuit Breaker
Accessory

For PDG1
Frame

IL012177EN H01

PDG1 Non Padlockable Handle Block
Cat. No. PDG1XHB
Style No. 66A1591G09
Quantity - 1



Circuit Breaker Can Be Locked Either "ON" or "OFF".
Instructions For Assembly -
• Place Block Over Handle & Secure With Set Screw.



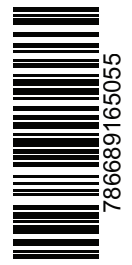
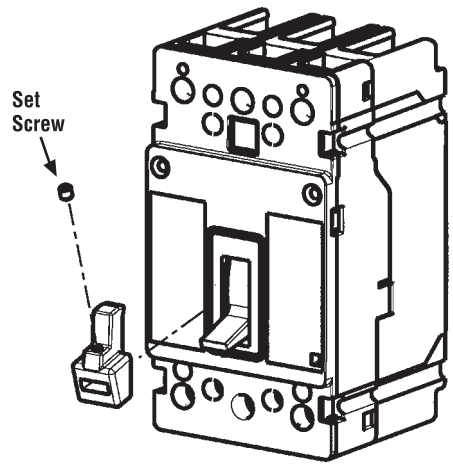
**Power
Defense™**

Circuit Breaker
Accessory

For PDG1
Frame

IL012177EN H01

PDG1 Non Padlockable Handle Block
Cat. No. PDG1XHB
Style No. 66A1591G09
Quantity - 1



Circuit Breaker Can Be Locked Either "ON" or "OFF".
Instructions For Assembly -
• Place Block Over Handle & Secure With Set Screw.

+



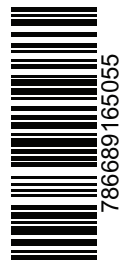
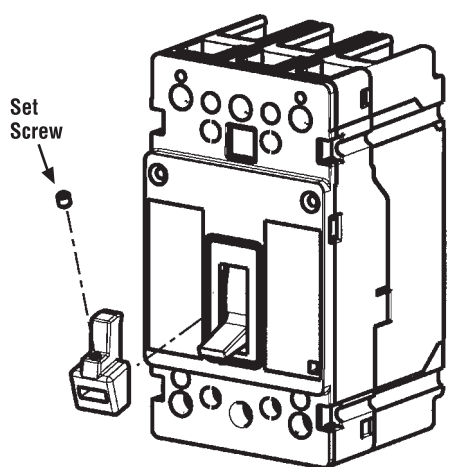
**Power
Defense™**

Circuit Breaker
Accessory

For PDG1
Frame

IL012177EN H01

PDG1 Non Padlockable Handle Block
Cat. No. PDG1XHB
Style No. 66A1591G09
Quantity - 1



Circuit Breaker Can Be Locked Either "ON" or "OFF".
Instructions For Assembly -
• Place Block Over Handle & Secure With Set Screw.



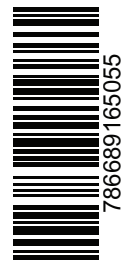
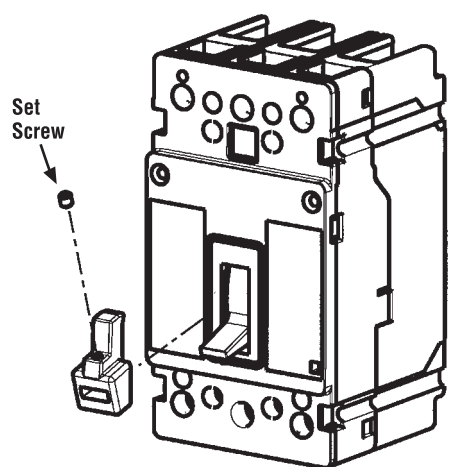
**Power
Defense™**

Circuit Breaker
Accessory

For PDG1
Frame

IL012177EN H01

PDG1 Non Padlockable Handle Block
Cat. No. PDG1XHB
Style No. 66A1591G09
Quantity - 1



Circuit Breaker Can Be Locked Either "ON" or "OFF".
Instructions For Assembly -
• Place Block Over Handle & Secure With Set Screw.