



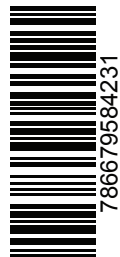
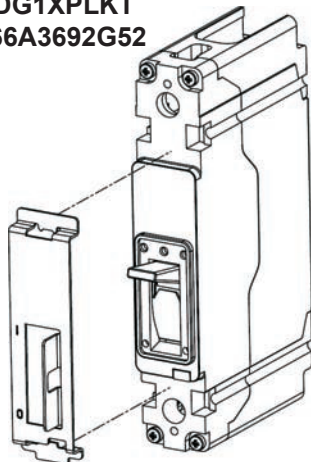
**Power
Defense™**

**Circuit Breaker
Accessory**

**For PDG1
Frame**

PDG1 Padlockable Handle Lock Hasp
Cat. Number - PDG1XPLKT
Style Number - 66A3692G52
Quantity - 1

CAUTION:
The handle lock is not designed to be removed once installed. Removal will cause loss of clamping force of the handle lock and damage the circuit breaker escutcheon.



Installation Instructions:

1. Place circuit breaker on a flat surface with the handle up.
2. Position the handle lock on the circuit breaker with the padlockable arm to the right of the handle.
3. Place a flat-blade screwdriver on each end of the handle lock and press down evenly until the engaging tabs touch the bottom of the escutcheon surface. Surface of the handle lock should be flush with the surface of the circuit breaker.
4. The recommended shaft size of the padlock is to be between .250-.282 in. (6-7 mm) in diameter.

IL012180EN H01



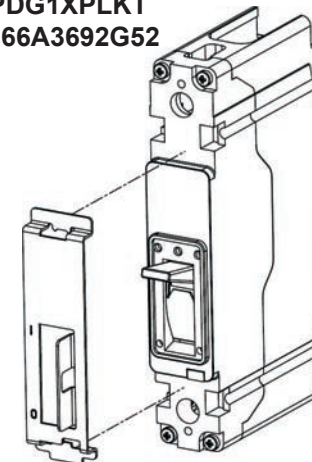
**Power
Defense™**

**Circuit Breaker
Accessory**

**For PDG1
Frame**

PDG1 Padlockable Handle Lock Hasp
Cat. Number - PDG1XPLKT
Style Number - 66A3692G52
Quantity - 1

CAUTION:
The handle lock is not designed to be removed once installed. Removal will cause loss of clamping force of the handle lock and damage the circuit breaker escutcheon.



Installation Instructions:

1. Place circuit breaker on a flat surface with the handle up.
2. Position the handle lock on the circuit breaker with the padlockable arm to the right of the handle.
3. Place a flat-blade screwdriver on each end of the handle lock and press down evenly until the engaging tabs touch the bottom of the escutcheon surface. Surface of the handle lock should be flush with the surface of the circuit breaker.
4. The recommended shaft size of the padlock is to be between .250-.282 in. (6-7 mm) in diameter.

IL012180EN H01



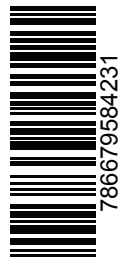
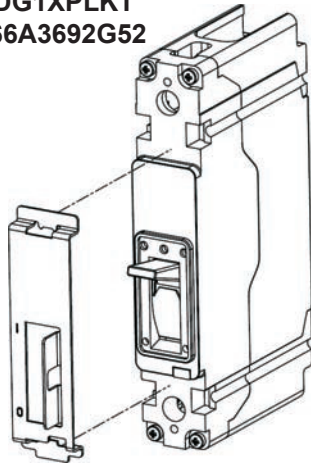
**Power
Defense™**

**Circuit Breaker
Accessory**

**For PDG1
Frame**

PDG1 Padlockable Handle Lock Hasp
Cat. Number - PDG1XPLKT
Style Number - 66A3692G52
Quantity - 1

CAUTION:
The handle lock is not designed to be removed once installed. Removal will cause loss of clamping force of the handle lock and damage the circuit breaker escutcheon.



Installation Instructions:

1. Place circuit breaker on a flat surface with the handle up.
2. Position the handle lock on the circuit breaker with the padlockable arm to the right of the handle.
3. Place a flat-blade screwdriver on each end of the handle lock and press down evenly until the engaging tabs touch the bottom of the escutcheon surface. Surface of the handle lock should be flush with the surface of the circuit breaker.
4. The recommended shaft size of the padlock is to be between .250-.282 in. (6-7 mm) in diameter.

IL012180EN H01



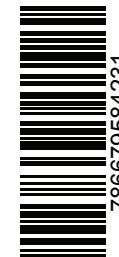
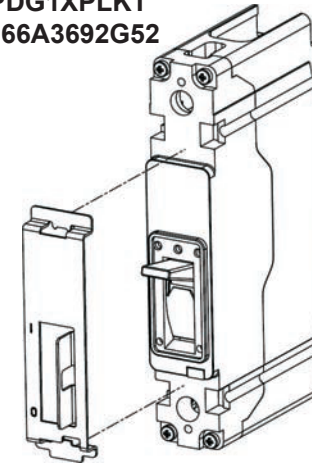
**Power
Defense™**

**Circuit Breaker
Accessory**

**For PDG1
Frame**

PDG1 Padlockable Handle Lock Hasp
Cat. Number - PDG1XPLKT
Style Number - 66A3692G52
Quantity - 1

CAUTION:
The handle lock is not designed to be removed once installed. Removal will cause loss of clamping force of the handle lock and damage the circuit breaker escutcheon.



Installation Instructions:

1. Place circuit breaker on a flat surface with the handle up.
2. Position the handle lock on the circuit breaker with the padlockable arm to the right of the handle.
3. Place a flat-blade screwdriver on each end of the handle lock and press down evenly until the engaging tabs touch the bottom of the escutcheon surface. Surface of the handle lock should be flush with the surface of the circuit breaker.
4. The recommended shaft size of the padlock is to be between .250-.282 in. (6-7 mm) in diameter.

IL012180EN H01