

XLM Supercapacitor Module



High reliability, long life, maintenance free supercapacitor energy module for backup power



The XLM supercapacitor module is compact and easy to install.

Product description:

Eaton's XLM supercapacitor module provides energy storage for bridge power uninterruptible power supplies (UPS) to improve power quality and offers high power density for peak power shaving and capture.

What's more, the XLM is a safer and more environmentally friendly alternative to traditional batteries as they are RoHS compliant.

The XLM module can increase the life of a backup system and eliminate the need for replacement parts and batteries.

Additionally, the XLM module can be wired in series and/or parallel to meet the power requirements of the application.

Features and benefits:

- Maintenance free and requires no monitoring or user controls. An integrated cell balancing circuit is pre-installed.
- Easily rack mountable due to 4U height by 6.9" wide. Connections on the front of the module for easy configuration.
- Operating lifespan of up to 20 years.
- Provides high availability due to fast recharging. Immediate use upon installation.
- Lighter weight can reduce rack structure costs and floor reinforcements.



The XLM supercapacitor module is a self-contained energy storage device comprised of twenty-three individual XL60 supercapacitor cells

EATON

Powering Business Worldwide

Specifications

Capacitance:

- 130 F

Initial maximum DC ESR:

- 6.7 mΩ – measured according to IEC 62391 @ 62.1 V

Agency/Certifications:

- UL810A, CE

Maximum working voltage:

- 62.1 V

Maximum current:

- 2000 A

Shock and vibration:

- Telcordia GR-63 Zone 4

Operating temperature range:

- -40° C to +65 °C

Peak Power:

- 140 kW

Environmental:

- IP30, RoHS

Operating life:

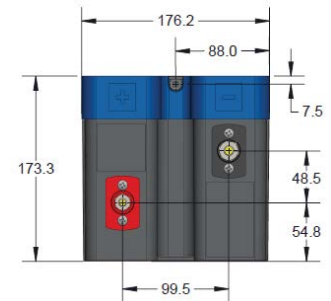
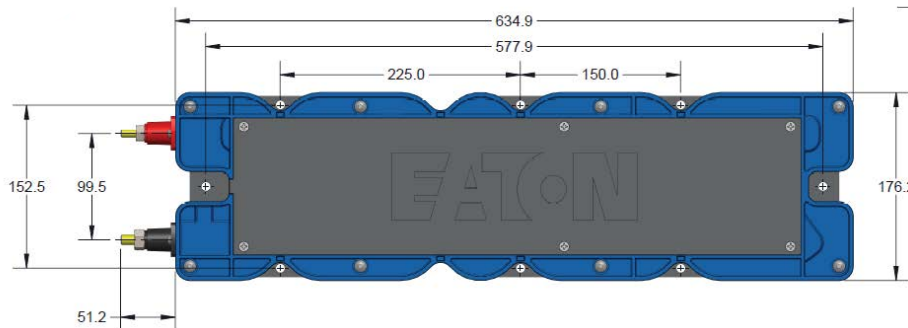
- Up to 20 years

Total stored energy:

- 69.6 kW

Dimensions

Part Number	W	L	H	Typical Mass (kg)
XLM-62R1137A-R	176	635	173	16
Tolerance	± 1.0			



Positive Terminal: 5/16" – 18 threaded stud

Negative Terminal: 3/8" – 16 threaded stud

Connecting Modules



Eaton
Electronics Division
 1000 Eaton Boulevard
 Cleveland, OH 44122
 United States
www.eaton.com/electronics

© 2018 Eaton
 All Rights Reserved
 Printed in USA
 Publication No. 10441 BU-MC15024
 June 2018

Eaton is a registered trademark.

All other trademarks are property of their respective owners.