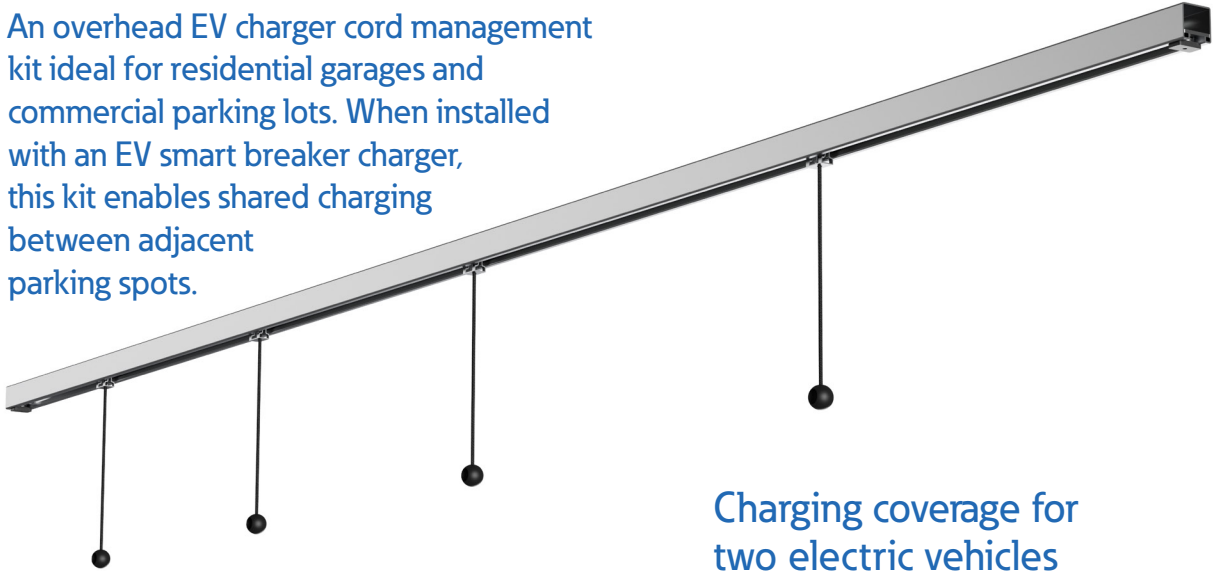
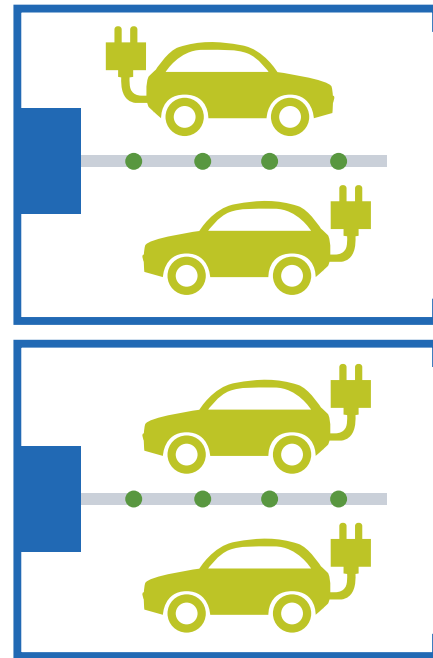


# EV charger cord management ceiling kit

An overhead EV charger cord management kit ideal for residential garages and commercial parking lots. When installed with an EV smart breaker charger, this kit enables shared charging between adjacent parking spots.



Charging coverage for two electric vehicles

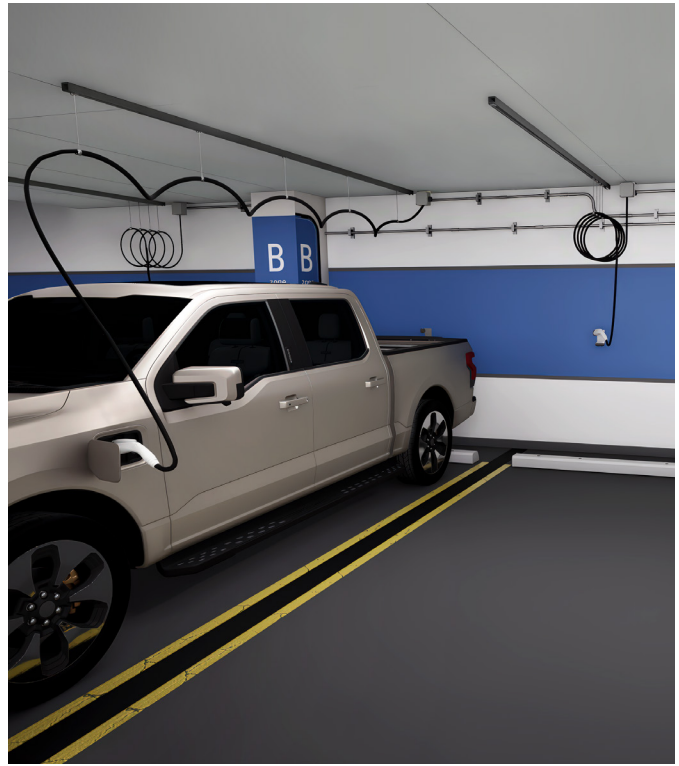


## Key features:

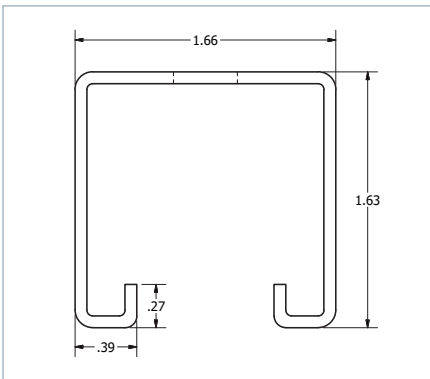
- Configurable design for all garage sizes that is easy to install
- Cord management that eliminates trip hazards
- Overhead solution that minimizes wear and tear on charging connector
- Stainless steel track supports a robust installation
- Adjustable clamps to optimize cord length based on EV charging port location

**EATON**

*Powering Business Worldwide*



## Product dimensions



## Technical specification

<b>Catalog number</b>	- EVCC-JB-CLGKIT
<b>Cord length supported</b>	- 25 feet
<b>Track length</b>	- 10 feet
<b>Track material</b>	- Steel
<b>Rated</b>	- Indoor only use
<b>Works with</b>	- GMEV32BR-JB and GMEV32BAB-JB

Contact the Eaton Technical Resource Center at  
**1-877-ETN-CARE (386-2273)**  
 option 2, option 9 for further assistance.

**Eaton**  
 1000 Eaton Boulevard  
 Cleveland, OH 44122  
 United States  
 Eaton.com

© 2024 Eaton  
 All Rights Reserved  
 Pub Number: TD191022EN / GG  
 Rev. 01  
 August 2024

**EATON**  
 Powering Business Worldwide

Eaton is a registered trademark.  
 All other trademarks are property  
 of their respective owners.

Follow us on social media to get the  
 latest product and support information.

