

# Type 4X Panel Enclosures

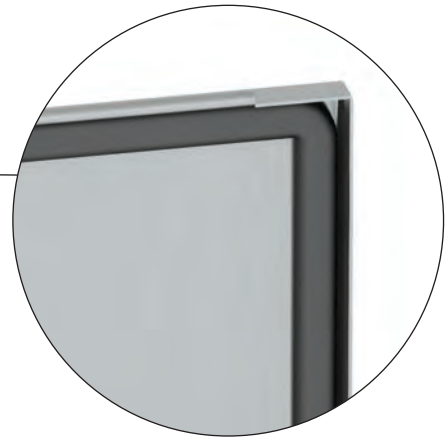


JIC Enclosures Type 4X Lift-Off Cover .....	194-195
JIC Enclosures Type 4X Lift-Off Cover, Aluminum .....	196-197
JIC Enclosures Type 4X JIC Continuous Hinge Cover .....	198-199
JIC Enclosures Type 4X JIC Continuous Hinge Cover Aluminum .....	200-201
JIC Enclosures Type 4X JIC Continuous Hinge Cover Quarter-Turn Latches .....	202-203
Wall-Mount Enclosures Type 4X Single-Door .....	204-205
Wall-Mount Enclosures Type 4X Single-Door, Aluminum .....	206-207
Wall-Mount Enclosures Type 4X Premier™ Quarter-Turn Latches .....	208-211
Premier™ Series Accessories .....	212-217
Wall-Mount Enclosures Type 4X Single-Door 3-Point Locking .....	218-219
Wall-Mount Enclosures Type 4X Double-Door 3-Point Locking .....	220-221
Ground-Mount Enclosures Type 4X Double-Door Floor Standing .....	222-223
Ground-Mount Enclosures Type 4X Double-Door Floor-Standing Quarter-Turn Latches .....	224-225
Ground-Mount Enclosures Type 4X Double-Door Floor-Standing 3-Point Locking .....	226-227
Ground-Mount Enclosures Type 4X Single-Door Free-Standing .....	228-229
Ground-Mount Enclosures Type 4X Single-Door Free-Standing Quarter-Turn Latches .....	230-231
Ground-Mount Enclosures Type 4X Single-Door Free-Standing 3-Point Locking .....	232-233
Ground-Mount Enclosures Type 4X Single-Door Dual Access Free-Standing 3-Point Locking .....	234-235
Ground-Mount Enclosures Type 4X Double-Door Free-Standing 3-Point Locking .....	236-237
Ground-Mount Enclosures Type 4X Double-Door Dual Access Free-Standing 3-Point Locking .....	238-239
Ground-Mount Enclosures Type 4X Multi-Door Free-Standing 3-Point Locking .....	239a-239d
Ground-Mount Enclosures Type 4X Double-Door EnviroShield™ Free-Standing 3-Point Locking .....	240-241
Free-Standing Enclosure Accessories .....	242-253

Type 4X Panel Enclosures

# Type 4X Panel Enclosures

## JIC Enclosures Type 4X Lift-Off Cover Data Sheet



Seamless, poured in-place gasket

### Application

- Houses electrical controls and instruments
- Intended for indoor or outdoor use where a corrosive environment exists
- Protects against corrosion, windblown dust and rain, splashing water and hose directed water

### Standards

- UL 508A listed, Type 4X, Type 4, Type 12 and Type 13
- CSA C22.2 No.94 certified, Type 4X, Type 4, Type 12 and Type 13
- Conforms to NEMA standard for Type 4X, Type 4, Type 12 and Type 13

### Finish

- Cover and sides of body have a smooth #4 brushed finish

### Accessories

- Panels
- JIC terminal strap kit
- JIC terminal strip kit
- Terminal blocks
- See Accessories section

### Construction

- Enclosure and cover are fabricated from (16) gauge, Type 304 or Type 316L stainless steel
- All continuous welded seams are finished smooth
- Cover is secured to the body with easy-to-operate stainless steel screw clamps mounted on all four sides
- Cover has a seamless poured in-place gasket
- #10-32 weld nuts are provided for mounting optional panel on 6" x 4" and larger enclosures
- Ground stud provided on cover
- External mounting feet are provided for secure wall mounting

### Discount Schedule: C2

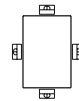
**Subclass: DD0 (Type 304)  
D10 (Type 316L)**

**Notes:** We can provide special sizes, finishes and other modifications. Consult the factory for your special requirements.

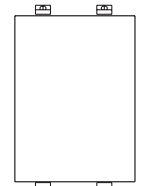
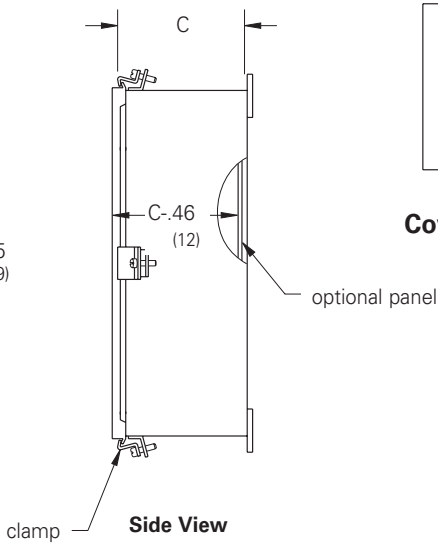
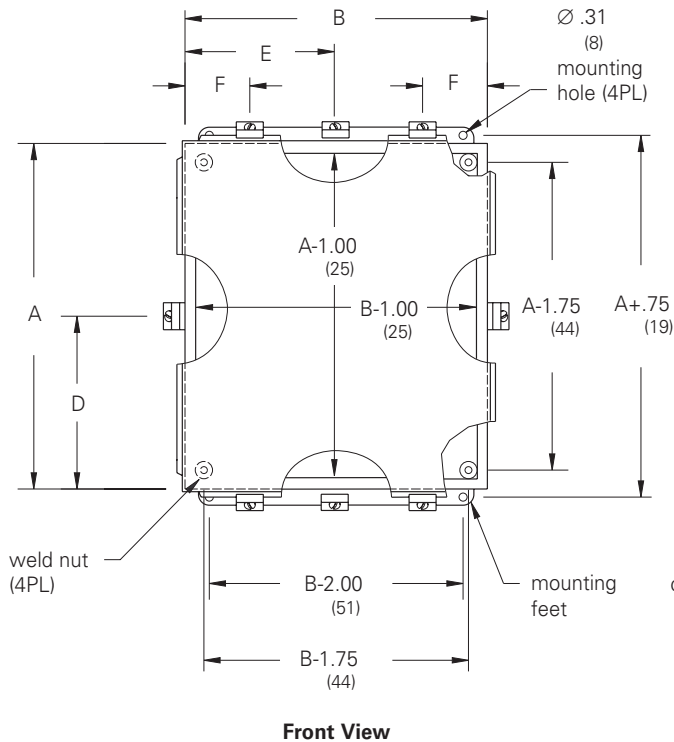
# Type 4X Panel Enclosures

## JIC Enclosures Type 4X Lift-Off Cover Illustration Sheet and Catalog Number

Enclosure Catalog Number Stainless Steel		Enclosure Size Height x Width x Depth A x B x C		D	E	F	Panel Catalog Number		Panel Size Height x Width		
Type 304	Type 316L	in.	mm	in.	mm	in.	mm	Steel	Conductive	in.	mm
443-4XSLC	443-4XSS6LC	4.00 x 4.00 x 3.00	102 x 102 x 76	2.00	51	2.00	51	—	—	—	—
643-4XSLC	643-4XSS6LC	6.00 x 4.00 x 3.00	152 x 102 x 76	3.00	76	2.00	51	AW64P	AW64GP	4.87 x 2.87	124 x 73
664-4XSLC	664-4XSS6LC	6.00 x 6.00 x 4.00	152 x 152 x 102	3.00	76	3.00	76	AW66P	AW66GP	4.87 x 4.87	124 x 124
864-4XSLC	864-4XSS6LC	8.00 x 6.00 x 4.00	203 x 152 x 102	—	—	—	—	AW86P	AW86GP	6.87 x 4.87	174 x 124
884-4XSLC	884-4XSS6LC	8.00 x 8.00 x 4.00	203 x 203 x 102	—	—	—	—	AW88P	AW88GP	6.87 x 6.87	174 x 174
1084-4XSLC	1084-4XSS6LC	10.00 x 8.00 x 4.00	254 x 203 x 102	—	—	—	—	AW108P	AW108GP	8.87 x 6.87	225 x 174
12105-4XSLC	12105-4XSS6LC	12.00 x 10.00 x 5.00	305 x 254 x 127	—	—	—	—	AW1210P	AW1210GP	10.87 x 8.87	276 x 225
14126-4XSLC	14126-4XSS6LC	14.00 x 12.00 x 6.00	356 x 305 x 152	—	—	—	—	AW1412P	AW1412GP	12.87 x 10.87	327 x 276
16146-4XSLC	16146-4XSS6LC	16.00 x 14.00 x 6.00	406 x 356 x 152	—	—	—	—	AW1614P	AW1614GP	14.87 x 12.87	378 x 327



443-4XSLC  
643-4XSLC  
664-4XSLC



864-4XSLC  
884-4XSLC  
1084-4XSLC  
12105-4XSLC  
14126-4XSLC  
16146-4XSLC

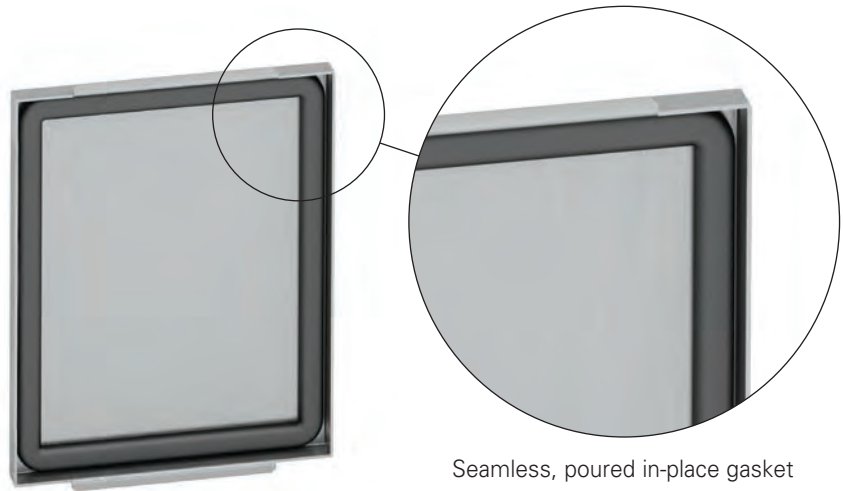
### Cover Clamp Layout

Type 4X Panel Enclosures

**Notes:** Dimensions are in inches. Millimeters shown are for reference only. Data subject to change without notice.

# Type 4X Panel Enclosures

## JIC Enclosures Type 4X Lift-Off Cover, Aluminum Data Sheet



Seamless, poured in-place gasket

### Application

- Houses electrical controls and instruments
- Intended for indoor or outdoor use where a corrosive environment exists
- Protects against corrosion, windblown dust and rain, splashing water and hose directed water

### Standards

- UL 508A listed, Type 4, Type 4X, Type 12 and Type 13
- CSA C22.2 No.94 certified, Type 4, Type 4X, Type 12 and Type 13
- Conforms to NEMA standard for Type 4, Type 4X, Type 12 and Type 13

### Finish

- Cover and sides of body have a smooth #4 brushed finish

### Accessories

- Panels
- JIC terminal strap kit
- JIC terminal strip kit
- Terminal blocks
- See Accessories section

### Construction

- Enclosure and cover are fabricated from (14) gauge, Type 5052-H32 aluminum
- All continuous welded seams are finished smooth
- Cover is secured to the body with easy-to-operate stainless steel screw clamps mounted on all four sides
- Each door has a print pocket and padlock hasp with sealing hole provision
- Cover has a seamless poured in-place gasket
- #10-32 weld nuts are provided for mounting optional panel on 6" x 4" and larger enclosures
- External mounting feet are provided for secure wall mounting

### Discount Schedule: C2

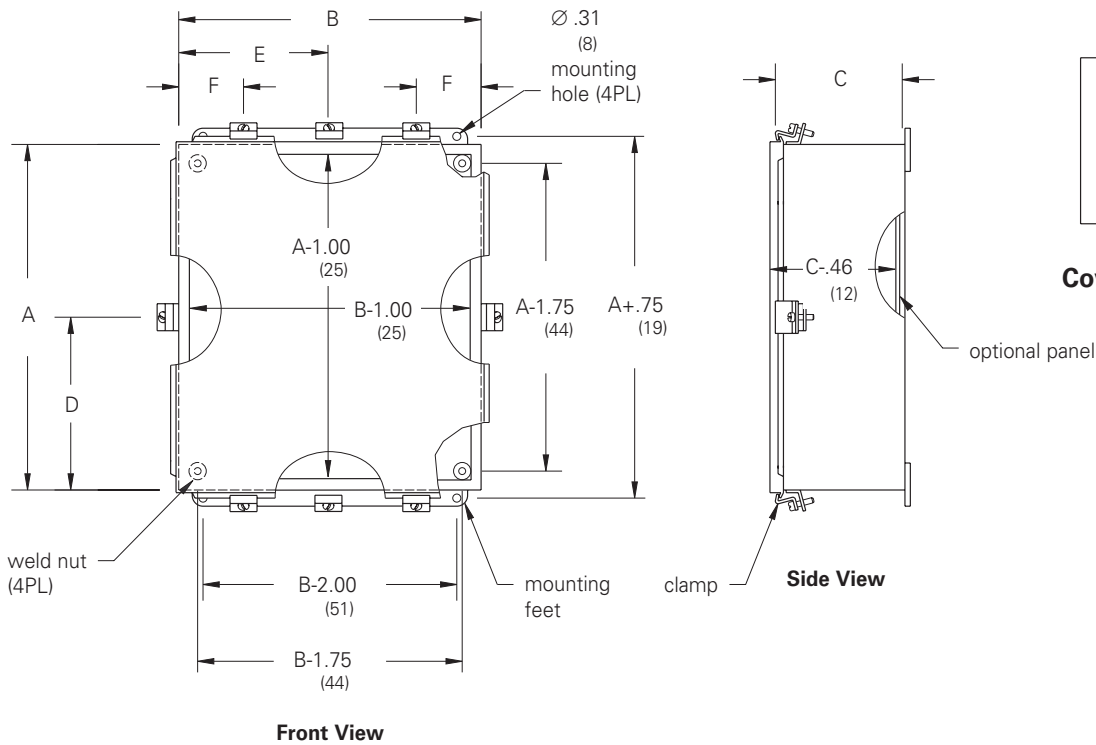
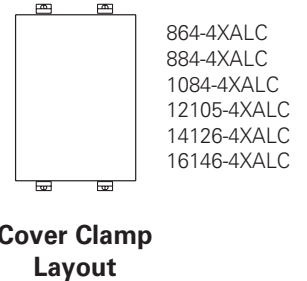
### Subclass: DDA

**Notes:** We can provide special sizes, finishes and other modifications. Consult the factory for your special requirements.

# Type 4X Panel Enclosures

## JIC Enclosures Type 4X Lift-Off Cover, Aluminum Illustration Sheet and Catalog Number

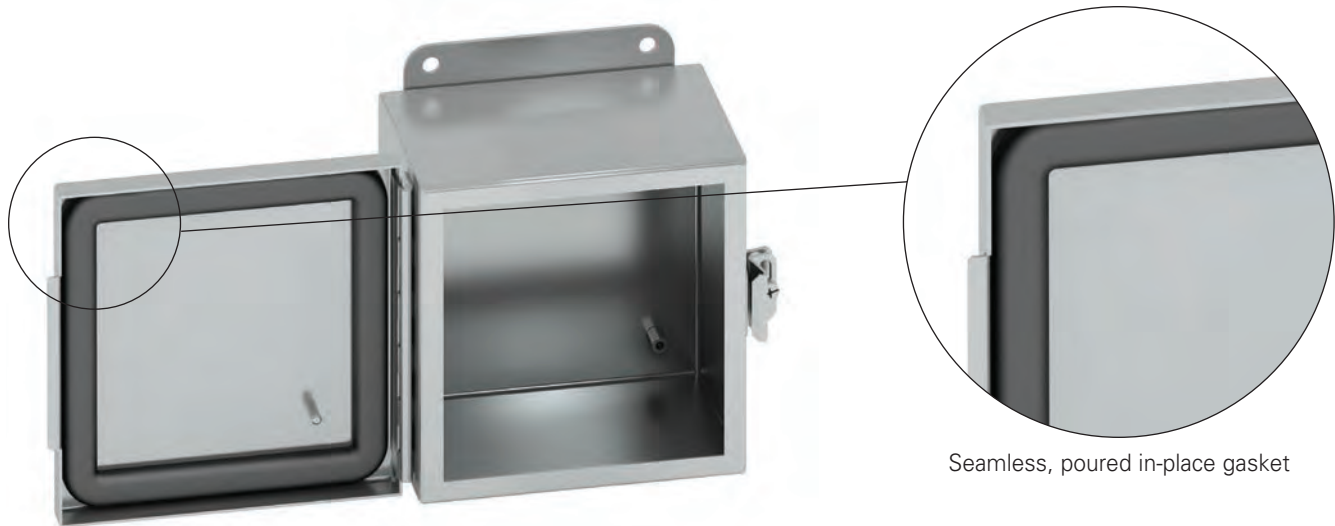
Enclosure Catalog Number	Enclosure Size Height x Width x Depth A x B x C		D in. mm	E in. mm	F in. mm	Panel Catalog Number		Panel Size Height x Width in. mm	
	in.	mm				Steel	Conductive	in.	mm
443-4XALC	4.00 x 4.00 x 3.00	102 x 102 x 76	2.00 51	2.00 51	— —	—	—	—	—
643-4XALC	6.00 x 4.00 x 3.00	152 x 102 x 76	3.00 76	2.00 51	— —	AW64P	AW64GP	4.87 x 2.87	124 x 73
664-4XALC	6.00 x 6.00 x 4.00	152 x 152 x 102	3.00 76	3.00 76	— —	AW66P	AW66GP	4.87 x 4.87	124 x 124
864-4XALC	8.00 x 6.00 x 4.00	203 x 152 x 102	— —	— —	2.00 51	AW86P	AW86GP	6.87 x 4.87	174 x 124
884-4XALC	8.00 x 8.00 x 4.00	203 x 203 x 102	— —	— —	2.00 51	AW88P	AW88GP	6.87 x 6.87	174 x 174
1084-4XALC	10.00 x 8.00 x 4.00	254 x 203 x 102	— —	— —	2.00 51	AW108P	AW108GP	8.87 x 6.87	225 x 174
12105-4XALC	12.00 x 10.00 x 5.00	305 x 254 x 127	— —	— —	3.00 76	AW1210P	AW1210GP	10.87 x 8.87	276 x 225
14126-4XALC	14.00 x 12.00 x 6.00	356 x 305 x 152	— —	— —	3.00 76	AW1412P	AW1412GP	12.87 x 10.87	327 x 276
16146-4XALC	16.00 x 14.00 x 6.00	406 x 356 x 152	— —	— —	3.00 76	AW1614P	AW1614GP	14.87 x 12.87	378 x 327



**Notes:** Dimensions are in inches. Millimeters shown are for reference only. Data subject to change without notice.

# Type 4X Panel Enclosures

## JIC Enclosures Type 4X Continuous Hinge Cover Data Sheet



### Application

- Houses electrical controls and instruments
- Intended for indoor or outdoor use where a corrosive environment exists
- Protects against corrosion, windblown dust and rain, splashing water and hose directed water

### Standards

- UL 508A listed, Type 4, Type 4X, Type 12 and Type 13
- CSA C22.2 No.94 certified, Type 4, Type 4X, Type 12 and Type 13
- Conforms to NEMA standard for Type 4, Type 4X, Type 12 and Type 13

### Finish

- Cover and sides of body have a smooth #4 brushed finish

### Accessories

- Panels
- JIC terminal strap kit
- JIC terminal strip kit
- Terminal blocks
- See Accessories section

### Construction

- Enclosure and cover are fabricated from (16) gauge, Type 304 or Type 316L stainless steel
- All continuous welded seams are finished smooth
- Cover is secured to the body with a stainless steel continuous hinge and pin on one side and easy-to-operate stainless steel screw clamps mounted to the opposite side
- Cover has a seamless poured in-place gasket
- Ground stud provided on cover
- #10-32 weld nuts are provided for mounting optional panel
- External mounting feet are provided for secure wall mounting

### Discount Schedule: C2

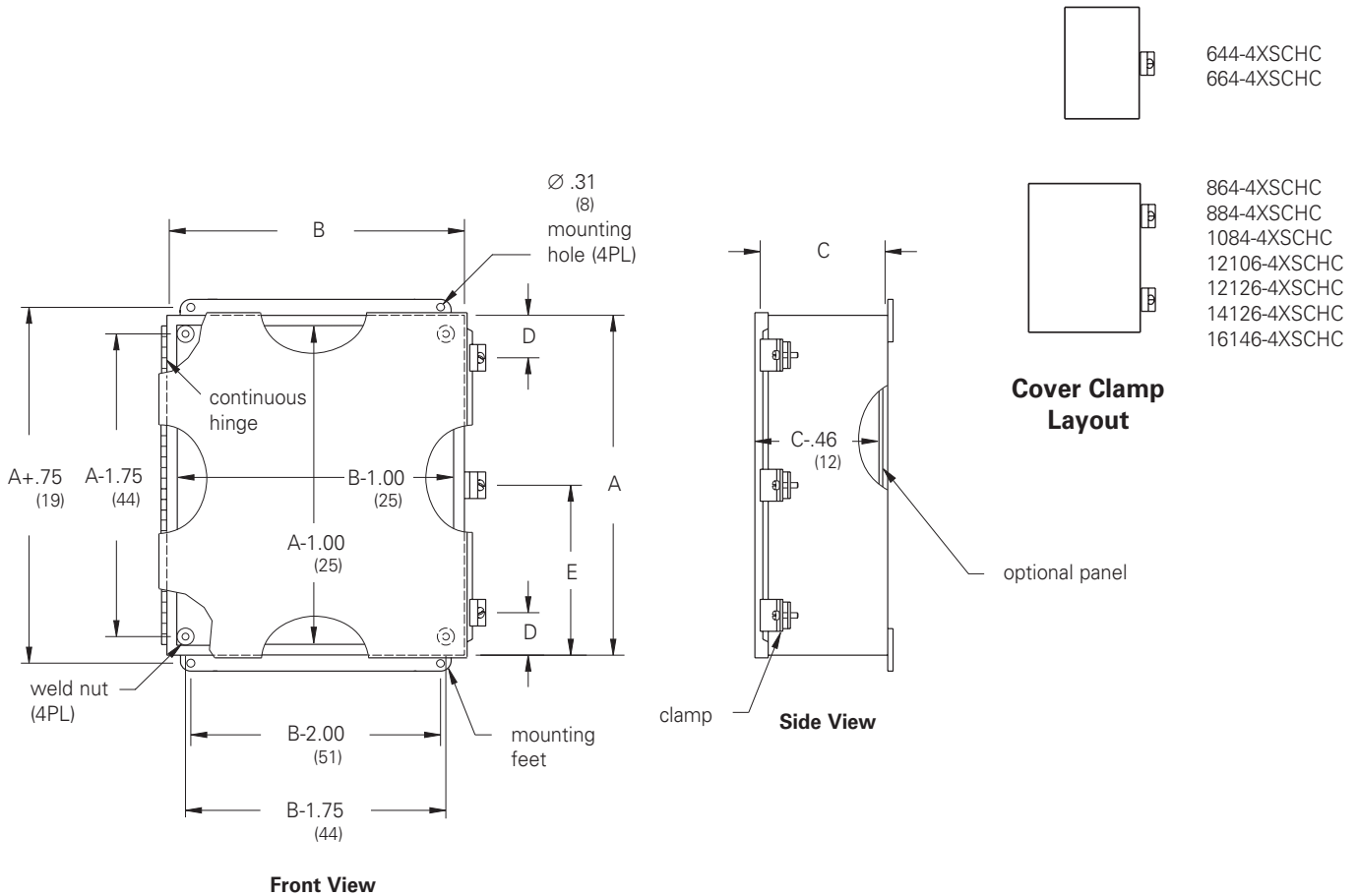
**Subclass: DD0 (Type 304)  
D10 (Type 316L)**

**Notes:** We can provide special sizes, finishes and other modifications. Consult the factory for your special requirements.

# Type 4X Panel Enclosures

## JIC Enclosures Type 4X Continuous Hinge Cover Illustration Sheet and Catalog Number

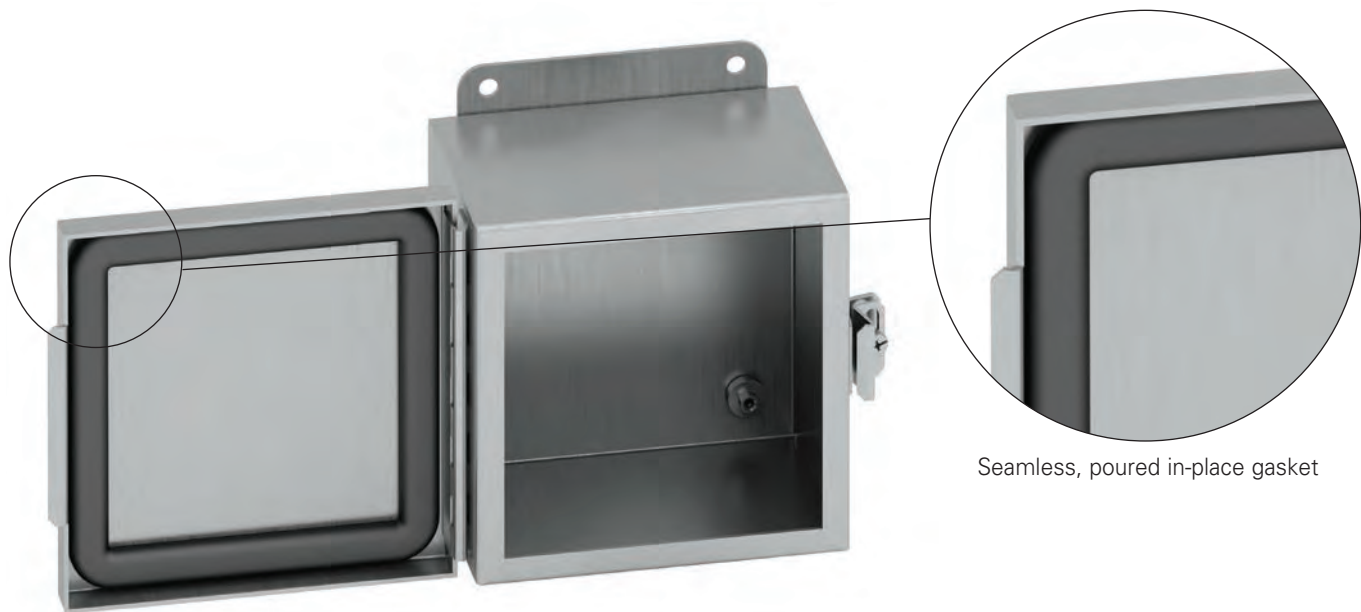
Enclosure Catalog Number Stainless Steel		Enclosure Size Height x Width x Depth A x B x C		D		E		Panel Catalog Number		Panel Size Height x Width	
Type 304	Type 316L	in.	mm	in.	mm	in.	mm	Steel	Conductive	in.	mm
644-4XSCHC	644-4XSS6CHC	6.00 x 4.00 x 4.00	152 x 102 x 102	—	—	3.00	76	AW64P	AW64GP	4.87 x 2.87	124 x 73
664-4XSCHC	664-4XSS6CHC	6.00 x 6.00 x 4.00	152 x 152 x 102	—	—	3.00	76	AW66P	AW66GP	4.87 x 4.87	124 x 124
864-4XSCHC	864-4XSS6CHC	8.00 x 6.00 x 4.00	203 x 152 x 102	2.00	51	—	—	AW86P	AW86GP	6.87 x 4.87	174 x 124
884-4XSCHC	884-4XSS6CHC	8.00 x 8.00 x 4.00	203 x 203 x 102	2.00	51	—	—	AW88P	AW88GP	6.87 x 6.87	174 x 174
1084-4XSCHC	1084-4XSS6CHC	10.00 x 8.00 x 4.00	254 x 203 x 102	2.00	51	—	—	AW108P	AW108GP	8.87 x 6.87	225 x 174
12106-4XSCHC	12106-4XSS6CHC	12.00 x 10.00 x 6.00	305 x 254 x 152	3.00	76	—	—	AW1210P	AW1210GP	10.87 x 8.87	276 x 225
12126-4XSCHC	12126-4XSS6CHC	12.00 x 12.00 x 6.00	305 x 305 x 152	3.00	76	—	—	AW1212P	AW1212GP	10.87 x 10.87	276 x 276
14126-4XSCHC	14126-4XSS6CHC	14.00 x 12.00 x 6.00	356 x 305 x 152	3.00	76	—	—	AW1412P	AW1412GP	12.87 x 10.87	327 x 276
16146-4XSCHC	16146-4XSS6CHC	16.00 x 14.00 x 6.00	406 x 356 x 152	3.00	76	—	—	AW1614P	AW1614GP	14.87 x 12.87	376 x 327



**Notes:** Dimensions are in inches. Millimeters shown are for reference only. Data subject to change without notice.

# Type 4X Panel Enclosures

## JIC Enclosures Type 4X Continuous Hinge Cover, Aluminum Data Sheet



### Application

- Houses electrical controls and instruments
- Intended for indoor or outdoor use where a corrosive environment exists
- Protects against corrosion, windblown dust and rain, splashing water and hose directed water

### Standards

- UL 508A listed, Type 4, Type 4X, Type 12 and Type 13
- CSA C22.2 No.94 certified, Type 4, Type 4X, Type 12 and Type 13
- Conforms to NEMA standard for Type 4, Type 4X, Type 12 and Type 13

### Finish

- Cover and sides of body have a smooth #4 brushed finish

### Accessories

- Panels
- JIC terminal strap kit
- JIC terminal strip kit
- Terminal blocks
- See Accessories section

### Construction

- Enclosure and cover are fabricated from (14) gauge, Type 5052-H32 aluminum
- All continuous welded seams are finished smooth
- Cover is secured to the body with an aluminum continuous hinge and pin on one side and easy-to-operate stainless steel screw clamps mounted to the opposite side
- Cover has a seamless poured in-place gasket
- #10-32 weld nuts are provided for mounting optional panel
- External mounting feet are provided for secure wall mounting

### Discount Schedule: C2

### Subclass: DDA

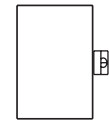
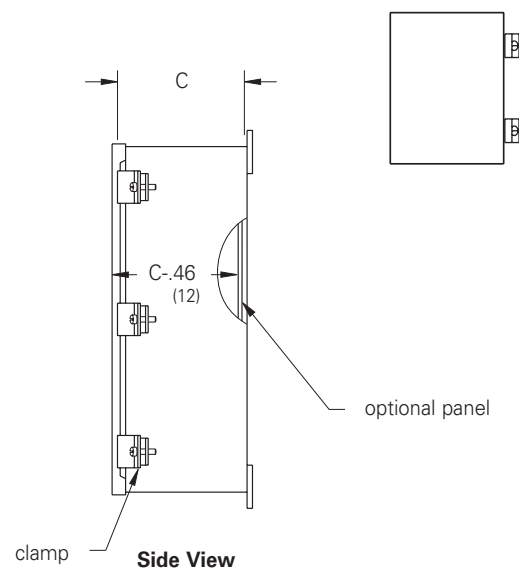
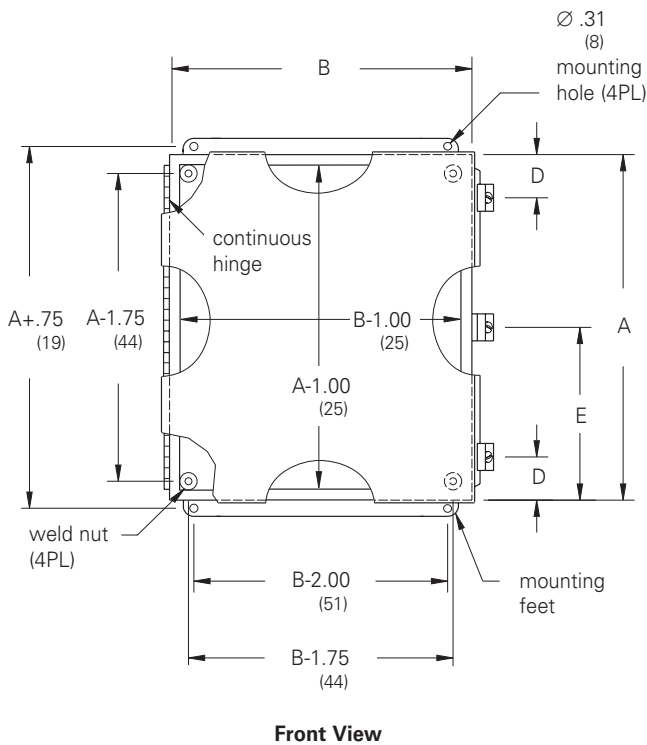
**Notes:** We can provide special sizes, finishes and other modifications. Consult the factory for your special requirements.



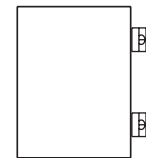
# Type 4X Panel Enclosures

## JIC Enclosures Type 4X Continuous Hinge Cover, Aluminum Illustration Sheet and Catalog Number

Enclosure Catalog Number	Enclosure Size Height x Width x Depth A x B x C		D		E		Panel Catalog Number		Panel Size Height x Width	
	in.	mm	in.	mm	in.	mm	Steel	Conductive	in.	mm
644-4XACHC	6.00 x 4.00 x 4.00	152 x 102 x 102	—	—	3.00	76	AW64P	AW64GP	4.87 x 2.87	124 x 73
664-4XACHC	6.00 x 6.00 x 4.00	152 x 152 x 102	—	—	3.00	76	AW66P	AW66GP	4.87 x 4.87	124 x 124
864-4XACHC	8.00 x 6.00 x 4.00	203 x 152 x 102	2.00	51	—	—	AW86P	AW86GP	6.87 x 4.87	174 x 124
1084-4XACHC	10.00 x 8.00 x 4.00	254 x 203 x 102	2.00	51	—	—	AW108P	AW108GP	8.87 x 6.87	225 x 174
12106-4XACHC	12.00 x 10.00 x 6.00	305 x 254 x 152	3.00	76	—	—	AW1210P	AW1210GP	10.87 x 8.87	276 x 225
12126-4XACHC	12.00 x 12.00 x 6.00	305 x 305 x 152	3.00	76	—	—	AW1212P	AW1212GP	10.87 x 10.87	276 x 276
14126-4XACHC	14.00 x 12.00 x 6.00	356 x 305 x 152	3.00	76	—	—	AW1412P	AW1412GP	12.87 x 10.87	327 x 276
16146-4XACHC	16.00 x 14.00 x 6.00	406 x 356 x 152	3.00	76	—	—	AW1614P	AW1614GP	14.87 x 12.87	378 x 327



644-4XACHC  
664-4XACHC



864-4XACHC  
1084-4XACHC  
12106-4XACHC  
12126-4XACHC  
14126-4XACHC  
16146-4XACHC

Type 4X Panel Enclosures

**Notes:** Dimensions are in inches. Millimeters shown are for reference only. Data subject to change without notice.

# Type 4X Panel Enclosures

## JIC Enclosures

### Type 4X Continuous Hinge Cover with Quarter-Turn Latches

#### Data Sheet



#### Application

- Houses electrical controls and instruments
- Intended for indoor or outdoor use where a corrosive environment exists
- Protects against windblown dust and rain, splashing water and hose directed water

#### Standards

- UL 508A Listed, Type 3R, Type 4, Type 4X, Type 12
- CSA C22.2 No.94 certified, Type 3R, Type 4, Type 4X, Type 12
- Conforms to NEMA Standards for Type 3, Type 3R, Type 4, Type 4X, Type 12

#### Finish

- Cover and sides of body have a smooth #4 brushed finish

#### Accessories

- Panels
- Swing-out panel kits
- JIC terminal kits
- Window kits
- Locks and latches

#### Construction

- Enclosure and cover are fabricated from (16) gauge stainless steel
- All continuous welded seams are finished smooth
- Stainless steel continuous hinge and pin
- Slotted quarter-turn flush latch(es)
- Cover has a seamless poured in-place gasket
- Ground stud provided on cover
- #10-32 weld nuts are provided for mounting optional panel
- External mounting feet

#### Discount Schedule: C2

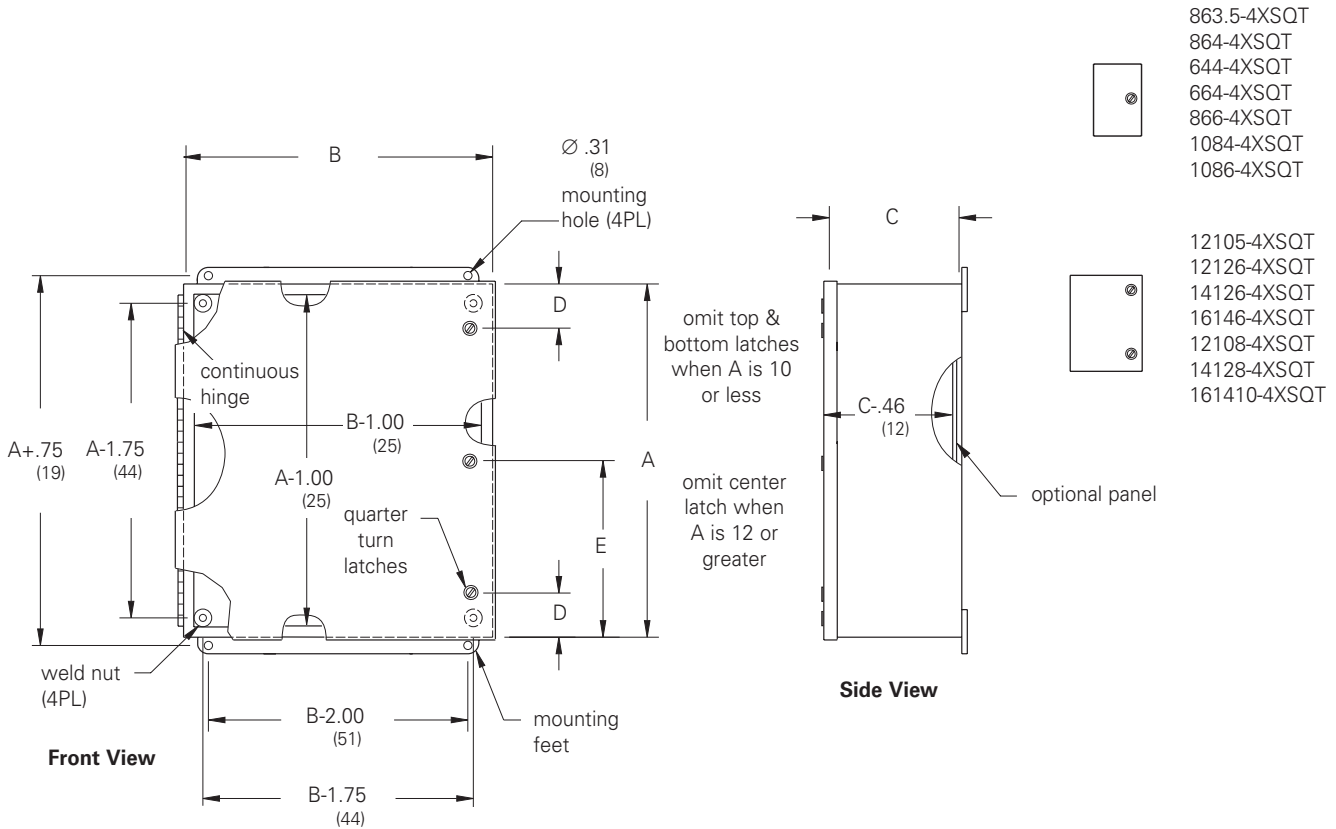
#### Subclass: DDO

**Notes:** We can provide special sizes, finishes and other modifications. Consult the factory for your special requirements.

# Type 4X Panel Enclosures

## JIC Enclosures Type 4X Continuous Hinge Cover with Quarter-Turn Latches Illustration Sheet and Catalog Number

Enclosure Catalog Number	Enclosure Size Height x Width x Depth A x B x C		D		E		Panel Catalog Number		Panel Size Height x Width	
	in.	mm	in.	mm	in.	mm	Steel	Conductive	in.	mm
644-4XSQT	6.00 x 4.00 x 4.00	152 x 102 x 102	—	—	3.00	76	AW64P	AW64GP	4.87 x 2.87	124 x 73
664-4XSQT	6.00 x 6.00 x 4.00	152 x 152 x 102	—	—	3.00	76	AW66P	AW66GP	4.87 x 4.87	124 x 124
863.5-4XSQT	8.00 x 6.00 x 3.50	203 x 152 x 89	—	—	4.00	101	AW86P	AW86GP	6.87 x 4.87	174 x 124
864-4XSQT	8.00 x 6.00 x 4.00	203 x 152 x 102	—	—	4.00	101	AW86P	AW86GP	6.87 x 4.87	174 x 124
1084-4XSQT	10.00 x 8.00 x 4.00	254 x 203 x 102	—	—	5.00	127	AW108P	AW108GP	8.87 x 6.87	225 x 174
12105-4XSQT	12.00 x 10.00 x 5.00	305 x 254 x zzz	3.00	76	—	—	AW1210P	AW1210GP	10.87 x 8.87	276 x 225
866-4XSQT	8.00 x 6.00 x 6.00	203 x 152 x 152	—	—	4.00	101	AW86P	AW86GP	6.87 x 4.87	174 x 124
1086-4XSQT	10.00 x 8.00 x 6.00	254 x 203 x 152	—	—	5.00	127	AW108P	AW108GP	8.87 x 6.87	225 x 174
12126-4XSQT	12.00 x 12.00 x 6.00	305 x 305 x 152	3.00	76	—	—	AW1212P	AW1212GP	10.87 x 10.87	276 x 276
14126-4XSQT	14.00 x 12.00 x 6.00	355 x 305 x 152	3.00	76	—	—	AW1412P	AW1412GP	12.87 x 10.87	327 x 276
16146-4XSQT	16.00 x 14.00 x 6.00	406 x 355 x 152	3.00	76	—	—	AW1614P	AW1614GP	14.87 x 12.87	377 x 327
12108-4XSQT	12.00 x 10.00 x 8.00	305 x 254 x 203	3.00	76	—	—	AW1210P	AW1210GP	10.87 x 8.87	276 x 225
14128-4XSQT	14.00 x 12.00 x 8.00	355 x 305 x 203	3.00	76	—	—	AW1412P	AW1412GP	12.87 x 10.87	327 x 276
161410-4XSQT	16.00 x 14.00 x 10.00	406 x 355 x 254	3.00	76	—	—	AW1614P	AW1614GP	14.87 x 12.87	377 x 327



**Notes:** Dimensions are in inches. Millimeters shown are for reference only. Data subject to change without notice.

# Type 4X Panel Enclosures

## Wall-Mount Enclosures Type 4X Single-Door Data and Illustration Sheet



### Application

- Houses electrical controls and instruments
- Intended for indoor or outdoor use where a corrosive environment exists
- Protects against corrosion, windblown dust and rain, splashing water and hose directed water

### Standards

- UL 508A listed, Type 4, Type 4X, Type 12 and Type 13
- CSA C22.2 No.94 certified, Type 4, Type 4X, Type 12 and Type 13
- Conforms to NEMA standard for Type 4, Type 4X, Type 12 and Type 13

### Construction

- Enclosure and door are fabricated from (14) gauge, Type 304 or Type 316L stainless steel
- All continuous welded seams are finished smooth
- Doors are secured to the body with a heavy-duty, stainless steel continuous hinge and pin on one side and easy to release stainless steel door clamps mounted to the other three sides
- Each door has a padlock hasp with sealing hole provision
- Print pocket provided
- Door has a seamless poured in-place gasket
- Ground stud provided on door and body
- Formed lip around enclosure opening diverts liquids and contaminants
- .375-16 collar studs are provided for mounting optional panel
- External mounting feet are provided for secure wall mounting

### Finish

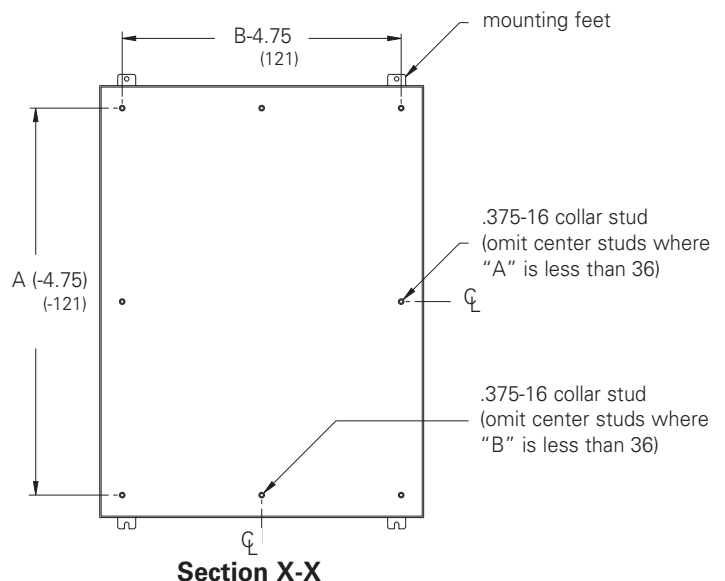
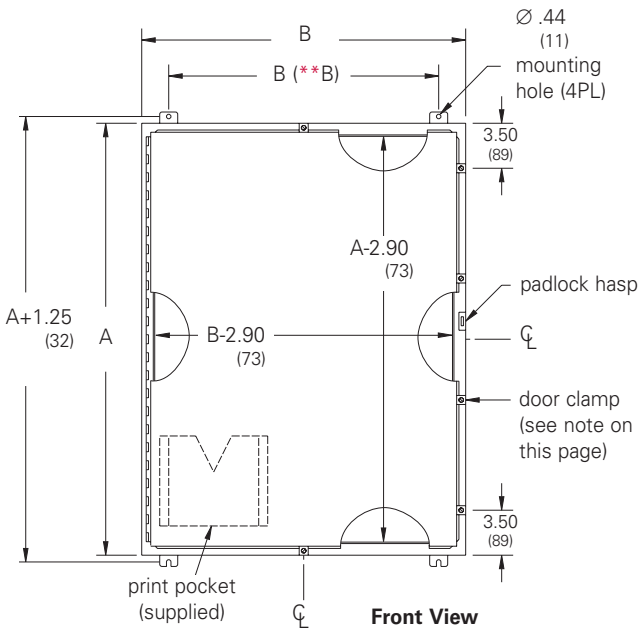
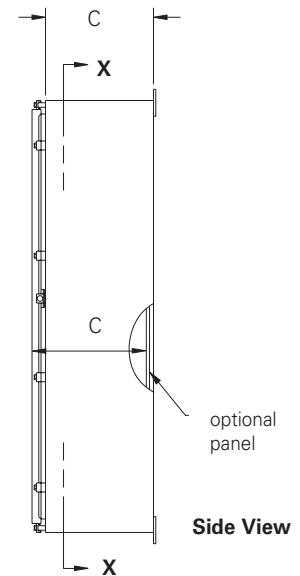
- Door and sides of body have a smooth #4 brushed finish

### Accessories

- Panels
- NEMA terminal strap kit
- Terminal blocks
- Floor stand kit
- See Accessories section

### Discount Schedule: C2

**Subclass: DG0 (Type 304)  
D00 (Type 316L)**



**Notes:** Dimensions: \*\*B = (-2.50) if 12 inches wide; (-6.00) if wider than 12 inches.

We can provide special sizes, finishes and other modifications. Consult the factory for your special requirements.

# Type 4X Panel Enclosures

## Wall-Mount Enclosures Type 4X Single-Door Catalog Number

Enclosure Catalog Number Stainless Steel		Enclosure Size Height x Width x Depth A x B x C		Panel Catalog Number		Panel Size Height x Width	
Type 304	Type 316L	in.	mm	Steel	Conductive	in.	mm
16126-4XS	16126-4XSS6	16.00 x 12.00 x 6.00	406 x 305 x 152	AW1612P	AW1612GP	13.00 x 9.00	330 x 229
16166-4XS	16166-4XSS6	16.00 x 16.00 x 6.00	406 x 406 x 152	AW1616P	AW1616GP	13.00 x 13.00	330 x 330
16206-4XS	16206-4XSS6	16.00 x 20.00 x 6.00	406 x 508 x 152	AW2016P	AW2016GP	17.00 x 13.00	432 x 330
20166-4XS	20166-4XSS6	20.00 x 16.00 x 6.00	208 x 406 x 152	AW2016P	AW2016GP	17.00 x 13.00	432 x 330
20206-4XS	20206-4XSS6	20.00 x 20.00 x 6.00	508 x 508 x 152	AW2020P	AW2020GP	17.00 x 17.00	432 x 432
24126-4XS	24126-4XSS6	24.00 x 12.00 x 6.00	610 x 305 x 152	AW2412P	—	21.00 x 9.00	533 x 229
24166-4XS	24166-4XSS6	24.00 x 16.00 x 6.00	610 x 406 x 152	AW2416P	AW2416GP	21.00 x 13.00	533 x 330
24206-4XS	24206-4XSS6	24.00 x 20.00 x 6.00	610 x 508 x 152	AW2420P	AW2420GP	20.87 x 16.87	530 x 428
24246-4XS	24246-4XSS6	24.00 x 24.00 x 6.00	610 x 610 x 152	AW2424P	AW2424GP	20.87 x 20.87	530 x 530
30246-4XS	30246-4XSS6	30.00 x 24.00 x 6.00	762 x 610 x 152	AW3024P	AW3024GP	26.87 x 20.87	682 x 530
36246-4XS	36246-4XSS6	36.00 x 24.00 x 6.00	914 x 610 x 152	AW3624P	AW3624GP	32.87 x 20.87	835 x 530
16128-4XS	16128-4XSS6	16.00 x 12.00 x 8.00	406 x 305 x 203	AW1612P	AW1612GP	13.00 x 9.00	330 x 229
20168-4XS	20168-4XSS6	20.00 x 16.00 x 8.00	508 x 406 x 203	AW2016P	AW2016GP	17.00 x 13.00	432 x 330
20208-4XS	20208-4XSS6	20.00 x 20.00 x 8.00	508 x 508 x 203	AW2020P	AW2020GP	17.00 x 17.00	432 x 432
20248-4XS	20248-4XSS6	20.00 x 24.00 x 8.00	508 x 610x203	AW2420P	AW2420GP	32.87 x 26.87	835 x 682
24168-4XS	24168-4XSS6	24.00 x 16.00 x 8.00	610 x 406 x 203	AW2416P	AW2416GP	21.00 x 13.00	533 x 330
24208-4XS	24208-4XSS6	24.00 x 20.00 x 8.00	610 x 508 x 203	AW2420P	AW2420GP	20.87 x 16.87	530 x 428
24248-4XS	24248-4XSS6	24.00 x 24.00 x 8.00	610 x 610 x 203	AW2424P	AW2424GP	20.87 x 20.87	530 x 530
24308-4XS	24308-4XSS6	24.00 x 30.00 x 8.00	610 x 762 x 203	AW3024P	AW3024GP	26.87 x 20.87	682 x 530
30208-4XS	30208-4XSS6	30.00 x 20.00 x 8.00	762 x 508 x 203	AW3020P	AW3020GP	26.87 x 16.87	682 x 428
30248-4XS	30248-4XSS6	30.00 x 24.00 x 8.00	762 x 610 x 203	AW3024P	AW3024GP	26.87 x 20.87	682 x 530
30308-4XS	30308-4XSS6	30.00 x 30.00 x 8.00	762 x 762 x 203	AW3030P	AW3030GP	26.87 x 26.87	682 x 682
36248-4XS	36248-4XSS6	36.00 x 24.00 x 8.00	914 x 610 x 203	AW3624P	AW3624GP	32.87 x 20.87	835 x 530
36308-4XS	36308-4XSS6	36.00 x 30.00 x 8.00	914 x 762 x 203	AW3630P	AW3630GP	32.87 x 26.87	835 x 682
42308-4XS	42308-4XSS6	42.00 x 30.00 x 8.00	1067 x 762 x 203	AW4230P	AW4230GP	38.87 x 26.87	987 x 682
42368-4XS	42368-4XSS6	42.00 x 36.00 x 8.00	1067 x 914 x 203	AW4236P	AW4236GP	38.87 x 32.87	987 x 835
48368-4XS	48368-4XSS6	48.00 x 36.00 x 8.00	1219 x 914 x 203	AW4836P	AW4836GP	44.87 x 32.87	1140 x 835
201610-4XS	201610-4XSS6	20.00 x 16.00 x 10.00	508 x 406 x 254	AW2016P	AW2016GP	17.00 x 13.00	432 x 330
242010-4XS	242010-4XSS6	24.00 x 20.00 x 10.00	610 x 508 x 254	AW2420P	AW2420GP	20.87 x 16.87	530 x 428
302410-4XS	302410-4XSS6	30.00 x 24.00 x 10.00	762 x 610 x 254	AW3024P	AW3024GP	26.87 x 20.87	682 x 530
362410-4XS	362410-4XSS6	36.00 x 24.00 x 10.00	914 x 610 x 254	AW3624P	AW3624GP	32.87 x 20.87	835 x 530
363010-4XS	363010-4XSS6	36.00 x 30.00 x 10.00	914 x 762 x 254	AW3630P	AW3630GP	32.87 x 26.87	835 x 682
423010-4XS	423010-4XSS6	42.00 x 30.00 x 10.00	1067 x 762 x 254	AW4230P	AW4230GP	38.87 x 26.87	987 x 682
483010-4XS	483010-4XSS6	48.00 x 30.00 x 10.00	1219 x 762 x 254	AW4830P	AW4830GP	44.87 x 26.87	1140 x 682
483610-4XS	483610-4XSS6	48.00 x 36.00 x 10.00	1219 x 914 x 254	AW4836P	AW4836GP	44.87 x 32.87	1140 x 835
603610-4XS	603610-4XSS6	60.00 x 36.00 x 10.00	1524 x 914 x 254	AW6036P	AW6036GP	56.87 x 32.87	1444 x 835
242412-4XS	242412-4XSS6	24.00 x 24.00 x 12.00	610 x 610 x 305	AW2424P	AW2424GP	20.87 x 20.87	530 x 530
302412-4XS	302412-4XSS6	30.00 x 24.00 x 12.00	762 x 610 x 305	AW3024P	AW3024GP	26.87 x 20.87	682 x 530
363012-4XS	363012-4XSS6	36.00 x 30.00 x 12.00	914 x 762 x 305	AW3630P	AW3630GP	32.87 x 26.87	835 x 682
363612-4XS	363612-4XSS6	36.00 x 36.00 x 12.00	914 x 914 x 305	AW3636P	—	32.87 x 32.87	835 x 835
483612-4XS	483612-4XSS6	48.00 x 36.00 x 12.00	1219 x 914 x 305	AW4836P	AW4836GP	44.87 x 32.87	1140 x 835
603612-4XS	603612-4XSS6	60.00 x 36.00 x 12.00	1524 x 914 x 305	AW6036P	AW6036GP	56.87 x 32.87	1444 x 835
302416-4XS	302416-4XSS6	30.00 x 24.00 x 16.00	762 x 610 x 406	AW3024P	AW3024GP	26.87 x 20.87	682 x 530
363016-4XS	363016-4XSS6	36.00 x 30.00 x 16.00	914 x 762 x 406	AW3630P	AW3630GP	32.87 x 26.87	835 x 682
483616-4XS	483616-4XSS6	48.00 x 36.00 x 16.00	1219 x 914 x 406	AW4836P	AW4836GP	44.87 x 32.87	1140 x 835
603616-4XS	603616-4XSS6	60.00 x 36.00 x 16.00	1524 x 914 x 406	AW6036P	AW6036GP	56.87 x 32.87	1444 x 835

**Notes:** Clamps are mounted along three sides of the enclosure door. Spacing between clamps along side opposite the hinge does not exceed 15 inches. Dimensions are in inches. Millimeters shown are for reference only. Data subject to change without notice.

# Type 4X Panel Enclosures

## Wall-Mount Enclosures Type 4X Single-Door, Aluminum Data Sheet and Catalog Number



### Application

- Houses electrical controls and instruments
- Intended for indoor or outdoor use where a corrosive environment exists
- Protects against corrosion, windblown dust and rain, splashing water and hose directed water

### Standards

- UL 508A listed, Type 4, Type 4X, Type 12 and Type 13
- CSA C22.2 No.94 certified, Type 4, Type 4X, Type 12 and Type 13
- Conforms to NEMA standard for Type 4, Type 4X, Type 12 and Type 13

### Finish

- Door and sides of body have a smooth #4 brushed finish

### Accessories

- Panels
- NEMA terminal strap kit
- Terminal blocks
- Floor stand kit
- See Accessories section

### Construction

- Enclosure and door are fabricated from (14) gauge, Type 5052-H32 aluminum
- All continuous welded seams are finished smooth
- Doors are secured to the body with a heavy-duty, aluminum continuous hinge and pin on one side and easy to operate stainless steel door clamps mounted to the other three sides
- Each door has a padlock hasp with sealing hole provision
- Print pocket provided
- Door has a seamless poured in-place gasket
- Formed lip around enclosure opening diverts liquids and contaminants
- .375-16 collar studs are provided for mounting optional panel
- External mounting feet are provided for secure wall mounting

### Discount Schedule: C2

### Subclass: DGA

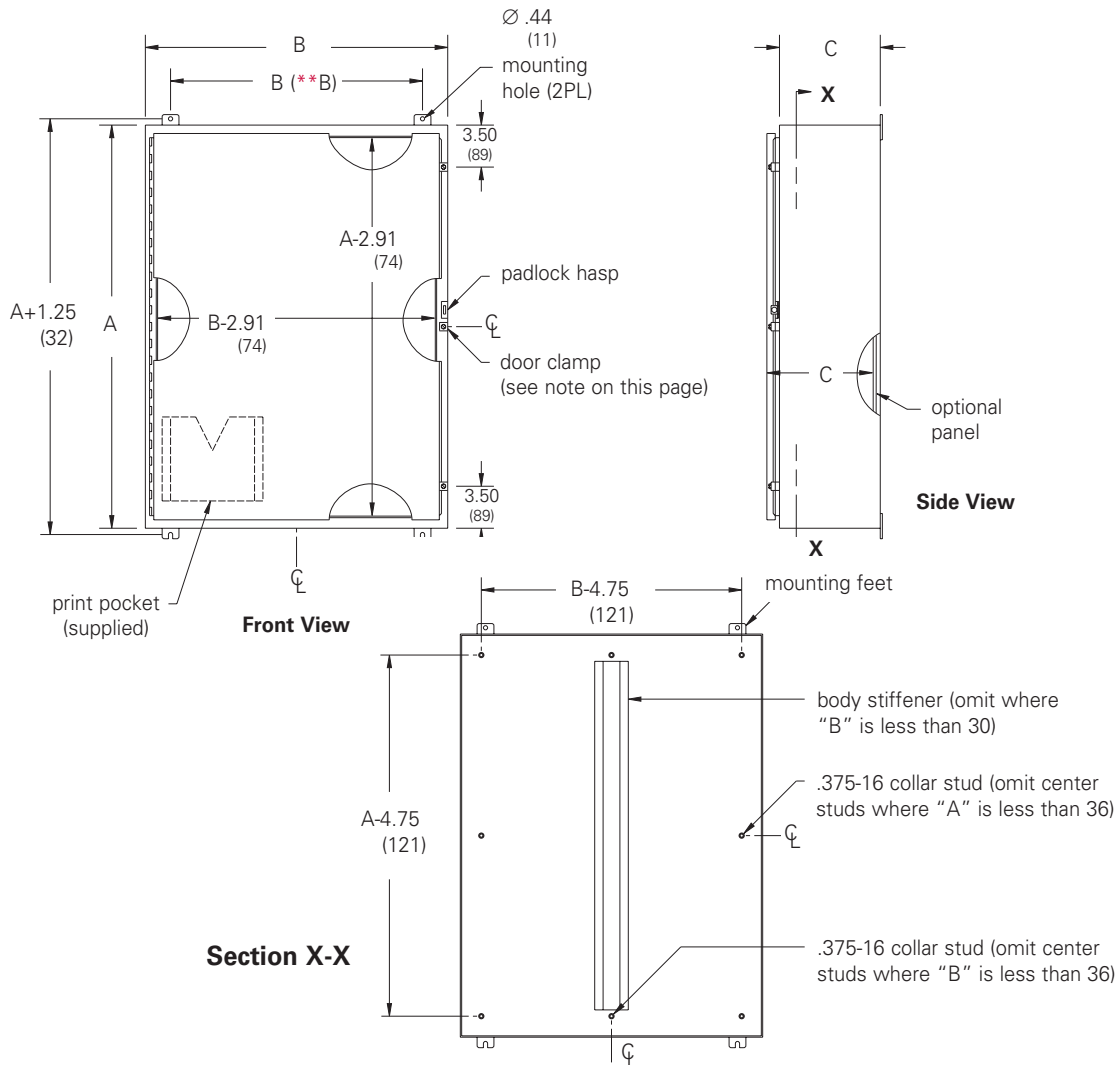
Enclosure Catalog Number	Enclosure Size Height x Width x Depth A x B x C		Panel Catalog Number		Panel Size Height x Width	
	in.	mm	Steel	Conductive	in.	mm
16126-4XA	16.00 x 12.00 x 6.00	406 x 305 x 152	AW1612P	AW1612GP	13.00 x 9.00	330 x 229
16166-4XA	16.00 x 16.00 x 6.00	406 x 406 x 152	AW1616P	AW1616GP	13.00 x 13.00	330 x 330
20166-4XA	20.00 x 16.00 x 6.00	508 x 406 x 152	AW2016P	AW2016GP	17.00 x 13.00	432 x 330
20206-4XA	20.00 x 20.00 x 6.00	508 x 508 x 152	AW2020P	AW2020GP	17.00 x 17.00	432 x 432
24206-4XA	24.00 x 20.00 x 6.00	610 x 508 x 152	AW2420P	AW2420GP	20.87 x 16.87	530 x 428
16128-4XA	16.00 x 12.00 x 8.00	406 x 305 x 203	AW1612P	AW1612GP	13.00 x 9.00	330 x 229
20168-4XA	20.00 x 16.00 x 8.00	508 x 406 x 203	AW2016P	AW2016GP	17.00 x 13.00	432 x 330
24168-4XA	24.00 x 16.00 x 8.00	610 x 406 x 203	AW2416P	AW2416GP	21.00 x 13.00	533 x 330
24208-4XA	24.00 x 20.00 x 8.00	610 x 508 x 203	AW2420P	AW2420GP	20.87 x 16.87	530 x 428
24248-4XA	24.00 x 24.00 x 8.00	610 x 610 x 203	AW2424P	AW2424GP	20.87 x 20.87	530 x 530
24308-4XA	24.00 x 30.00 x 8.00	610 x 762 x 203	AW3024P	AW3024GP	26.87 x 20.87	682 x 530
30208-4XA	30.00 x 20.00 x 8.00	762 x 508 x 203	AW3020P	AW3020GP	26.87 x 16.87	682 x 428
30248-4XA	30.00 x 24.00 x 8.00	762 x 610 x 203	AW3024P	AW3024GP	26.87 x 20.87	682 x 530
30308-4XA	30.00 x 30.00 x 8.00	762 x 762 x 203	AW3030P	AW3030GP	26.87 x 26.87	682 x 682
36248-4XA	36.00 x 24.00 x 8.00	914 x 610 x 203	AW3624P	AW3624GP	32.87 x 20.87	835 x 530
36308-4XA	36.00 x 30.00 x 8.00	914 x 762 x 203	AW3630P	AW3630GP	32.87 x 26.87	835 x 682
42368-4XA	42.00 x 36.00 x 8.00	1067 x 914 x 203	AW4236P	AW4236GP	38.87 x 32.87	987 x 835
48368-4XA	48.00 x 36.00 x 8.00	1219 x 914 x 203	AW4836P	AW4836GP	44.87 x 32.87	1140 x 835

**Notes:** We can provide special sizes, finishes and other modifications. Consult the factory for your special requirements.

# Type 4X Panel Enclosures

## Wall-Mount Enclosures Type 4X Single-Door, Aluminum Illustration Sheet and Catalog Number

Enclosure Catalog Number	Enclosure Size Height x Width x Depth A x B x C		Panel Catalog Number		Panel Size Height x Width	
	in.	mm	Steel	Conductive	in.	mm
201610-4XA	20.00 x 16.00 x 10.00	508 x 406 x 254	AW2016P	AW2016GP	17.00 x 13.00	432 x 330
242010-4XA	24.00 x 20.00 x 10.00	610 x 508 x 254	AW2420P	AW2420GP	20.87 x 16.87	530 x 428
362410-4XA	36.00 x 24.00 x 10.00	914 x 610 x 254	AW3624P	AW3624GP	32.87 x 20.87	835 x 530
363010-4XA	36.00 x 30.00 x 10.00	914 x 762 x 254	AW3630P	AW3630GP	32.87 x 26.87	835 x 682
423010-4XA	42.00 x 30.00 x 10.00	1067 x 762 x 254	AW4230P	AW4230GP	38.87 x 26.87	987 x 682
242412-4XA	24.00 x 24.00 x 12.00	610 x 610 x 305	AW2424P	AW2424GP	20.87 x 20.87	530 x 530
302412-4XA	30.00 x 24.00 x 12.00	762 x 610 x 305	AW3024P	AW3024GP	26.87 x 20.87	682 x 530
363012-4XA	36.00 x 30.00 x 12.00	914 x 762 x 305	AW3630P	AW3630GP	32.87 x 26.87	835 x 682
483612-4XA	48.00 x 36.00 x 12.00	1219 x 914 x 305	AW4836P	AW4836GP	44.87 x 32.87	1140 x 835
603612-4XA	60.00 x 36.00 x 12.00	1524 x 914 x 305	AW6036P	AW6036GP	56.87 x 32.87	1444 x 835
362416-4XA	36.00 x 24.00 x 16.00	914 x 610 x 406	AW3624P	AW3624GP	32.87 x 20.87	835 x 530
363016-4XA	36.00 x 30.00 x 16.00	914 x 762 x 406	AW3630P	AW3630GP	32.87 x 26.87	835 x 682
483616-4XA	48.00 x 36.00 x 16.00	1219 x 914 x 406	AW4836P	AW4836GP	44.87 x 32.87	1140 x 835



**Notes:** Dimensions: \*\*B = (-2.50) if 12 inches wide; (-6.00) if wider than 12 inches. Clamps are mounted along three sides of the enclosure door. Spacing between clamps along side opposite the hinge does not exceed 15 inches. Dimensions are in inches. Millimeters shown are for reference only. Data subject to change without notice.

# Type 4X Panel Enclosures

## Wall-Mount Enclosures Type 4X Premier™ Series with Quarter-Turn Latches Data Sheet



### Application

- Houses electrical controls and instruments
- Intended for indoor or outdoor use where a corrosive environment exists
- Protects against corrosion, circulating and windblown dust, falling dirt, dripping non-corrosive liquids, rain, splashing water and hose directed water

### Standards

- UL 508A Listed, Type 4X, Type 4 and Type 12
- cUL Listed, Type 4X, Type 4 and Type 12
- Conforms to NEMA standard for Type 4X, Type 4 and 12
- Wall-mounting brackets required to maintain UL/CSA external mounting requirements

### Finish

- Door and sides of body have a smooth #4 brushed finish

### Accessories

- Premier panels
- NEMA panel adapters
- Depth adjustment brackets
- Print pockets
- Padlockable or keyed handles
- Security latch inserts
- Mounting foot kits
- EIA/TIA rack mounting angles
- Swing-out panels
- See Premier Series Accessories pages, 212-217

### Construction

- Enclosure and door are fabricated from code gauge Type 304 or Type 316L stainless steel (see pages 209 & 210)
- All continuous welded seams are finished smooth
- Hardware kit provided contains grounding hardware, .312-18 flanged hex nuts for panel mounting, and sealing washers for body mounting holes

### Body Construction

- Body flange trough design is formed around body opening to divert liquid contaminants away from door opening
- Reduced width flange design increases enclosure opening
- Ground stud provided on enclosure body and door
- .312-18 collar studs are provided for mounting optional Premier panels
- Enclosure mounting holes in body provided for direct mounting or optional mounting feet

### Door Construction

- Doors are secured to the body with a concealed hinge design on one side and slotted quarter-turn flush latch(es) on the opposite side
- Doors are easily removed and interchangeable
- Door has a seamless poured in-place gasket
- Door opens 180° for easy access
- Window-door enclosures feature flush-mounted clear polycarbonate window

### Discount Schedule: C2

### Subclass: TE0

**Notes:** We can provide special sizes, finishes and other modifications. Consult the factory for your special requirements.



# Type 4X Panel Enclosures

## Wall-Mount Enclosures Type 4X Premier™ Series with Quarter-Turn Latches Catalog Number

Enclosure Catalog		Enclosure Number		Size	*	Panel Size		Mounting		Window Size		Latch	J		K	
Type 304 Stainless Steel		A x B x C		Door/	Panel	H x W		D x E		F x G		Qty.	in. mm		in. mm	
Solid Door	Window Door	in.	mm	Body Gauge	Catalog Number	in.	mm	in.	mm	in.	mm		in.	mm	in.	mm
1084-SDSS4	—	10 x 8 x 4	254 x 203 x 102	16/16	108P	8.00 x 6.00	203 x 152	8.50 x 6.37	216 x 162	—	—	1	—	—	5.00	127
1086-SDSS4	—	10 x 8 x 6	254 x 203 x 152	16/16	108P	8.00 x 6.00	203 x 152	8.50 x 6.37	216 x 162	—	—	1	—	—	5.00	127
12106-SDSS4	—	12 x 10 x 6	305 x 254 x 152	16/16	1210P	10.00 x 8.00	254 x 203	10.50 x 8.37	267 x 213	—	—	1	—	—	6.00	152
12126-SDSS4	12126-SDWSS4	12 x 12 x 6	305 x 305 x 152	16/16	1212P	10.00 x 10.00	254 x 254	10.50 x 10.37	267 x 264	8.25 x 7.00	210 x 178	1	—	—	6.00	152
16126-SDSS4	16126-SDWSS4	16 x 12 x 6	406 x 305 x 152	16/16	1612P	14.00 x 10.00	356 x 254	14.50 x 10.37	368 x 264	12.25 x 7.00	311 x 178	1	—	—	8.00	203
16166-SDSS4	—	16 x 16 x 6	406 x 406 x 152	16/16	1616P	14.00 x 14.00	356 x 356	14.50 x 14.37	368 x 365	—	—	1	—	—	8.00	203
20166-SDSS4	20166-SDWSS4	20 x 16 x 6	508 x 406 x 152	16/16	2016P	18.00 x 14.00	457 x 356	18.50 x 14.37	470 x 365	16.25 x 11.00	413 x 279	1	—	—	10.00	254
20206-SDSS4	20206-SDWSS4	20 x 20 x 6	508 x 508 x 152	16/16	2020P	18.00 x 18.00	457 x 457	18.50 x 18.37	470 x 467	16.25 x 15.00	413 x 381	1	—	—	10.00	254
16128-SDSS4	—	16 x 12 x 8	406 x 305 x 203	16/16	1612P	14.00 x 10.00	356 x 254	14.50 x 10.37	368 x 264	—	—	1	—	—	8.00	203
16168-SDSS4	—	16 x 16 x 8	406 x 406 x 203	16/16	1616P	14.00 x 14.00	356 x 356	14.50 x 14.37	368 x 365	—	—	1	—	—	8.00	203
16208-SDSS4	—	16 x 20 x 8	406 x 508 x 203	16/16	2016P	14.00 x 18.00	356 x 457	14.50 x 18.37	368 x 467	—	—	1	—	—	8.00	203
20168-SDSS4	20168-SDWSS4	20 x 16 x 8	508 x 406 x 203	16/16	2016P	18.00 x 14.00	457 x 356	18.50 x 14.37	470 x 365	16.25 x 11.00	413 x 279	1	—	—	10.00	254
20208-SDSS4	20208-SDWSS4	20 x 20 x 8	508 x 508 x 203	16/16	2020P	18.00 x 18.00	457 x 457	18.50 x 18.37	470 x 467	16.25 x 15.00	413 x 381	1	—	—	10.00	254
24168-SDSS4	—	24 x 16 x 8	610 x 406 x 203	16/16	2416P	22.00 x 14.00	559 x 356	22.50 x 14.37	572 x 365	—	—	1	—	—	12.00	305
24208-SDSS4	24208-SDWSS4	24 x 20 x 8	610 x 508 x 203	16/16	2420P	22.00 x 18.00	559 x 457	22.50 x 18.37	572 x 467	20.25 x 15.00	514 x 381	1	—	—	12.00	305
24248-SDSS4	24248-SDWSS4	24 x 24 x 8	610 x 610 x 203	14/16	2424P	22.00 x 22.00	559 x 559	22.50 x 22.37	572 x 568	20.25 x 17.62	514 x 448	2	5.00	127	—	—
30248-SDSS4	30248-SDWSS4	30 x 24 x 8	762 x 610 x 203	14/16	3024P	28.00 x 22.00	711 x 559	28.50 x 22.37	724 x 568	26.25 x 17.62	667 x 448	2	5.00	127	—	—
30308-SDSS4	—	30 x 30 x 8	762 x 762 x 203	14/14	3030P	28.00 x 28.00	711 x 711	28.50 x 28.37	724 x 721	—	—	2	5.00	127	—	—
36248-SDSS4	—	36 x 24 x 8	914 x 610 x 203	14/16	3624P	34.00 x 22.00	864 x 559	34.50 x 22.37	876 x 568	—	—	2	5.00	127	—	—
36308-SDSS4	—	36 x 30 x 8	914 x 762 x 203	14/14	3630P	34.00 x 28.00	864 x 711	34.50 x 28.37	876 x 721	—	—	2	5.00	127	—	—
36368-SDSS4	—	36 x 36 x 8	914 x 914 x 203	14/14	3636P	34.00 x 34.00	864 x 864	34.50 x 34.37	876 x 873	—	—	4	5.00	127	—	—
201610-SDSS4	—	20 x 16 x 10	508 x 406 x 254	14/14	2016P	18.00 x 14.00	457 x 356	18.50 x 14.37	470 x 365	—	—	1	—	—	10.00	254
302010-SDSS4	—	30 x 20 x 10	762 x 508 x 254	14/14	3020P	28.00 x 18.00	711 x 457	28.50 x 18.37	724 x 467	—	—	2	5.00	127	—	—
423010-SDSS4	—	42 x 30 x 10	1067 x 762 x 254	14/14	4230P	40.00 x 28.00	1016 x 711	40.50 x 28.37	1029 x 721	—	—	5	5.00	127	21.00	533
202012-SDSS4	202012-SDWSS4	20 x 20 x 12	508 x 508 x 305	14/14	2020P	18.00 x 18.00	457 x 457	18.50 x 18.37	470 x 467	16.25 x 15.00	413 x 381	1	—	—	10.00	254
242012-SDSS4	—	24 x 20 x 12	610 x 508 x 305	14/14	2420P	22.00 x 18.00	559 x 457	22.50 x 18.37	572 x 467	—	—	2	5.00	127	—	—
242412-SDSS4	—	24 x 24 x 12	610 x 610 x 305	14/14	2424P	22.00 x 22.00	559 x 559	22.50 x 22.37	572 x 568	—	—	2	5.00	127	—	—
302412-SDSS4	302412-SDWSS4	30 x 24 x 12	762 x 610 x 305	14/14	3024P	28.00 x 22.00	711 x 559	28.50 x 22.37	724 x 568	26.25 x 17.62	667 x 448	2	5.00	127	—	—
303012-SDSS4	—	30 x 30 x 12	762 x 762 x 305	14/14	3030P	28.00 x 28.00	711 x 711	28.50 x 28.37	724 x 724	—	—	2	5.00	127	—	—
362412-SDSS4	—	36 x 24 x 12	914 x 610 x 305	14/14	3624P	34.00 x 22.00	864 x 559	34.50 x 22.37	876 x 568	—	—	2	5.00	127	—	—
363012-SDSS4	—	36 x 30 x 12	914 x 762 x 305	14/14	3630P	34.00 x 28.00	864 x 711	34.50 x 28.37	876 x 721	—	—	2	5.00	127	—	—
363612-SDSS4	—	36 x 36 x 12	914 x 914 x 305	14/14	3636P	34.00 x 34.00	864 x 864	34.50 x 34.37	876 x 873	—	—	4	5.00	127	—	—
423612-SDSS4	—	42 x 36 x 12	1067 x 914 x 305	14/14	4236P	40.00 x 34.00	1016 x 864	40.50 x 34.37	1029 x 873	—	—	5	5.00	127	21.00	533
483612-SDSS4	—	48 x 36 x 12	1219 x 914 x 305	14/14	4836P	46.00 x 34.00	1168 x 864	46.50 x 34.37	1181 x 873	—	—	5	5.00	127	24.00	609
603612-SDSS4	—	60 x 36 x 12	1524 x 914 x 305	14/14	6036P	58.00 x 34.00	1473 x 864	58.50 x 34.37	1486 x 873	—	—	5	5.00	127	30.00	762
242416-SDSS4	—	24 x 24 x 16	610 x 610 x 406	14/14	2424P	22.00 x 22.00	559 x 559	22.50 x 22.37	572 x 568	—	—	2	5.00	127	—	—
302416-SDSS4	—	30 x 24 x 16	762 x 610 x 406	14/14	3024P	28.00 x 22.00	711 x 559	28.50 x 22.37	724 x 568	—	—	2	5.00	127	—	—
423616-SDSS4	—	42 x 36 x 16	1067 x 914 x 406	14/14	4236P	40.00 x 34.00	1016 x 864	40.50 x 34.37	1029 x 873	—	—	5	5.00	127	21.00	533
483616-SDSS4	—	48 x 36 x 16	1219 x 914 x 406	14/14	4836P	46.00 x 34.00	1168 x 864	46.50 x 34.37	1181 x 873	—	—	5	5.00	127	24.00	609
603616-SDSS4	—	60 x 36 x 16	1524 x 914 x 406	14/14	6036P	58.00 x 34.00	1473 x 864	58.50 x 34.37	1486 x 873	—	—	5	5.00	127	30.00	762

See dimensional drawings on page 211.

\* See page 212 for other panel information.

**Notes:** Dimensions are in inches. Millimeters shown are for reference only. Data subject to change without notice.

# Type 4X Panel Enclosures

## Wall-Mount Enclosures Type 4X Premier™ Series with Quarter-Turn Latches Catalog Number

Enclosure Catalog Number Type 316L Stainless Steel Solid Door	Enclosure Size A x B x C		Stainless Steel Door/ Body Gauge	Stainless Steel Panel Catalog Number	Steel Panel* Catalog Number	Panel Size H x W		Mounting D x E		Latch Qty	J		K	
											in.	mm	in.	mm
	in.	mm				in.	mm	in.	mm		in.	mm	in.	mm
1084-SDSS6	10 x 8 x 4	254 x 203 x 102	16/16	108P	108PSS4	8.00 x 6.00	203 x 152	8.50 x 6.37	216 x 162	1	—	—	5.00	127
1086-SDSS6	10 x 8 x 6	254 x 203 x 152	16/16	108P	108PSS4	8.00 x 6.00	203 x 152	8.50 x 6.37	216 x 162	1	—	—	5.00	127
12106-SDSS6	12 x 10 x 6	305 x 254 x 152	16/16	1210P	1210PSS4	10.00 x 8.00	254 x 203	10.50 x 8.37	267 x 213	1	—	—	6.00	152
12126-SDSS6	12 x 12 x 6	305 x 305 x 152	16/16	1212P	1212PSS4	10.00 x 10.00	254 x 254	10.50 x 10.37	267 x 264	1	—	—	6.00	152
16126-SDSS6	16 x 12 x 6	406 x 305 x 152	16/16	1612P	1612PSS4	14.00 x 10.00	356 x 254	14.50 x 10.37	368 x 264	1	—	—	8.00	203
16166-SDSS6	16 x 16 x 6	406 x 406 x 152	16/16	1616P	1616PSS4	14.00 x 14.00	356 x 356	14.50 x 14.37	368 x 365	1	—	—	8.00	203
20166-SDSS6	20 x 16 x 6	508 x 406 x 152	16/16	2016P	2016PSS4	18.00 x 14.00	457 x 356	18.50 x 14.37	470 x 365	1	—	—	10.00	254
20206-SDSS6	20 x 20 x 6	508 x 508 x 152	16/16	2020P	2020PSS4	18.00 x 18.00	457 x 457	18.50 x 18.37	470 x 467	1	—	—	10.00	254
16128-SDSS6	16 x 12 x 8	406 x 305 x 203	16/16	1612P	1612PSS4	14.00 x 10.00	356 x 254	14.50 x 10.37	368 x 264	1	—	—	8.00	203
16168-SDSS6	16 x 16 x 8	406 x 406 x 203	16/16	1616P	1616PSS4	14.00 x 14.00	356 x 356	14.50 x 14.37	368 x 365	1	—	—	8.00	203
16208-SDSS6	16 x 20 x 8	406 x 508 x 203	16/16	2016P	2016PSS4	14.00 x 18.00	356 x 457	14.50 x 18.37	368 x 467	1	—	—	8.00	203
20168-SDSS6	20 x 16 x 8	508 x 406 x 203	16/16	2016P	2016PSS4	18.00 x 14.00	457 x 356	18.50 x 14.37	470 x 365	1	—	—	10.00	254
20208-SDSS6	20 x 20 x 8	508 x 508 x 203	16/16	2020P	2020PSS4	18.00 x 18.00	457 x 457	18.50 x 18.37	470 x 467	1	—	—	10.00	254
24168-SDSS6	24 x 16 x 8	610 x 406 x 203	16/16	2416P	2416PSS4	22.00 x 14.00	559 x 356	22.50 x 14.37	572 x 365	1	—	—	12.00	305
24208-SDSS6	24 x 20 x 8	610 x 508 x 203	16/16	2420P	2420PSS4	22.00 x 18.00	559 x 457	22.50 x 18.37	572 x 467	1	—	—	12.00	305
24248-SDSS6	24 x 24 x 8	610 x 610 x 203	14/16	2424P	2424PSS4	22.00 x 22.00	559 x 559	22.50 x 22.37	572 x 568	2	5.00	127	—	—
30248-SDSS6	30 x 24 x 8	762 x 610 x 203	14/16	3024P	3024PSS4	28.00 x 22.00	711 x 559	28.50 x 22.37	724 x 568	2	5.00	127	—	—
30308-SDSS6	30 x 30 x 8	762 x 762 x 203	14/14	3030P	3030PSS4	28.00 x 28.00	711 x 711	28.50 x 28.37	724 x 721	2	5.00	127	—	—
36248-SDSS6	36 x 24 x 8	914 x 610 x 203	14/16	3624P	3624PSS4	34.00 x 22.00	864 x 559	34.50 x 22.37	876 x 568	2	5.00	127	—	—
36308-SDSS6	36 x 30 x 8	914 x 762 x 203	14/14	3630P	3630PSS4	34.00 x 28.00	864 x 711	34.50 x 28.37	876 x 721	2	5.00	127	—	—
36368-SDSS6	36 x 36 x 8	914 x 914 x 203	14/14	3636P	3636PSS4	34.00 x 34.00	864 x 864	34.50 x 34.37	876 x 873	4	5.00	127	18.00	457
201610-SDSS6	20 x 16 x 10	508 x 406 x 254	14/14	2016P	2016PSS4	18.00 x 14.00	457 x 356	18.50 x 14.37	470 x 365	1	—	—	10.00	254
302010-SDSS6	30 x 20 x 10	762 x 508 x 254	14/14	3020P	3020PSS4	28.00 x 18.00	711 x 457	28.50 x 18.37	724 x 467	2	5.00	127	—	—
423010-SDSS6	42 x 30 x 10	1067 x 762 x 254	14/14	4230P	4230PSS4	40.00 x 28.00	1016 x 711	40.50 x 28.37	1029 x 721	5	5.00	127	21.00	533
202012-SDSS6	20 x 20 x 12	508 x 508 x 305	14/14	2020P	2020PSS4	18.00 x 18.00	457 x 457	18.50 x 18.37	470 x 467	1	—	—	10.00	254
242012-SDSS6	24 x 20 x 12	610 x 508 x 305	14/14	2420P	2420PSS4	22.00 x 18.00	559 x 457	22.50 x 18.37	572 x 467	2	5.00	127	—	—
242412-SDSS6	24 x 24 x 12	610 x 610 x 305	14/14	2424P	2424PSS4	22.00 x 22.00	559 x 559	22.50 x 22.37	572 x 568	2	5.00	127	—	—
302412-SDSS6	30 x 24 x 12	762 x 610 x 305	14/14	3024P	3024PSS4	28.00 x 22.00	711 x 559	28.50 x 22.37	724 x 568	2	5.00	127	—	—
362412-SDSS6	36 x 24 x 12	914 x 610 x 305	14/14	3624P	3624PSS4	34.00 x 22.00	864 x 559	34.50 x 22.37	876 x 568	2	5.00	127	—	—
303012-SDSS6	30 x 30 x 12	762 x 762 x 305	14/14	3030P	3030PSS4	28.00 x 28.00	711 x 711	28.50 x 28.37	724 x 724	2	5.00	127	—	—
363012-SDSS6	36 x 30 x 12	914 x 762 x 305	14/14	3630P	3630PSS4	34.00 x 28.00	864 x 711	34.50 x 28.37	876 x 721	2	5.00	127	—	—
363612-SDSS6	36 x 36 x 12	914 x 914 x 305	14/14	3636P	3636PSS4	34.00 x 34.00	864 x 864	34.50 x 34.37	876 x 873	4	5.00	127	18.00	457
423612-SDSS6	42 x 36 x 12	1067 x 914 x 305	14/14	4236P	4236PSS4	40.00 x 34.00	1016 x 864	40.50 x 34.37	1029 x 873	5	5.00	127	21.00	533
483612-SDSS6	48 x 36 x 12	1219 x 914 x 305	14/14	4836P	4836PSS4	46.00 x 34.00	1168 x 559	46.50 x 34.37	1181 x 873	5	5.00	127	24.00	609
603612-SDSS6	60 x 36 x 12	1524 x 914 x 305	14/14	6036P	6036PSS4	58.00 x 34.00	1473 x 559	58.50 x 34.37	1486 x 873	5	5.00	127	30.00	762
242416-SDSS6	24 x 24 x 16	610 x 610 x 406	14/14	2424P	2424PSS4	22.00 x 22.00	559 x 559	22.50 x 22.37	572 x 568	2	5.00	127	—	—
302416-SDSS6	30 x 24 x 16	762 x 610 x 406	14/14	3024P	3024PSS4	28.00 x 22.00	711 x 559	28.50 x 22.37	724 x 568	2	5.00	127	—	—
423616-SDSS6	42 x 36 x 16	1067 x 914 x 406	14/14	4236P	4236PSS4	40.00 x 34.00	1016 x 864	40.50 x 34.37	1029 x 873	5	5.00	127	21.00	533
483616-SDSS6	48 x 36 x 16	1219 x 914 x 406	14/14	4836P	4836PSS4	46.00 x 34.00	1168 x 864	46.50 x 34.37	1181 x 873	5	5.00	127	24.00	609
603616-SDSS6	60 x 36 x 16	1524 x 914 x 406	14/14	6036P	6036PSS4	58.00 x 34.00	1473 x 864	58.50 x 34.37	1486 x 873	5	5.00	127	30.00	762

See dimensional drawings on page 211.

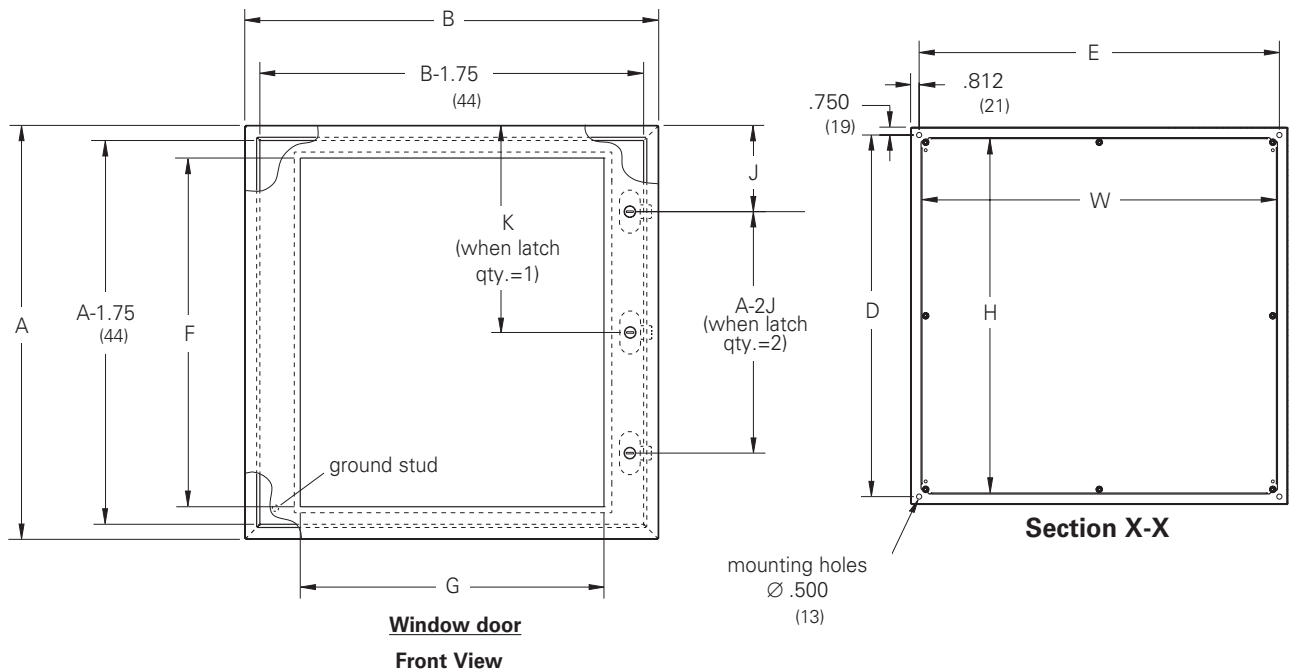
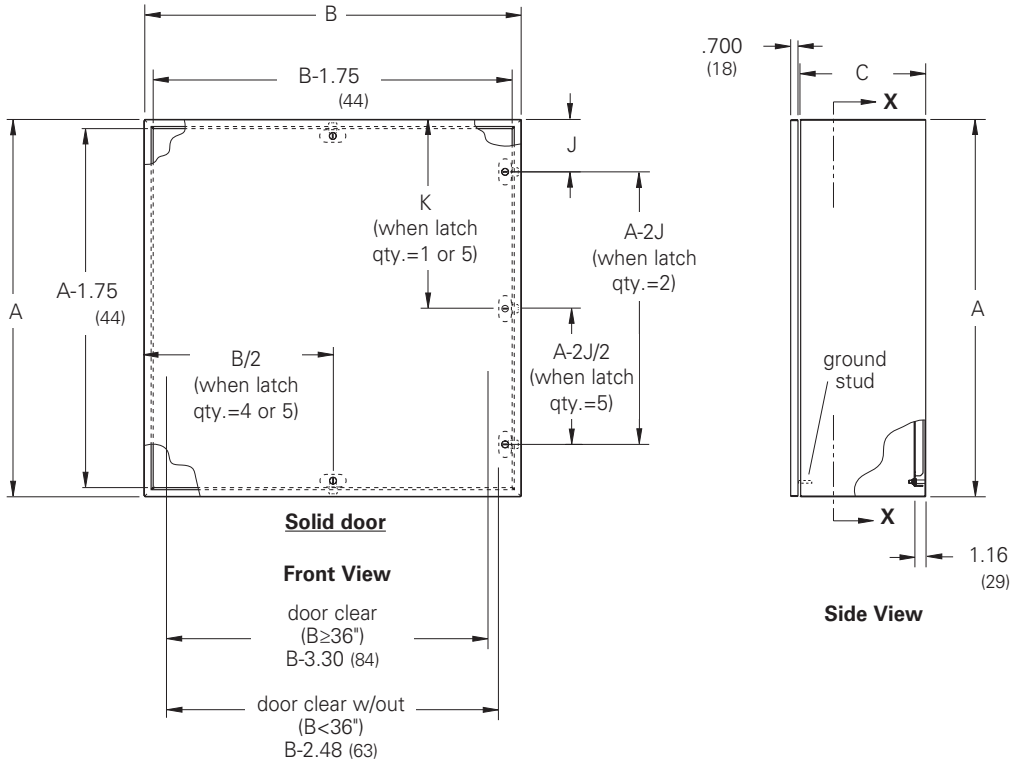
\* See page 212 for other panel information.

**Notes:** Dimensions are in inches. Millimeters shown are for reference only. Data subject to change without notice.

# Type 4X Panel Enclosures

## Wall-Mount Enclosures Type 4X Premier™ Series, Stainless Steel With Quarter-Turn Latches Illustration Sheet

See pages 207 & 208 for dimensions.



Type 4X Panel Enclosures

**Notes:** Dimensions are in inches. Millimeters shown are for reference only. Data subject to change without notice.

# Type 4X Panel Enclosures

## Premier™ Series Accessories

Discount Schedule: C2

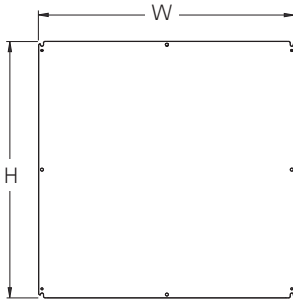
Subclass: see below

### Panels - Subclass: TDP

Premier panels can be installed in any Premier series enclosure and are up to 20% larger than standard NEMA panels. Panels above 24" are flanged.

Steel panels have a white polyester powder paint finish.

Stainless Steel and conductive galvanized sizes are available as shown in chart.



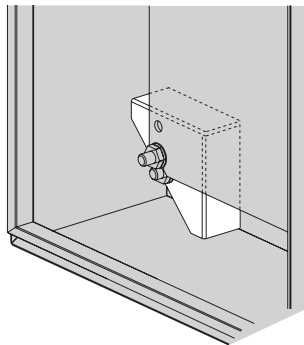
Catalog Number			Panel Size H x W		Gauge
Conductive	Steel	Stainless	in.	mm	
108GP	108P	108PSS4	8.00 x 6.00	203 x 152	14
1210GP	1210P	1210PSS4	10.00 x 8.00	254 x 203	14
1212GP	1212P	1212PSS4	10.00 x 10.00	254 x 254	14
1612GP	1612P	1612PSS4	14.00 x 10.00	356 x 254	14
1616GP	1616P	1616PSS4	14.00 x 14.00	356 x 356	12
2016GP	2016P	2016PSS4	18.00 x 14.00	457 x 356	12
2020GP	2020P	2020PSS4	18.00 x 18.00	457 x 457	12
2416GP	2416P	2416PSS4	22.00 x 14.00	559 x 356	12
2420GP	2420P	2420PSS4	22.00 x 18.00	559 x 457	12
2424GP	2424P	2424PSS4	22.00 x 22.00	559 x 559	12
2442GP	2442P	2442PSS4	22.00 x 40.00	559 x 1016	12
3020GP	3020P	3020PSS4	28.00 x 18.00	711 x 457	12
3024GP	3024P	3024PSS4	28.00 x 22.00	711 x 559	12
3030GP	3030P	3030PSS4	28.00 x 28.00	711 x 711	12
3048GP	3048P	3048PSS4	28.00 x 46.00	711 x 1168	12
3060GP	3060P	3060PSS4	28.00 x 58.00	711 x 1473	12
3624GP	3624P	3624PSS4	34.00 x 22.00	864 x 559	12
3630GP	3630P	3630PSS4	34.00 x 28.00	864 x 711	12
3636GP	3636P	3636PSS4	34.00 x 34.00	864 x 864	12
4230GP	4230P	4230PSS4	40.00 x 28.00	1016 x 711	12
4236GP	4236P	4236PSS4	40.00 x 34.00	1016 x 864	12
4824GP	4824P	4824PSS4	46.00 x 22.00	1168 x 559	12
4836GP	4836P	4836PSS4	46.00 x 34.00	1168 x 864	12
6036GP	6036P	6036PSS4	58.00 x 34.00	1473 x 864	12

### NEMA Panel Adapters - Subclass: TD0

NEMA panel adapters allow standard NEMA panels to be used in Premier series enclosures. Decreased height and width of NEMA panels increase space around panel for wire management. Kit includes four adapters and four .375-16 flanged hex nuts.

Finish: Zinc Plated

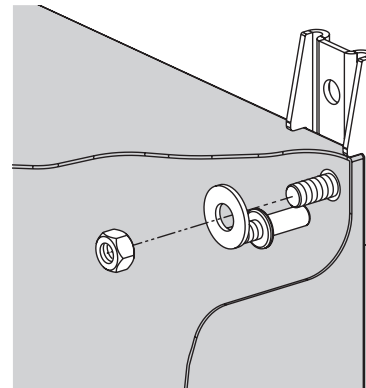
(Note: Cannot be used with enclosures 12" x 12" (305 mm x 305 mm) or smaller)



Catalog Number	Qty.	For use with Premier Enclosures
PCK4	4	30" x 30" or smaller

### Mounting Foot Kits - Subclass: TD0

Mounting foot kits are available in stainless steel. Four feet and hardware are included.



Catalog Number	Qty.	Description
WMKSS6	4	Type 316 Stainless Steel

Notes: Dimensions are in inches. Millimeters shown are for reference only. Data subject to change without notice.

# Type 4X Panel Enclosures

## Premier™ Series Accessories

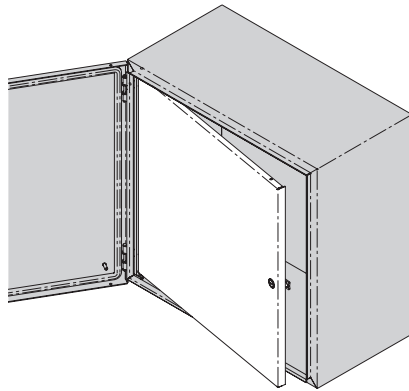
Discount Schedule: C2

Subclass: TD0

### Swing-Out Panels

Swing-out panels offer a means for mounting user components and equipment near the front of an enclosure opening. Panel pivots from front of enclosure to allow easy access to internal equipment. Swing-out panels are 14 gauge with a white polyester powder finish and includes all hardware for mounting to front flange of enclosure.

**(Note:** Cannot be used in conjunction with depth adjustment brackets).



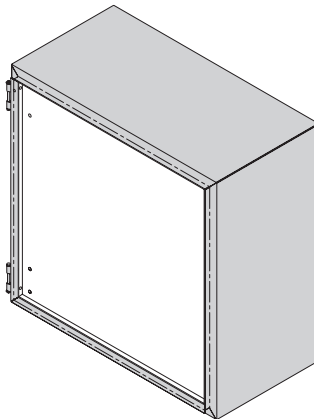
Note: Swing-out panel distance from panel face to inside of enclosure cover equals 1 1/4".

Catalog Number	Panel Size		For use with Premier Enclosures A x B
	Height	Width	
1212SP	9.78 x 9.84	248 x 250	12"x12"
1612SP	13.78 x 9.84	350 x 250	16"x12"
1616SP	13.78 x 13.84	350 x 352	16"x16"
1620SP	13.78 x 17.84	350 x 453	16"x20"
2016SP	17.78 x 13.84	452 x 352	20"x16"
2020SP	17.78 x 17.84	452 x 453	20"x20"
2024SP	17.78 x 21.84	452 x 555	20"x24"
2416SP	21.78 x 13.84	553 x 352	24"x16"
2420SP	21.78 x 17.84	553 x 453	24"x20"
2424SP	21.78 x 21.84	553 x 555	24"x24"
3020SP	27.78 x 17.84	706 x 453	30"x20"
3024SP	27.78 x 21.84	706 x 555	30"x24"
3030SP	27.78 x 27.84	706 x 707	30"x30"
3624SP	33.78 x 21.84	858 x 555	36"x24"
3630SP	33.78 x 27.84	858 x 707	36"x30"
3636SP	33.78 x 33.84	858 x 860	36"x36"

### Dead Front Panels

Dead front kits offer a means for mounting user components and equipment near the front of an enclosure opening. Also creates a barrier and controls access to the enclosure interior. Kit includes ANSI 61 gray panel and all hardware for mounting to enclosures.

**(Note:** Cannot be used in conjunction with depth adjustment brackets).



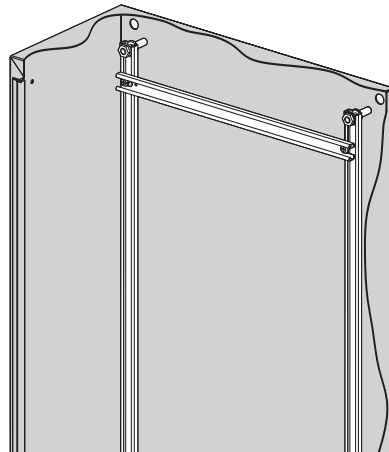
Note: Dead front panel distance from panel face to inside of enclosure cover equals 1 1/4".

Catalog Number	For use with Premier Enclosures A x B
1212DF	12"x12"
1612DF	16"x12"
2016DF	20"x16"
2020DF	20"x20"
2420DF	24"x20"
2424DF	24"x24"
3024DF	30"x24"

### Mounting Channels

Mounting channels create a vertical or horizontal framework for DIN rail, flexible mounting straps, or other component attachment. Two channels provided for mounting on enclosure collar studs.

Finish: Zinc Plated



Catalog Number	Qty.	For use with Premier Enclosures
12MC	2	12" height or width
16MC	2	16" height or width
20MC	2	20" height or width
24MC	2	24" height or width
30MC	2	30" height or width
36MC	2	36" height or width
42MC	2	42" height or width
48MC	2	48" height or width
60MC	2	60" height or width

**Notes:** Dimensions are in inches. Millimeters shown are for reference only. Data subject to change without notice.

# Type 4X Panel Enclosures

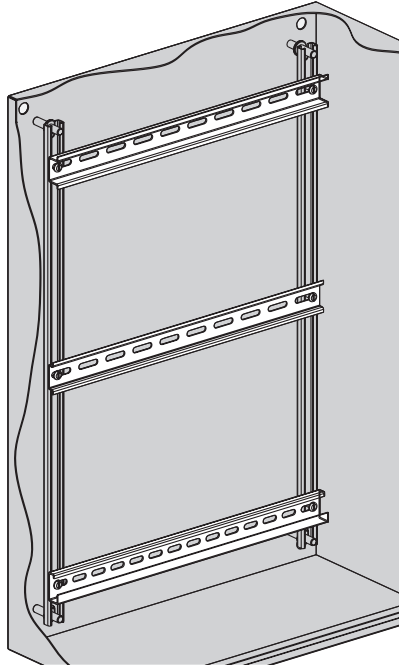
## Premier™ Series Accessories

Discount Schedule: C2

Subclass: TD0

### DIN Rail Kits

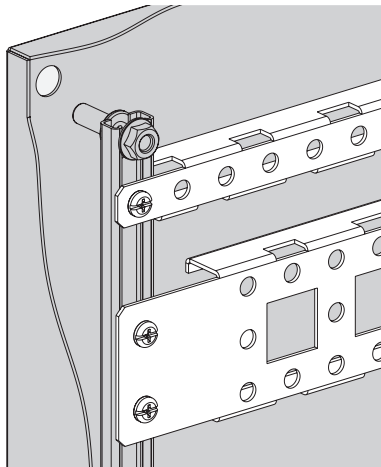
DIN rail kits provide flexibility for mounting DIN type snap-on equipment. Three styles; TS32x15, slotted; TS35x7.5, slotted; TS35x15, slotted all attach to collar studs either horizontally or vertically. Three DIN rails, screws and channel nuts are provided. Finish: Yellow Zinc



Catalog Number	Description	For use with Premier Enclosures
12DR1P	TS32 x 15, slotted	12" height or width
16DR1P	TS32 x 15, slotted	16" height or width
20DR1P	TS32 x 15, slotted	20" height or width
24DR1P	TS32 x 15, slotted	24" height or width
12DR3P	TS35 x 7.5, slotted	12" height or width
16DR3P	TS35 x 7.5, slotted	16" height or width
20DR3P	TS35 x 7.5, slotted	20" height or width
24DR3P	TS35 x 7.5, slotted	24" height or width
12DRCP	TS35 x 15, slotted	12" height or width
16DRCP	TS35 x 15, slotted	16" height or width
20DRCP	TS35 x 15, slotted	20" height or width
24DRCP	TS35 x 15, slotted	24" height or width

### Flexible Mounting Straps

Flexible mounting straps offer a versatile, horizontal or vertical mounting method inside enclosure body. Two designs; 1-hole or 3-hole pattern increase mounting flexibility and attach to enclosure collar studs. Flexible mounting strap kit contains two straps and hardware. Finish: Zinc Plated



Catalog Number	Description	Fits Premier Enclosures
12GS1	1 hole	12" height or width
16GS1	1 hole	16" height or width
20GS1	1 hole	20" height or width
24GS1	1 hole	24" height or width
30GS1	1 hole	30" height or width
36GS3	3 hole	36" height or width
42GS3	3 hole	42" height or width
48GS3	3 hole	48" height or width
60GS3	3 hole	60" height or width

**Notes:** Dimensions are in inches. Millimeters shown are for reference only. Data subject to change without notice.

# Type 4X Panel Enclosures

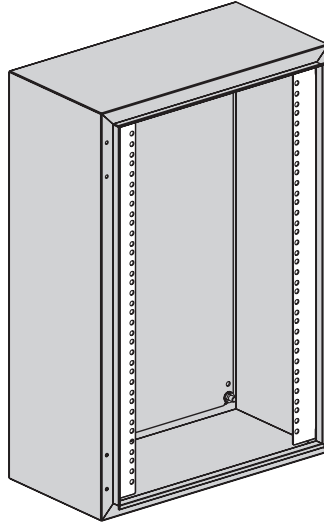
## Premier™ Series Accessories

Discount Schedule: C2

Subclass: TD0

### Rack Mounting Angles

Relay rack angles are designed for mounting EIA 19" rack mount equipment inside 24" wide enclosures. Fabricated from 14 gauge steel and zinc plated. Rack angles are mounted to enclosure flange with hardware provided. Rack mount angles are untapped and require screws and cage nuts for equipment mounting (order separately).  
Finish: Zinc Plated



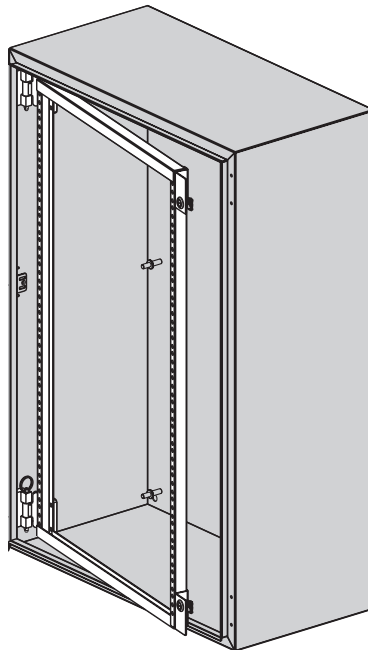
Catalog Number	For use with Premier Enclosures	Mounting Units
10URMA	20" height	10
12URMA	24" height	12
16URMA	30" height	16
19URMA	36" height	19
26URMA	48" height	26

Universal Spacing [ $\frac{5}{8}$ " (16mm),  $\frac{5}{8}$ " (16mm),  $\frac{1}{2}$ " (13mm)]

### Swing-Out Rack Frames

Swing-out rack frames allow mounting of EIA 19" rack mount equipment. Flexible pivoting framework provides access to back of equipment or other internal components. Designed for use with 24" wide Premier series enclosures. Mounting hardware included. Swing-out rack frame holes are untapped and require screws and cage nuts for equipment mounting (order separately).

**(Note:** Cannot be used in conjunction with depth adjustment brackets).  
Finish: ANSI Gray Polyester Powder



Catalog Number	For use with Premier Enclosures	Mounting Units
2424SF	24" x 24"	11
3024SF	30" x 24"	15
3624SF	36" x 24"	18

Universal Spacing [ $\frac{5}{8}$ " (16mm),  $\frac{5}{8}$ " (16mm),  $\frac{1}{2}$ " (13mm)]

**Notes:** Dimensions are in inches. Millimeters shown are for reference only. Data subject to change without notice.

# Type 4X Panel Enclosures

## Premier™ Series Accessories

Discount Schedule: C2

Subclass: TD0

### Handles

Padlocking, key-locking or non-locking handles are interchangeable with standard slotted quarter-turn flush latch on Premier series enclosures. Available keyed alike or keyed different, please specify when ordering.



Catalog Number	Description	Latch Type
WMHNL	Wall-mount handle, non-locking	Single point
WMHK-01	Wall-mount handle, key-locking - keyed 01	Single point
WMHK-02	Wall-mount handle, key-locking - keyed 02	Single point
WMHK-03	Wall-mount handle, key-locking - keyed 03	Single point
WMHK-04	Wall-mount handle, key-locking - keyed 04	Single point
WMHPTO	Wall-mount handle, padlockable	Single point

### Security Latch Inserts

Security latch inserts interchange with slotted quarter-turn flush latch and provide security and control access to interior of enclosure. Inserts include matching key.



7MTLK



7MSLK



3MDBLK

Catalog Number	Description	Latch Type
7MTLK	7mm triangular latch insert	Single point
7MSLK	7mm square latch insert	Single point
3MDBLK	3mm double bit latch insert	Single point

### Print Pockets

Print pockets provide a convenient place to store operation manuals, diagrams, or other documents inside the enclosure. Thermoplastic pockets are gray and have cut away areas for viewing contents. Pockets have adhesive backing for mounting inside on enclosure door.



Catalog Number	Length x Width
32170	6" x 6"
32171	10" x 10"

**Notes:** Dimensions are in inches. Millimeters shown are for reference only. Data subject to change without notice.



# Type 4X Panel Enclosures

## Premier™ Series Accessories

Discount Schedule: C2

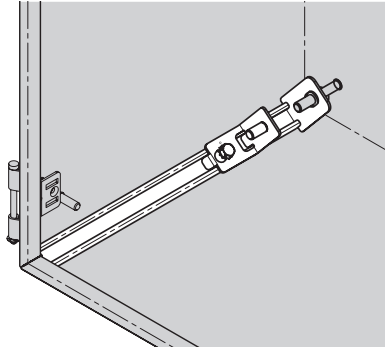
Subclass: TD0

### Depth Adjustment Brackets

Depth adjustment brackets allow variable depth mounting of premier accessories. Designed for use with 6", 8" or 12" deep enclosures. Kit is available in quantities of 4 or 2 and includes mounting channel, adjustable mechanism and hardware. When enclosure has 6 collar studs, use two kits.

(**Note:** Not for use with swing-out rack frame, dead front panel or swing-out panel).

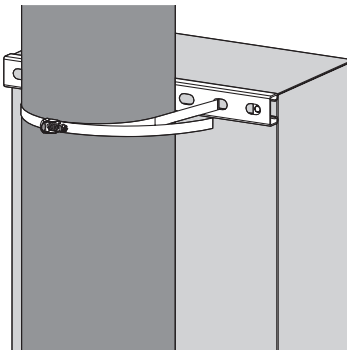
Finish: Zinc Plated



Catalog Number	Qty.	For use with Premier Enclosures
64AMK	4	6" depth or greater
84AMK	4	8" depth or greater
82AMK	2	8" depth or greater
124AMK	4	12" depth or greater
122AMK	2	12" depth or greater

### Pole Mounting Kits

Pole mounting kits allow installation of enclosure on round or rectangular poles. Kit includes hot dip galvanized after fabrication strut channel, stainless steel band and hardware for top and bottom mounting of enclosure.



Note: Pole diameter range 4" minimum to 12" maximum.

Catalog Number	For use with Premier Enclosures
12PMK	12" width
16PMK	16" width
20PMK	20" width
24PMK	24" width
30PMK	30" width

### Hardware

Phillips head screws and cage nuts are available in #10-32, #12-24 or M6 and allow mounting of equipment to untapped holes in rack mounting angles and swing-out rack frame.



Catalog Number	Screw Type
E2-MA-1032-PHMS-100	#10-32 Phillips
E2-MA-1224-PHMS-100	#12-24 Phillips
E2-MA-M6-PHMS-100	M6 Phillips
Catalog Number	Cage Nut Type
E2-MA-CN-1032-100	#10-32 Tapped
E2-MA-CN-1224-100	#12-24 Tapped
E2-MA-CN-M6-100	M6 Tapped

Sold in bags of 100 pieces.

Type 4X Panel Enclosures

**Notes:** Dimensions are in inches. Millimeters shown are for reference only. Data subject to change without notice.

# Type 4X Panel Enclosures

## Slope Top Wall-Mount Enclosures Type 4X EnviroShield™ series Data Sheet



### Application

- Houses electrical controls and instruments
- Intended for use in wash down applications
- Protects against corrosion, circulating and windblown dust, falling dirt, dripping non-corrosive liquids, rain, splashing water and hose directed water

### Standards

- UL 508A Listed, Type 4X, Type 4 and Type 12
- cUL Listed, Type 4X, Type 4 and Type 12
- Conforms to NEMA standard for Type 4X
- Meets NSF 169 requirements
- Wall-mounting brackets required to maintain UL/CSA external mounting requirements

### Finish

- Door and sides of body have a smooth #4 brushed finish

### Accessories

- Panels
- Stand-off spacer kit
- Padlock handle kit
- Wing knob handle kit

### Construction

- Enclosure and hardware are constructed of corrosion-resistant, food-grade 304 stainless steel
- Features a 20 degree slope top design to direct water forward to an angled trough flange to support water runoff
- Top angle trough features 1.5 degree angle toward hinge side for easy draining of water and seals with FIP gasket against a straight top edge to reduce exposed door surface
- All continuous welded seams are finished smooth
- Hardware kit provided contains grounding hardware, .312-18 flanged hex nuts for panel mounting, and sealing washers for body mounting holes

### Body Construction

- Body flange trough design is formed around body opening to divert liquid contaminants away from door opening
- Ground stud provided on enclosure body and door
- .312-18 collar studs are provided for mounting optional panel
- Enclosure mounting holes in body provided for direct mounting, optional stand-off kit, or optional mounting feet

### Door Construction

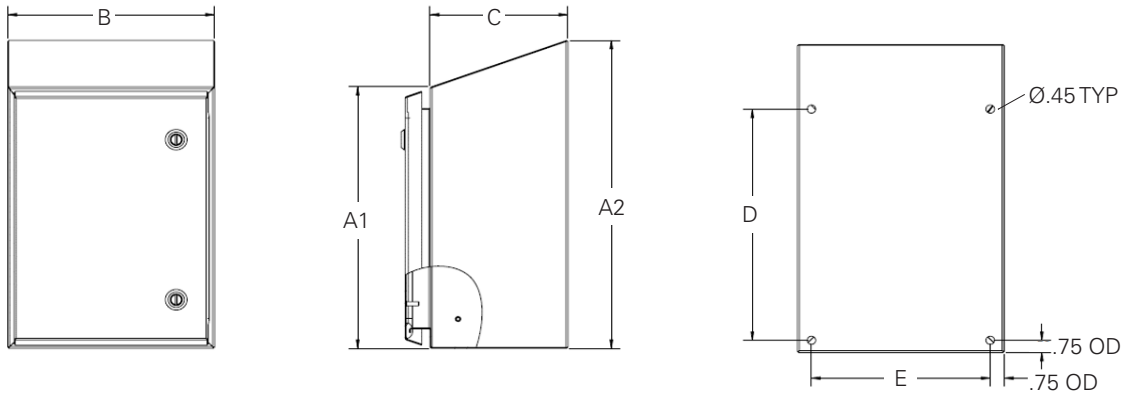
- Features lift off bullet hinges with door cutouts for cleaning access and to minimize contamination
- High quality stainless steel quarter-turn latches
- Doors are easily removed and interchangeable
- Seamless poured in-place gasket
- Door opens 140 degrees for easy access

### Discount Schedule: C2

### Subclass: TSO

# Type 4X Panel Enclosures

## Slope Top Wall-Mount Enclosures Type 4X EnviroShield™ series Illustration Sheet and Catalog Number



Enclosure Catalog Number	Dimensions Height x Width x Depth A1 x A2 x B x C		Size door/ body gauge	Mounting Dimensions		Latch Qty.	Panel Catalog Number	Panel Size Dimensions	
	in.	mm		D x E (in.)	D x E (mm)			in.	mm
ES-16128-4XS	16.24 x 19.10 x 12.00 x 8.00	412 x 485 x 305 x 203	16 GA/16 GA	14.75 x 10.50	374 x 266	2	AW1612P	13.00 x 9.00	330 x 229
ES-16168-4XS	16.24 x 19.10 x 16.00 x 8.00	412 x 485 x 406 x 203	16 GA/16 GA	14.75 x 14.50	374 x 368	2	AW1616P	13.00 x 13.00	330 x 330
ES-20168-4XS	20.24 x 23.10 x 16.00 x 8.00	514 x 587 x 406 x 203	16 GA/16 GA	18.75 x 14.50	476 x 368	2	AW2016P	17.00 x 13.00	432 x 330
ES-20208-4XS	20.24 x 23.10 x 20.00 x 8.00	514 x 587 x 508 x 203	16 GA/16 GA	18.75 x 18.50	476 x 469	2	AW2020P	17.00 x 17.00	432 x 432
ES-24208-4XS	24.30 x 27.14 x 20.00 x 8.00	617 x 689 x 508 x 203	16 GA/14 GA	22.75 x 18.50	577 x 469	2	AW2420P	20.87 x 16.87	530 x 429
ES-24248-4XS	24.30 x 27.14 x 24.00 x 8.00	617 x 689 x 610 x 203	16 GA/14 GA	22.75 x 22.50	577 x 571	4	AW2424P	20.87 x 20.87	530 x 530
ES-30248-4XS	30.30 x 33.14 x 24.00 x 8.00	770 x 842 x 610 x 203	16 GA/14 GA	29.00 x 22.50	736 x 571	5	AW3024P	26.87 x 20.87	683 x 531
ES-30308-4XS	31.40 x 34.21 x 30.00 x 8.00	798 x 869 x 762 x 203	16 GA/12 GA	29.00 x 28.50	736 x 723	5	ES3030P	26.87 x 26.00	683 x 660
ES-36308-4XS	37.40 x 40.21 x 30.00 x 8.00	950 x 1021 x 762 x 203	14 GA/12 GA	35.75 x 28.50	908 x 723	5	ES3630P	32.87 x 26.00	835 x 660
ES-201612-4XS	20.28 x 24.60 x 16.00 x 12.00	515 x 625 x 406 x 305	16 GA/16 GA	18.75 x 14.50	476 x 368	2	AW2016P	17.00 x 13.00	432 x 330
ES-202012-4XS	20.28 x 24.60 x 20.00 x 12.00	515 x 625 x 508 x 305	16 GA/16 GA	18.75 x 18.50	476 x 469	2	AW2020P	17.00 x 17.00	432 x 432
ES-242412-4XS	24.34 x 28.64 x 24.00 x 12.00	618 x 727 x 610 x 305	16 GA/14 GA	23.75 x 22.50	603 x 571	4	AW2424P	20.87 x 20.87	530 x 530
ES-302412-4XS	30.34 x 34.64 x 24.00 x 12.00	771 x 880 x 610 x 305	16 GA/14 GA	29.00 x 22.50	736 x 571	5	AW3024P	26.87 x 20.87	683 x 530
ES-363012-4XS	37.45 x 41.71 x 30.00 x 12.00	951 x 1059 x 762 x 305	14 GA/12 GA	35.75 x 28.50	908 x 723	5	ES3630P	32.87 x 26.00	835 x 660
ES-363612-4XS	37.55 x 41.81 x 36.00 x 12.00	954 x 1062 x 914 x 305	14 GA/12 GA	35.75 x 34.50	908 x 876	5	ES3636P	32.87 x 32.00	835 x 813
ES-603612-4XS	61.18 x 65.44 x 36.00 x 12.00	1554 x 1662 x 914 x 305	14 GA/12 GA	60.00 x 34.50	1524 x 876	5	ES6036P	56.87 x 32.00	1445 x 813
ES-363016-4XS	37.39 x 43.11 x 30.00 x 16.00	950 x 1095 x 762 x 406	14 GA/12 GA	36.00 x 28.50	914 x 723	5	ES3630P	32.87 x 26.00	835 x 660
ES-483616-4XS	49.59 x 55.31 x 36.00 x 16.00	1260 x 1405 x 914 x 406	14 GA/12 GA	48.00 x 34.50	1219 x 876	5	ES4836P	44.87 x 32.00	1140 x 813

## Slope Top Wall-Mount Enclosures Accessories Discount Schedule: C2

Subclass: TSO



Standoff Spacer Kit



Padlock Handle Kit



Wing Knob Handle Kit

Catalog Number	Description	For use with:
ES-S01	Standoff Spacer Kit	All slope top enclosures
ES-S02	Standoff Spacer Kit	All slope top enclosures
ES-S04	Standoff Spacer Kit	All slope top enclosures
ES-S06	Standoff Spacer Kit	All slope top enclosures
ES-PLHSS	Padlock Handle Kit	All slope top enclosures
ES-PLSS	Wing Knob Handle Kit	All slope top enclosures
ES3630P	Accessory - Panel	Specific sized slope top enclosures
ES3636P	Accessory - Panel	Specific sized slope top enclosures
ES6036P	Accessory - Panel	Specific sized slope top enclosures
ES4836P	Accessory - Panel	Specific sized slope top enclosures
ES3030P	Accessory - Panel	Specific sized slope top enclosures

Type 4X Panel Enclosures

# Type 4X Panel Enclosures

## Wall-Mount Enclosures Type 4X Single-Door with 3-Point Locking Data Sheet and Catalog Number



### Application

- Houses electrical controls and instruments
- Intended for indoor or outdoor use where a corrosive environment exists
- Protects against windblown dust and rain, splashing water and hose directed water

### Standards

- UL 508A Listed, Type 3R, 4, 4X, 12
- CSA C22.2 No.94 certified, Type 3R, 4, 4X, 12
- Conforms to NEMA Standards for Type 3, 3R, 4, 4X, 12

### Finish

- Door and sides of body have a smooth #4 brushed finish

### Accessories

- Panels
- Swing-out panel kits
- NEMA terminal kits
- Window kits
- Floor stand kit
- Replacement handle, BD-PKHSS, see page 429

### Construction

- Enclosure and door are fabricated from (14) gauge stainless steel
- All continuous welded seams are finished smooth
- Stainless Steel continuous hinge and pin
- Internal 3-point latching with a stainless padlocking handle
- Door has a seamless poured in-place gasket
- Formed lip around enclosure opening diverts liquids and contaminants
- Ground stud provided on door and body
- Print pocket provided
- .375-16 colar studs are provided for mounting optional panel
- External mounting feet

### Discount Schedule: C2

### Subclass: DG3

Enclosure		Enclosure Size Height x Width x Depth A x B x C		Panel	Conductive Panel	Panel Size	
Type 304 Catalog Number	Type 316L Catalog Number	in.	mm	Catalog Number	Catalog Number	Height in.	Width mm
24206-4XS3PT	24206-4XSS63PT	24 x 20 x 6	609 x 508 x 152	AW2420P	AW2420GP	20.87 x 16.87	530 x 428
24208-4XS3PT	24208-4XSS63PT	24 x 20 x 8	609 x 508 x 203	AW2420P	AW2420GP	20.87 x 16.87	530 x 428
24248-4XS3PT	24248-4XSS63PT	24 x 24 x 8	609 x 609 x 203	AW2424P	AW2424GP	20.87 x 20.87	530 x 530
30248-4XS3PT	30248-4XSS63PT	30 x 24 x 8	762 x 609 x 203	AW3024P	AW3024GP	26.87 x 20.87	682 x 530
30308-4XS3PT	30308-4XSS63PT	30 x 30 x 8	762 x 762 x 203	AW3030P	AW3030GP	26.87 x 26.87	682 x 682
36248-4XS3PT	36248-4XSS63PT	36 x 24 x 8	914 x 609 x 203	AW3624P	AW3624GP	32.87 x 20.87	835 x 530
36308-4XS3PT	36308-4XSS63PT	36 x 30 x 8	914 x 762 x 203	AW3630P	AW3630GP	32.87 x 26.87	835 x 682
48368-4XS3PT	48368-4XSS63PT	48 x 36 x 8	1219 x 914 x 203	AW4836P	AW4836GP	44.87 x 32.87	1139 x 835
242010-4XS3PT	242010-4XSS63PT	24 x 20 x 10	609 x 508 x 254	AW2420P	AW2420GP	20.87 x 16.87	530 x 428
363010-4XS3PT	363010-4XSS63PT	36 x 30 x 10	914 x 762 x 254	AW3630P	AW3630GP	32.87 x 26.87	835 x 682
423010-4XS3PT	423010-4XSS63PT	42 x 30 x 10	1067 x 762 x 254	AW4230P	AW4230GP	38.87 x 26.87	987 x 682
483610-4XS3PT	483610-4XSS63PT	48 x 36 x 10	1219 x 914 x 254	AW4836P	AW4836GP	44.87 x 32.87	1139 x 835

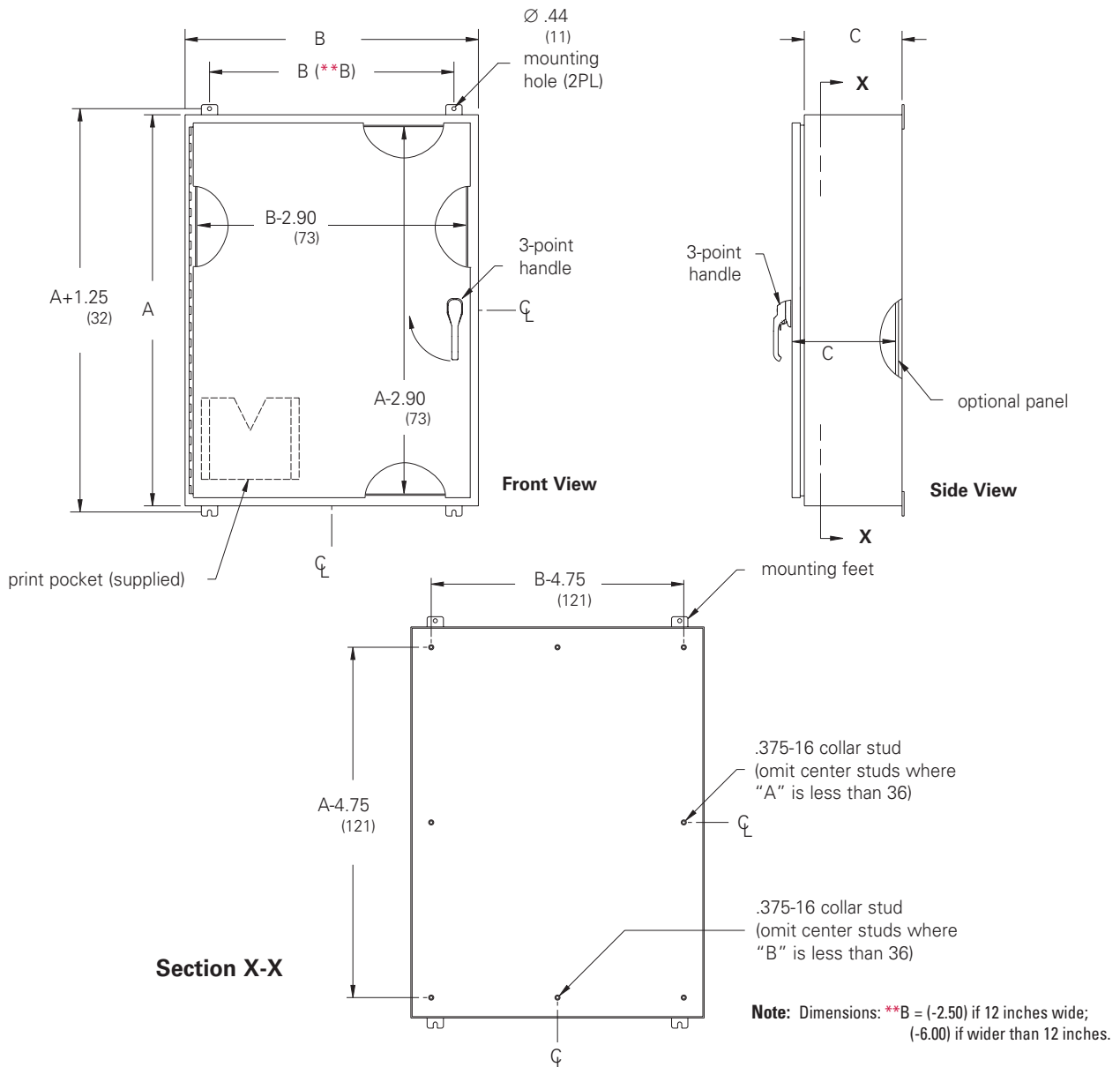
Continued on following page

**Notes:** We can provide special sizes, finishes and other modifications. Consult the factory for your special requirements.

# Type 4X Panel Enclosures

## Wall-Mount Enclosures Type 4X Single-Door with 3-Point Locking Illustration Sheet and Catalog Number

Enclosure		Enclosure Size Height x Width x Depth		Panel	Conductive Panel	Panel Size	
Type 304 Catalog Number	Type 316L Catalog Number	A x B x C		Catalog Number	Catalog Number	Height x Width	
		in.	mm			in.	mm
242412-4XS3PT	242412-4XSS63PT	24 x 24 x 12	609 x 609 x 305	AW2424P	AW2424GP	20.87 x 20.87	530 x 530
302412-4XS3PT	302412-4XSS63PT	30 x 24 x 12	762 x 609 x 305	AW3024P	AW3024GP	26.87 x 20.87	682 x 530
363012-4XS3PT	363012-4XSS63PT	36 x 30 x 12	914 x 762 x 305	AW3630P	AW3630GP	32.87 x 26.87	835 x 682
363612-4XS3PT	363612-4XSS63PT	36 x 36 x 12	914 x 914 x 305	AW3636P	AW3636GP	32.87 x 32.87	835 x 835
423612-4XS3PT	423612-4XSS63PT	42 x 36 x 12	1067 x 914 x 305	AW4236P	AW4236GP	38.87 x 32.87	987 x 835
483612-4XS3PT	483612-4XSS63PT	48 x 36 x 12	1219 x 914 x 305	AW4836P	AW4836GP	44.87 x 32.87	1139 x 835
603612-4XS3PT	603612-4XSS63PT	60 x 36 x 12	1524 x 914 x 305	AW6036P	AW6036GP	56.87 x 32.87	1444 x 835
483616-4XS3PT	483616-4XSS63PT	48 x 36 x 16	1219 x 914 x 406	AW4836P	AW4836GP	44.87 x 32.87	1139 x 835
603616-4XS3PT	603616-4XSS63PT	60 x 36 x 16	1524 x 914 x 406	AW6036P	AW6036GP	56.87 x 32.87	1444 x 835



**Notes:** Dimensions are in inches. Millimeters shown are for reference only. Data subject to change without notice.

# Type 4X Panel Enclosures

## Wall-Mount Enclosures Type 4X Double-Door with 3-Point Locking Data Sheet and Catalog Number



### Application

- Houses electrical controls and instruments
- Intended for indoor or outdoor use where a corrosive environment exists
- Protects against corrosion, windblown dust and rain, splashing water and hose directed water

### Standards

- UL 508A Listed, Type 3R, 4, 4X, 12
- CSA C22.2 No.94 certified, Type 3R, 4, 4X, 12
- Conforms to NEMA Standards for Type 3, 3R, 4, 4X, 12

### Finish

- Door and sides of body have a smooth #4 brushed finish

### Accessories

- Panels
- Swing-out panel kits
- Window kits
- Floor stand kit
- Lights
- Replacement handle, BD-PKHSS, see page 429

### Construction

- Enclosure and cover are fabricated from (14) Gauge Stainless Steel
- All continuous welded seams are finished smooth
- Stainless steel continuous hinge and pin
- Internal 3-point latching with stainless padlocking handles
- Removable centerpost for easy panel installation
- Doors have a seamless poured in-place gasket
- Formed lip around enclosure opening diverts liquids and contaminants
- Ground stud provided on doors and body
- Print pocket provided
- .375-16 colar studs are provided for mounting optional panel
- External mounting feet

### Discount Schedule: C2

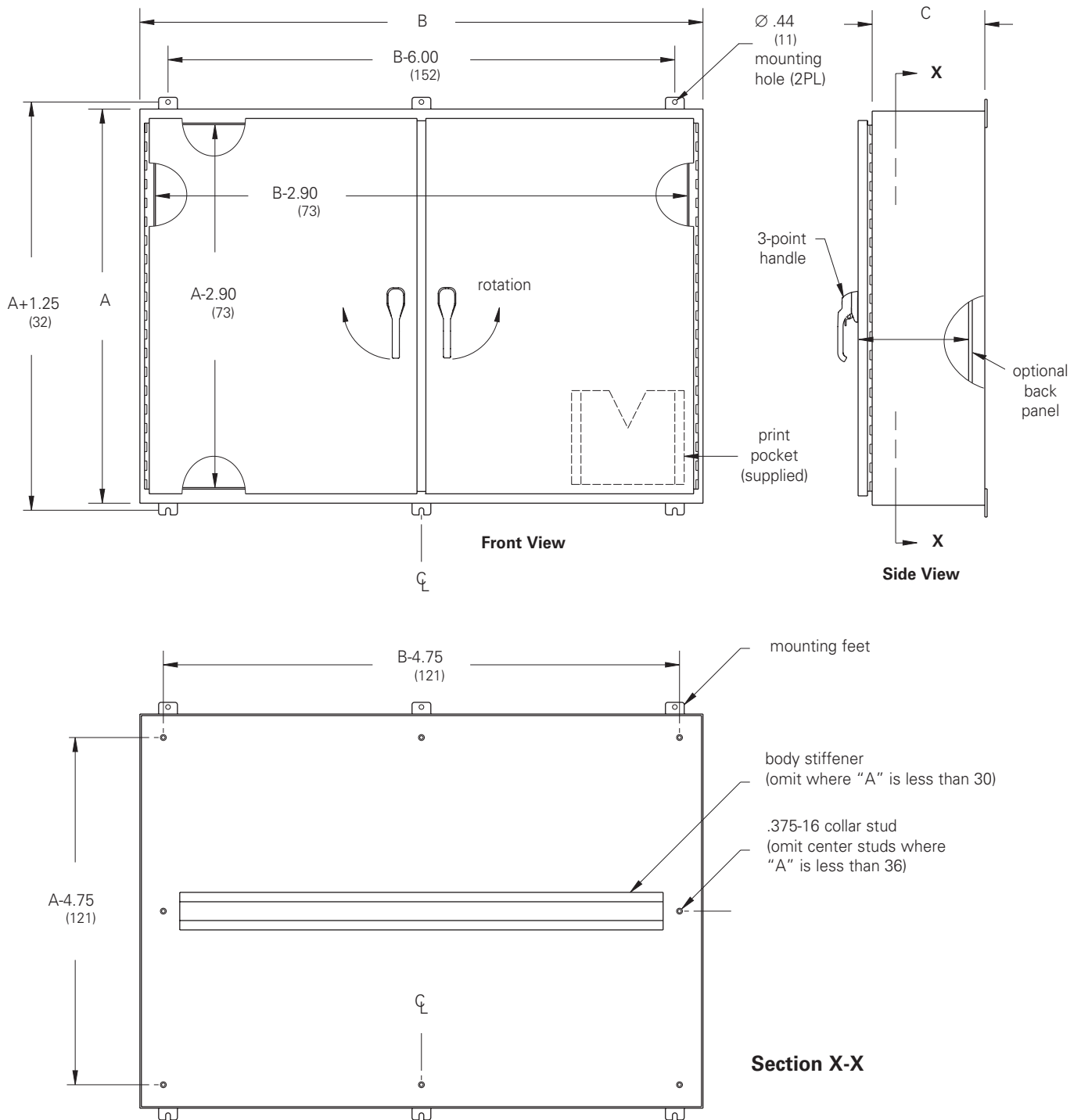
### Subclass: DG3

Enclosure Catalog Number	Enclosure Size Height x Width x Depth A x B x C		Panel Catalog Number	Conductive Panel Catalog Number	Panel Size Height x Width	
	in.	mm			in.	mm
24428-4XSD3PT	24 x 42 x 8	609 x 1067 x 203	AW4224P	—	38.87 x 20.87	987 x 530
24488-4XSD3PT	24 x 48 x 8	609 x 1219 x 203	AW4824P	—	44.87 x 20.87	1139 x 530
304210-4XSD3PT	30 x 42 x 10	762 x 1067 x 254	AW4230P	AW4230GP	38.87 x 26.87	987 x 682
304810-4XSD3PT	30 x 48 x 10	762 x 1219 x 254	AW4830P	AW4830GP	44.87 x 26.87	1139 x 682
306010-4XSD3PT	30 x 60 x 10	762 x 1524 x 254	AW6030P	—	56.87 x 26.87	1444 x 682
364212-4XSD3PT	36 x 42 x 12	914 x 1067 x 305	AW4236P	AW4236GP	38.87 x 32.87	987 x 835
364812-4XSD3PT	36 x 48 x 12	914 x 1219 x 305	AW4836P	AW4836GP	44.87 x 32.87	1139 x 835
366012-4XSD3PT	36 x 60 x 12	914 x 1524 x 305	AW6036P	AW6036GP	56.87 x 32.87	1444 x 835
424212-4XSD3PT	42 x 42 x 12	1067 x 1067 x 305	AW4242P	—	38.87 x 38.87	987 x 987
424812-4XSD3PT	42 x 48 x 12	1067 x 1219 x 305	AW4842P	AW4842GP	44.87 x 38.87	1139 x 987
426012-4XSD3PT	42 x 60 x 12	1067 x 1524 x 305	AW6042P	—	56.87 x 38.87	1444 x 987
484812-4XSD3PT	48 x 48 x 12	1219 x 1219 x 305	AW4848P	—	44.87 x 44.87	1139 x 1139

**Notes:** We can provide special sizes, finishes and other modifications. Consult the factory for your special requirements.

# Type 4X Panel Enclosures

## Wall-Mount Enclosures Type 4X Double-Door with 3-Point Locking Illustration Sheet



Type 4X Panel Enclosures

**Notes:** Dimensions are in inches. Millimeters shown are for reference only. Data subject to change without notice.

# Type 4X Panel Enclosures

## Ground-Mount Enclosures Type 4X Double-Door Floor-Standing Data Sheet and Catalog Number



### Application

- Houses electrical controls and instruments
- Intended for indoor or outdoor use where a corrosive environment exists
- Protects against corrosion, windblown dust and rain, splashing water and hose directed water

### Standards

- UL 508A listed, Type 4, Type 4X, and Type 12
- CSA C22.2 No.94 certified, Type 4, Type 4X, and Type 12
- Conforms to NEMA standard for Type 4, Type 4X, and Type 12

### Finish

- Doors and sides of body have a smooth #4 brushed finish

### Accessories

- Panels
- Leg stabilizer kit
- See Accessories section

### Construction

- Enclosure and doors are fabricated from Type 304 or Type 316L stainless steel (for gauge see table)
- All continuous welded seams are finished smooth
- Doors are secured to the body with removable concealed stainless hinges and easy to remove stainless steel door clamps on three (3) sides
- Modern bevel profile on hinge side of enclosure doors
- Print pocket provided
- Each door has a padlock hasp with sealing hole provision
- Doors have a seamless, poured in-place gasket
- Ground stud provided on doors and body
- Removable center post for complete front access
- Heavy gauge angle supports and .375-16 collar studs are provided for mounting optional panel
- Large lifting eyebolts are supplied
- Hole seals are provided to seal enclosure after removal of lifting eyebolts
- Mounting legs are provided for floor mounting

### Discount Schedule: C2

Subclass: **DJO (Type 304)**  
**TUO (Type 316L)**

Enclosure Catalog Number Stainless Steel		Enclosure Size Height x Width x Depth A x B x C		Panel Catalog Number	Body/Door Gauge	Panel Size Height x Width	
Type 304	Type 316L	in.	mm	Steel		in.	mm
624810-4XSFD	624810-4XSS6FD	62.00 x 48.00 x 10.00	1575 x 1219 x 254	AW6048P	12/12	55.87 x 43.87	1419 x 1114
624812-4XSFD	624812-4XSS6FD	62.00 x 48.00 x 12.00	1575 x 1219 x 305	AW6048P	12/12	55.87 x 43.87	1419 x 1114
626012-4XSFD	626012-4XSS6FD	62.00 x 60.00 x 12.00	1575 x 1524 x 305	AW6060P	12/12	55.87 x 55.87	1419 x 1419
746012-4XSFD	746012-4XSS6FD	74.00 x 60.00 x 12.00	1880 x 1524 x 305	AW7260P	12/10	67.87 x 55.87	1724 x 1419
747212-4XSFD	747212-4XSS6FD	74.00 x 72.00 x 12.00	1880 x 1829 x 305	AW7272P	12/10	67.87 x 67.87	1724 x 1724
747224-4XSFD	747224-4XSS6FD	74.00 x 72.00 x 24.00	1880 x 1829 x 610	AW7272P	12/10	67.87 x 67.87	1724 x 1724

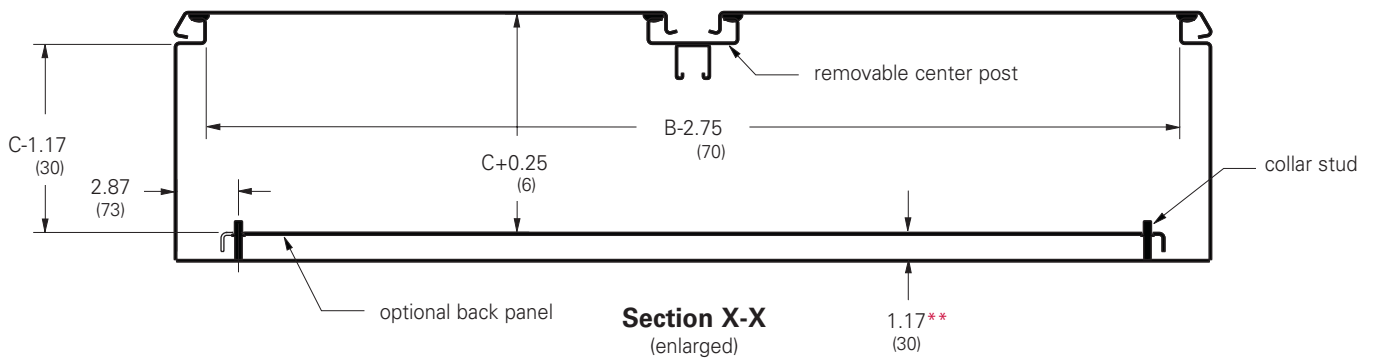
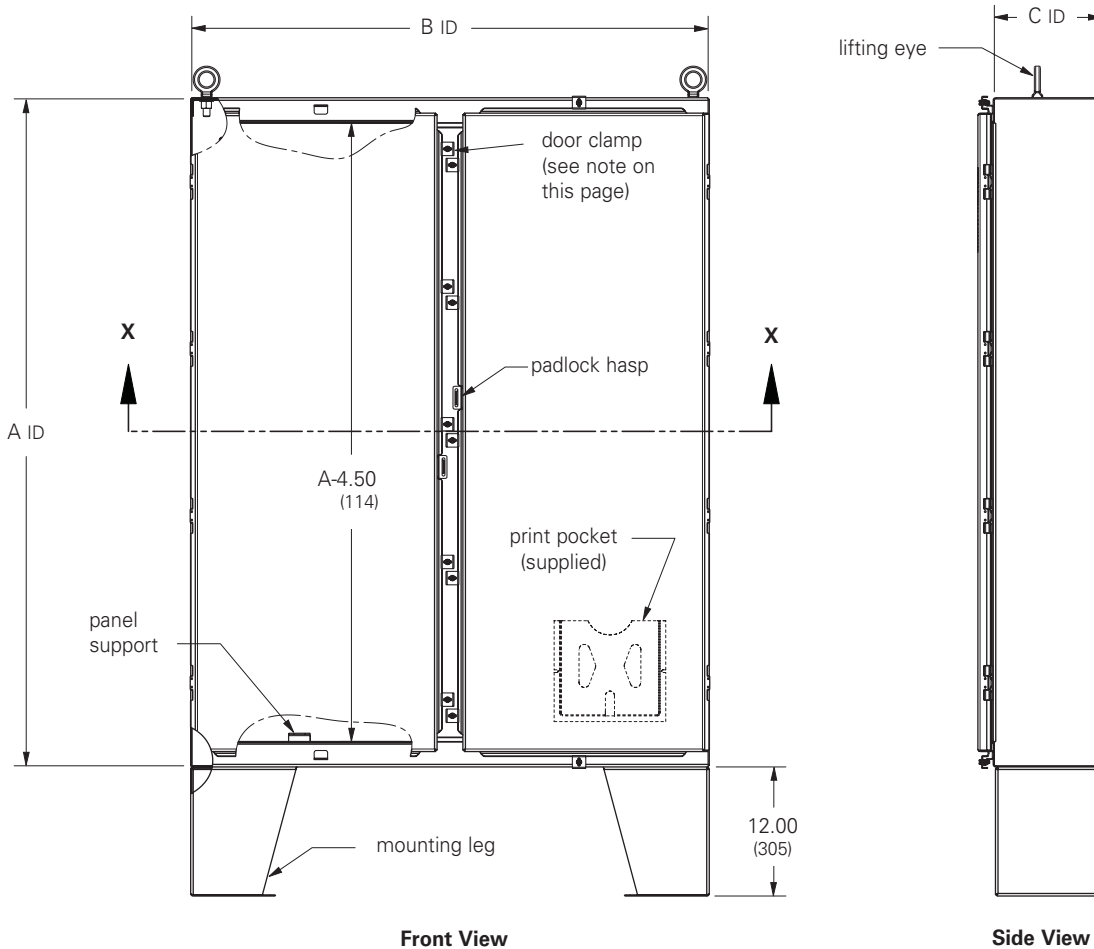
**Notes:** We can provide special sizes, finishes and other modifications. Consult the factory for your special requirements. Dimensions are in inches. Millimeters shown are for reference only. Data subject to change without notice.



# Type 4X Panel Enclosures

## Ground-Mount Enclosures Type 4X Double-Door Floor-Standing Illustration Sheet

ID = Inside Dimension



\*\* From top of panel stud flange to inside of enclosure

**Notes:** Clamps are mounted along three sides of the enclosure door. Spacing between clamps along side opposite the hinge does not exceed 15 inches. Four lifting eyes are furnished when C dimension is 24" (609 mm). Dimensions are in inches. Millimeters shown are for reference only. Data subject to change without notice.

Type 4X Panel Enclosures

# Type 4X Panel Enclosures

## Ground-Mount Enclosures Type 4X Double-Door Floor-Standing with Quarter-Turn Latches Data Sheet and Catalog Number



### Application

- Houses electrical controls and instruments
- Intended for indoor or outdoor use where a corrosive environment exists
- Protects against corrosion, windblown dust and rain, splashing water and hose directed water

### Standards

- UL 508A listed, Type Type 3R, 4, Type 4X, Type 12
- CSA C22.2 No.94 certified, Type 3R, Type 4, Type 4X, Type 12
- Conforms to NEMA standard for Type 3, Type 3R, Type 4, Type 4X, Type 12

### Finish

- Door and sides of body have a smooth #4 brushed finish

### Accessories

- Panels
- Panel Support Kit
- Panel Lifting Kit
- Leg stabilizer kit
- Lights
- Window kits

### Construction

- Enclosure body (12) gauge and doors (14) gauge are fabricated from Type 304 stainless steel
- All continuous welded seams are finished smooth
- Doors are secured to the body with removable concealed stainless hinges and quarter-turn flush latches on three (3) sides
- Modern bevel profile on both sides of enclosure doors
- Doors have a seamless poured in-place gasket
- Removable centerpost for easy panel installation
- Formed lip around enclosure opening diverts liquids and contaminants
- Ground stud provided on doors and body
- Print pocket provided
- Heavy gauge angle supports and .375-16 collar studs are provided for mounting optional panel
- Large lifting eyebolts
- Hole seals are provided to seal enclosure after removal of lifting eyebolts
- Mounting legs

### Discount Schedule: C2

### Subclass: DJ2

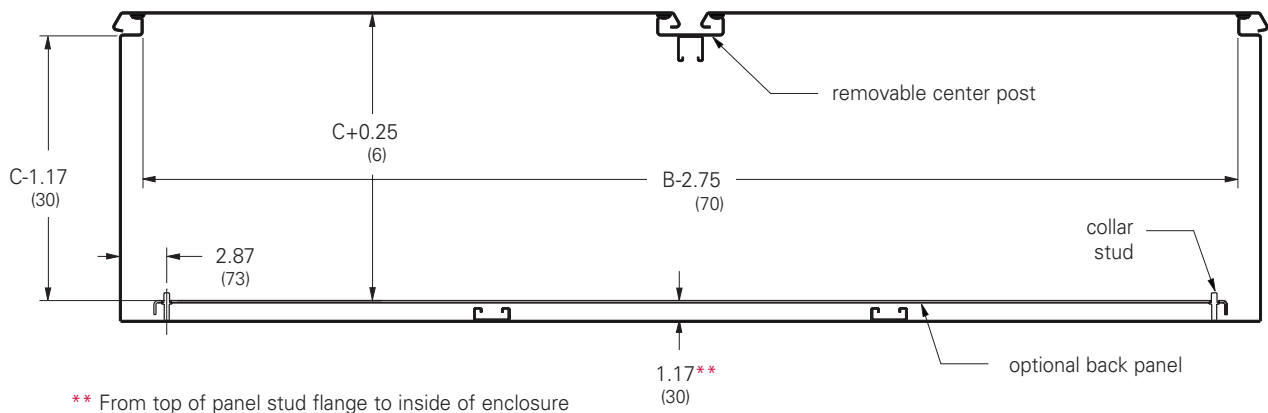
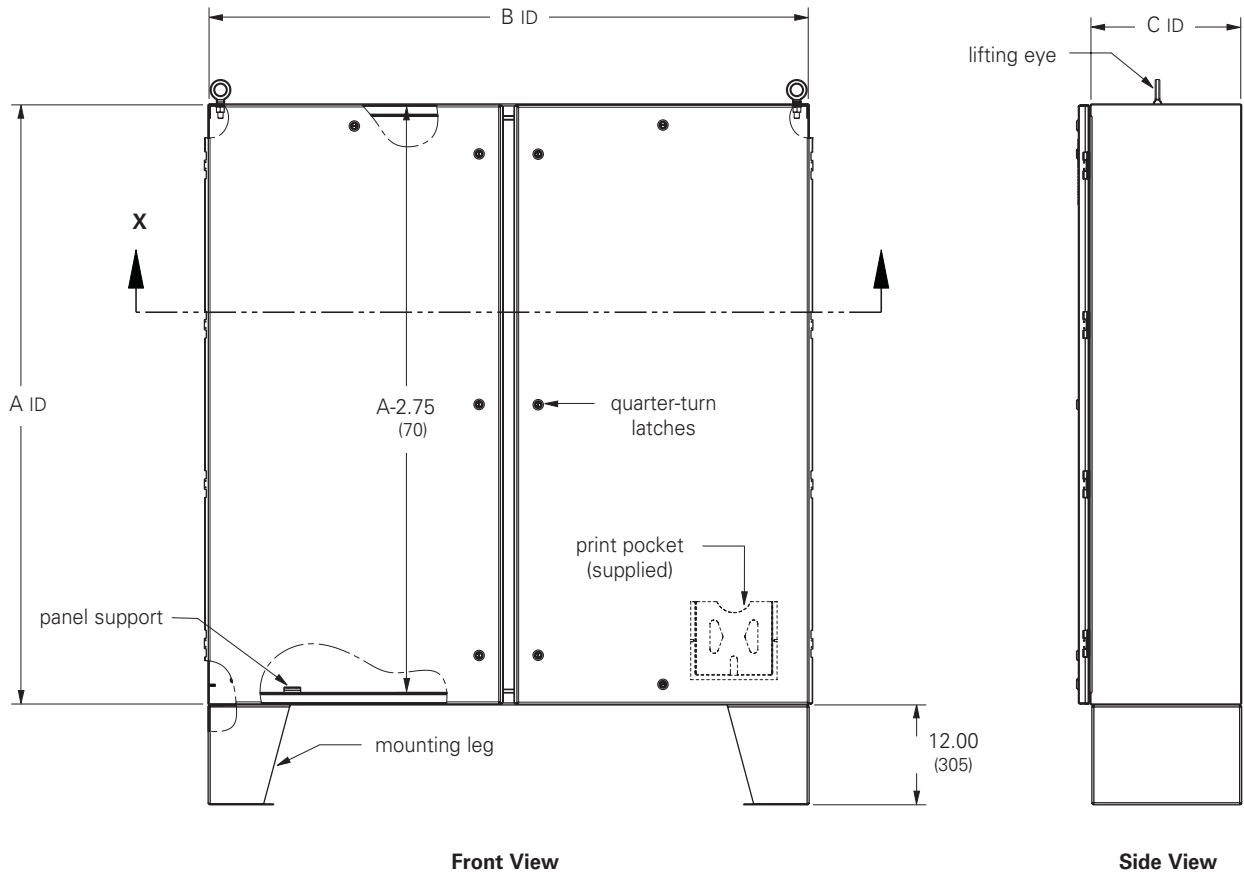
Enclosure Catalog Number	Enclosure Size Height x Width x Depth A x B x C		Panel Catalog Number Steel	Panel Size Height x Width	
	in.	mm		in.	mm
604812-4XSFDQT	60.00 x 48.00 x 12.00	1524 x 1219 x 305	AW6048P	55.87 x 43.87	1419 x 1114
606012-4XSFDQT	60.00 x 60.00 x 12.00	1524 x 1524 x 305	AW6060P	55.87 x 55.87	1419 x 1419
726012-4XSFDQT	72.00 x 60.00 x 12.00	1829 x 1524 x 305	AW7260P	67.87 x 55.87	1724 x 1419
727212-4XSFDQT	72.00 x 72.00 x 12.00	1829 x 1829 x 305	AW7272P	67.87 x 67.87	1724 x 1724
604818-4XSFDQT	60.00 x 48.00 x 18.00	1524 x 1219 x 457	AW6048P	55.87 x 43.87	1419 x 1114
606018-4XSFDQT	60.00 x 60.00 x 18.00	1524 x 1524 x 457	AW6060P	55.87 x 55.87	1419 x 1419
726018-4XSFDQT	72.00 x 60.00 x 18.00	1829 x 1524 x 457	AW7260P	67.87 x 55.87	1724 x 1419
727218-4XSFDQT	72.00 x 72.00 x 18.00	1829 x 1829 x 457	AW7272P	67.87 x 67.87	1724 x 1724
727224-4XSFDQT	72.00 x 72.00 x 24.00	1829 x 1829 x 609	AW7272P	67.87 x 67.87	1724 x 1724

**Notes:** We can provide special sizes, finishes and other modifications. Consult the factory for your special requirements. Dimensions are in inches. Millimeters shown are for reference only. Data subject to change without notice.

# Type 4X Panel Enclosures

## Ground-Mount Enclosures Type 4X Double-Door Floor-Standing with Quarter-Turn Latches Illustration Sheet

ID = Inside Dimension



**Notes:** Four lifting eyes are furnished when C dimension is 24" (609 mm).  
Dimensions are in inches. Millimeters shown are for reference only. Data subject to change without notice.

# Type 4X Panel Enclosures

## Ground-Mount Enclosures Type 4X Double-Door Floor-Standing with 3-Point Locking Data Sheet and Catalog Number



### Finish

- Door and sides of body have a smooth #4 brushed finish

### Accessories

- Panels
- Panel Support Kit
- Panel Lifting Kit
- Leg stabilizer kit
- Lights
- Window kits
- See page 429 for replacement handles black handle for Type 304 enclosure, BD-PKHB stainless steel handle for Type 316L enclosure, BD-PKHSS

### Construction

- Enclosure and doors are fabricated from Type 304 or Type 316L stainless steel (for gauge see table)
- All continuous welded seams are finished smooth
- Doors are secured to the body with removable concealed stainless hinges and a center locating 3-point key-locking and padlock black handle mechanism
- Modern bevel profile on both sides of enclosure doors
- Stainless handles provided on 316L stainless steel enclosures
- Additional quarter-turn latches provided top and bottom on all enclosure doors
- Doors have a seamless poured in-place gasket
- Removable centerpost for easy panel installation
- Formed lip around enclosure opening diverts liquids and contaminants
- Ground stud provided on doors and body
- Print pocket provided
- Heavy gauge angle supports and .375-16 collar studs are provided for mounting optional panel
- Large lifting eyebolts
- Hole seals are provided to seal enclosure after removal of lifting eyebolts
- Mounting legs

### Application

- Houses electrical controls and instruments
- Intended for indoor or outdoor use where a corrosive environment exists
- Protects against corrosion, windblown dust and rain, splashing water and hose directed water

### Standards

- UL 508A listed, Type 3R, Type 4, Type 4X, Type 12
- CSA C22.2 No.94 certified, Type 3R, Type 4, Type 4X, Type 12
- Conforms to NEMA standard for Type 3, Type 3R, Type 4, Type 4X, Type 12

### Discount Schedule: C2

### Subclass: DJ3

Enclosure Catalog Number Stainless Steel		Enclosure Size Height x Width x Depth A x B x C		Panel Catalog Number	Body/Door Gauge	Panel Size Height x Width	
Type 304 *	Type 316L **	in.	mm	Steel		in.	mm
624812-4XSFD3PT	624812-4XSS6FD3PT	62.00 x 48.00 x 12.00	1575 x 1219 x 305	AW6048P	12/12	55.87 x 43.87	1419 x 1114
626012-4XSFD3PT	626012-4XSS6FD3PT	62.00 x 60.00 x 12.00	1575 x 1524 x 305	AW6060P	12/12	55.87 x 55.87	1419 x 1419
746012-4XSFD3PT	746012-4XSS6FD3PT	74.00 x 60.00 x 12.00	1879 x 1524 x 305	AW7260P	12/10	67.87 x 55.87	1724 x 1419
747212-4XSFD3PT	747212-4XSS6FD3PT	74.00 x 72.00 x 12.00	1879 x 1829 x 305	AW7272P	12/10	67.87 x 67.87	1724 x 1724
624818-4XSFD3PT	624818-4XSS6FD3PT	62.00 x 48.00 x 18.00	1575 x 1219 x 457	AW6048P	12/12	55.87 x 43.87	1419 x 1114
747224-4XSFD3PT	747224-4XSS6FD3PT	74.00 x 72.00 x 24.00	1879 x 1829 x 609	AW7272P	12/10	67.87 x 67.87	1724 x 1724

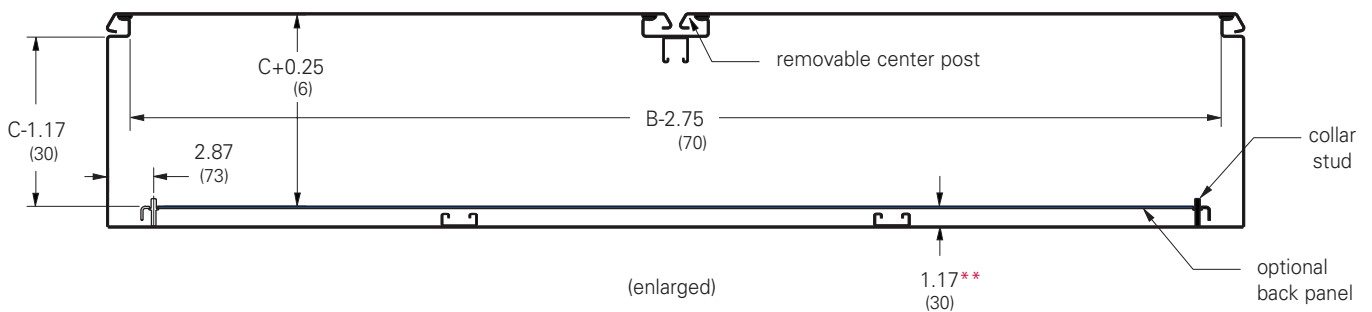
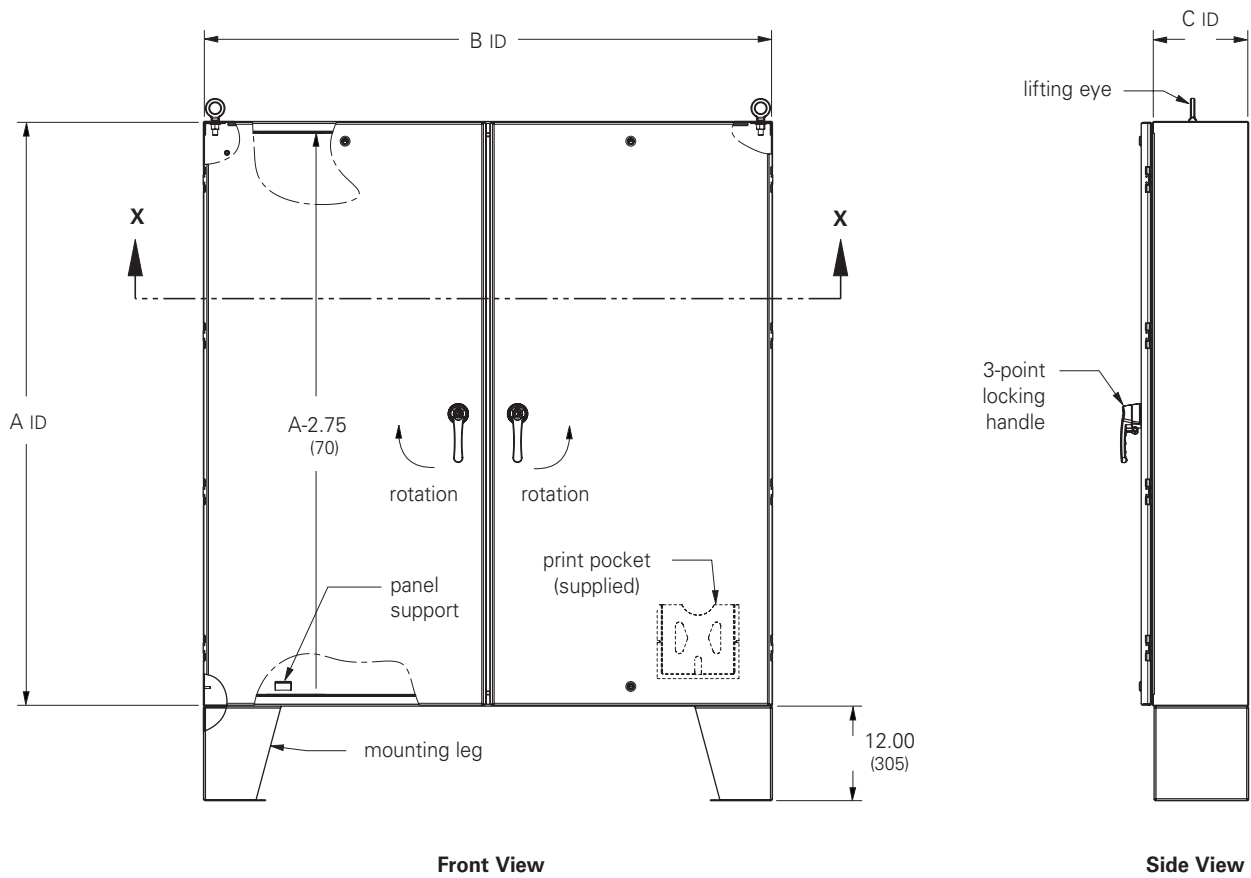
\* Type 304 enclosures come with black handles \*\* Type 316L enclosures come with stainless steel handle

**Notes:** We can provide special sizes, finishes and other modifications. Consult the factory for your special requirements.  
Dimensions are in inches. Millimeters shown are for reference only. Data subject to change without notice.

# Type 4X Panel Enclosures

## Ground-Mount Enclosures Type 4X Double-Door Floor-Standing with 3-Point Locking Illustration Sheet

ID = Inside Dimension



\*\* From top of panel stud flange to inside of enclosure

**Notes:** Four lifting eyes are furnished when C dimension is 24" (609 mm).  
Dimensions are in inches. Millimeters shown are for reference only. Data subject to change without notice.  
Additional quarter-turn latch provided on top and bottom of all enclosures.

# Type 4X Panel Enclosures

## Ground-Mount Enclosures Type 4X Single-Door Free-Standing Data Sheet



### Application

- Houses electrical controls and instruments
- Easy access fixed or swing panels for mounting optional equipment
- Intended for indoor or outdoor use
- Protects against corrosion, windblown dust and rain, splashing water and hose directed water

### Standards

- UL 508A listed, Type 4, Type 4X, and Type 12
- CSA C22.2 No.94 certified, Type 4, Type 4X, and Type 12
- Conforms to NEMA standard for Type 4, Type 4X, and Type 12
- E.I.A. RS-310-D

### Finish

- Door and sides of body have a smooth #4 brushed finish

### Accessories

- Full and half panels
- Side and swing panels
- Channel mounting hardware
- Equipment rack mounts
- Touch-up paint
- See Accessories section

### Construction

- Enclosure and door are fabricated from (12) gauge, Type 304 or Type 316L stainless steel
- All continuous welded seams are finished smooth
- Door is secured to the body with removable concealed stainless hinges and easy to remove stainless steel door clamps on three (3) sides
- Modern bevel profile on hinge side of enclosure door
- Door has a seamless poured in-place gasket
- Ground stud provided on door and body
- Each door has a padlock hasp with sealing hole provision
- Print pocket provided
- Large lifting eyebolts are supplied
- Hole seals are provided to seal enclosure after removal of lifting eyebolts
- Mounting channels are welded inside for locating panels or rack mount equipment along enclosure depth
- A variety of optional panels and accessories are available (see accessories pages 242-253)

### Discount Schedule: C2

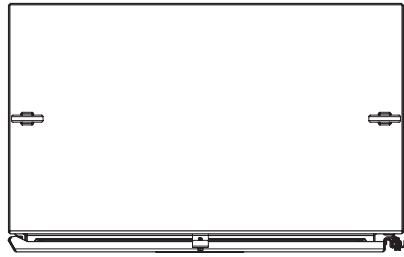
### Subclass: U40

Enclosure Catalog Number		Enclosure Size Height x Width x Depth A x B x C		D	
Type 304	Type 316L	in.	mm	in.	mm
722518-4XSFS	722518-4XSS6FS	72.00 x 25.00 x 18.00	1829 x 635 x 457	29.12	740
723118-4XSFS	723118-4XSS6FS	72.00 x 31.00 x 18.00	1829 x 787 x 457	29.12	740
723718-4XSFS	723718-4XSS6FS	72.00 x 37.00 x 18.00	1829 x 940 x 457	29.12	740
722524-4XSFS	722524-4XSS6FS	72.00 x 25.00 x 24.00	1829 x 635 x 610	29.12	740
723124-4XSFS	723124-4XSS6FS	72.00 x 31.00 x 24.00	1829 x 787 x 610	29.12	740
723724-4XSFS	723724-4XSS6FS	72.00 x 37.00 x 24.00	1829 x 940 x 610	29.12	740

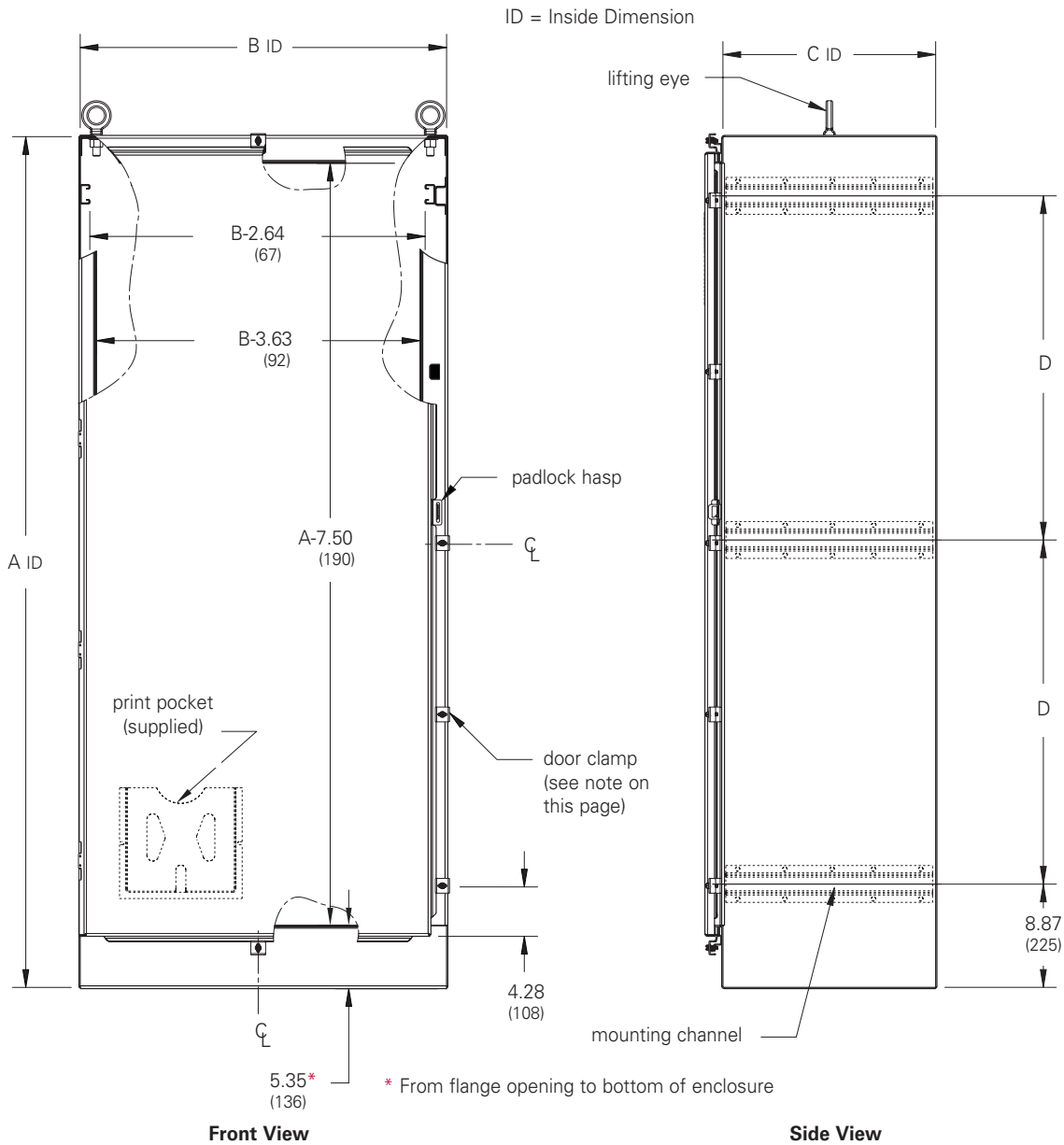
**Notes:** We can provide special sizes, finishes and other modifications. Consult the factory for your special requirements.

# Type 4X Panel Enclosures

## Ground-Mount Enclosures Type 4X Single-Door Free-Standing Catalog Number and Illustration Sheet



Top View



Type 4X Panel Enclosures

**Notes:** Clamps are mounted along three sides of the enclosure door. Spacing between clamps along side opposite the hinge does not exceed 15 inches. Two lifting eyes are furnished on each enclosure. Dimensions are in inches. Millimeters shown are for reference only. Data subject to change without notice.

# Type 4X Panel Enclosures

## Ground-Mount Enclosures Type 4X Single-Door Free-Standing with Quarter-Turn Latches Data Sheet and Catalog Number



### Application

- Houses electrical controls and instruments
- Easy access panels or rack mounts for housing optional equipment
- Intended for indoor or outdoor use
- Protects against corrosion, windblown dust and rain, splashing water and hose directed water

### Standards

- UL 508A listed, Type 3R, Type 4, Type 4X, Type 12
- CSA C22.2 No.94 certified, Type 3R, Type 4, Type 4X, Type 12
- Conforms to NEMA standard for Type 3, Type 3R, Type 4, Type 4X, Type 12
- E.I.A. RS-310-D

### Finish

- Door and sides of body have a smooth #4 brushed finish

### Accessories

- Full and half panels
- Side and swing panels
- Panel Support Kit
- Panel Lifting Kit
- Channel mounting hardware
- Equipment Rack Mounts
- Lights
- Window kits

### Construction

- Enclosure body (12) gauge and door (14) gauge are fabricated from Type 304 stainless steel
- All continuous welded seams are finished smooth
- Door is secured to the body with removable concealed stainless hinges and quarter-turn flush latches on three (3) sides
- Modern bevel profile on both sides of enclosure door
- Door has a seamless poured in-place gasket
- Formed lip around enclosure opening diverts liquids and contaminants
- Ground stud provided on door and body
- Print pocket provided
- Mounting channels are welded inside for locating panels or rack-mount equipment along enclosure depth
- Provision for mounting fluorescent light
- Large lifting eyebolts
- Hole seals are provided to seal enclosure after removal of lifting eyebolts

### Discount Schedule: C2

### Subclass: U42

Enclosure Catalog Number	Enclosure Size Height x Width x Depth A x B x C		D	
	in.	mm	in.	mm
722418-4XSFSQT	72.00 x 24.00 x 18.00	1829 x 609 x 457	29.12	739
723024-4XSFSQT	72.00 x 30.00 x 24.00	1829 x 762 x 609	29.12	739
723624-4XSFSQT	72.00 x 36.00 x 24.00	1829 x 914 x 609	29.12	739

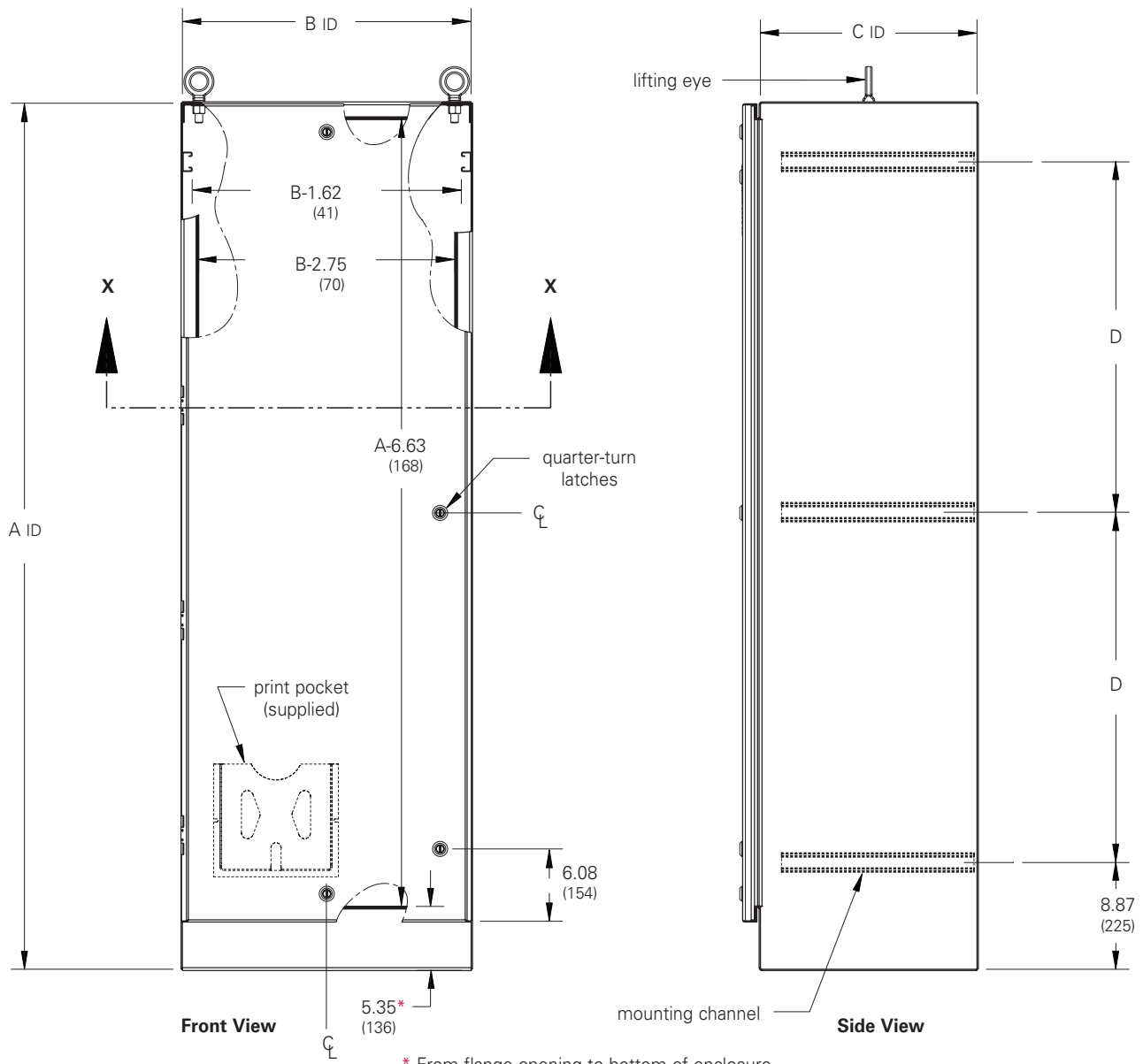
**Notes:** We can provide special sizes, finishes and other modifications. Consult the factory for your special requirements. Dimensions are in inches. Millimeters shown are for reference only. Data subject to change without notice.



# Type 4X Panel Enclosures

## Ground-Mount Enclosures Type 4X Single-Door Free-Standing with Quarter-Turn Latches Illustration Sheet

ID = Inside Dimension



\* From flange opening to bottom of enclosure

**Notes:** Two lifting eyes are furnished on each enclosure.  
Dimensions are in inches. Millimeters shown are for reference only. Data subject to change without notice.

# Type 4X Panel Enclosures

## Ground-Mount Enclosures Type 4X Single-Door Free-Standing with 3-Point Locking Data Sheet



### Accessories

- Full and half panels
- Side and swing panels
- Panel Support Kit
- Panel Lifting Kit
- Channel mounting hardware
- Equipment Rack Mounts
- Lights
- Window kits
- Replacement handle (black), BD-PKHB, see page 429

### Construction

- Enclosure and doors are fabricated from Type 304 stainless steel (for gauge see table)
- All continuous welded seams are finished smooth
- Door is secured to the body with removable concealed stainless hinges and a center locating 3-point key-locking and padlock handle mechanism
- Modern bevel profile on both sides of enclosure door
- Additional quarter-turn latches provided top and bottom on all enclosure doors
- Door has a seamless poured in-place gasket
- Formed lip around enclosure opening diverts liquids and contaminants
- Ground stud provided on door and body
- Print pocket provided
- Mounting channels are welded inside for locating panels or rack-mount equipment along enclosure depth
- Provision for mounting fluorescent light
- Large lifting eyebolts
- Hole seals are provided to seal enclosure after removal of lifting eyebolts

### Application

- Houses electrical controls and instruments
- Easy access panels or rack mounts for housing optional equipment
- Intended for indoor or outdoor use
- Protects against corrosion, windblown dust and rain, splashing water and hose directed water

### Discount Schedule: C2 Subclass: U43

### Standards

- UL 508A listed, Type 3R, Type 4, Type 4X, Type 12
- CSA C22.2 No.94 certified, Type 3R, Type 4, Type 4X, Type 12
- Conforms to NEMA standard for Type 3, Type 3R, Type 4, Type 4X, Type 12
- E.I.A. RS-310-D

### Finish

- Door and sides of body have a smooth #4 brushed finish

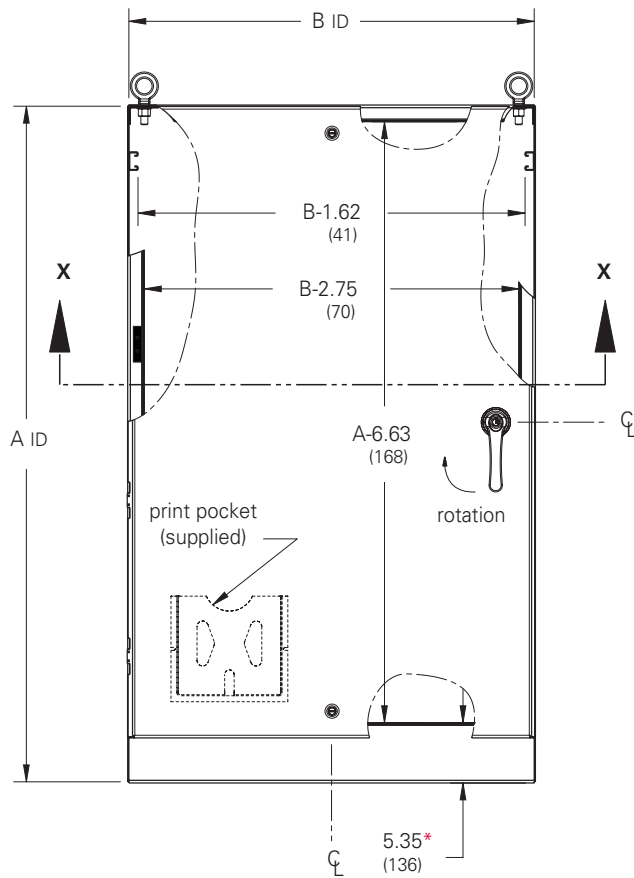
Enclosure Catalog Number	Enclosure Size Height x Width x Depth A x B x C		Body/Door Gauge	D	
	in.	mm		in.	mm
602418-4XSFS3PT	60.00	24.00 x 18.00	12/12	23.12	587
722418-4XSFS3PT	72.00	24.00 x 18.00	12/12	29.12	739
723018-4XSFS3PT	72.00	30.00 x 18.00	12/12	29.12	739
723618-4XSFS3PT	72.00	36.00 x 18.00	12/12	29.12	739
902420-4XSFS3PT	90.00	24.00 x 20.00	12/10	38.12	968
903620-4XSFS3PT	90.00	36.00 x 20.00	12/10	38.12	968
603624-4XSFS3PT	60.00	36.00 x 24.00	12/12	23.12	587
722424-4XSFS3PT	72.00	24.00 x 24.00	12/12	29.12	739
723024-4XSFS3PT	72.00	30.00 x 24.00	12/12	29.12	739
723624-4XSFS3PT	72.00	36.00 x 24.00	12/12	29.12	739
903624-4XSFS3PT	90.00	36.00 x 24.00	12/10	38.12	968
723630-4XSFS3PT	72.00	36.00 x 30.00	12/12	29.12	739
723636-4XSFS3PT	72.00	36.00 x 36.00	12/12	29.12	739
903636-4XSFS3PT	90.00	36.00 x 36.00	12/10	38.12	968

**Notes:** We can provide special sizes, finishes and other modifications. Consult the factory for your special requirements. Dimensions are in inches. Millimeters shown are for reference only. Data subject to change without notice.

# Type 4X Panel Enclosures

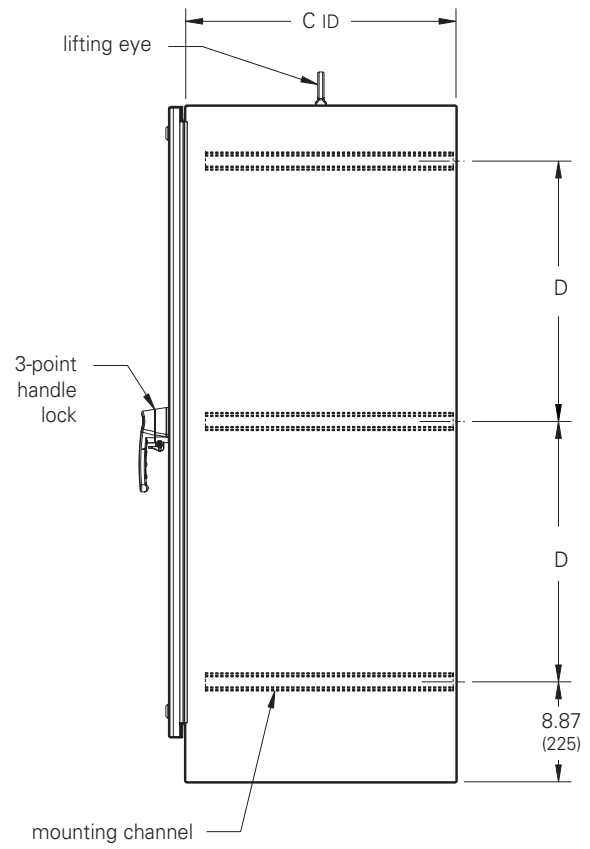
## Ground-Mount Enclosures Type 4X Single-Door Free-Standing with 3-Point Locking Illustration Sheet and Catalog Number

ID = Inside Dimension

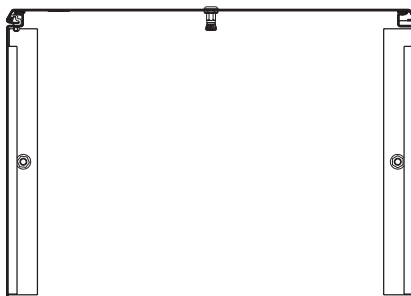


Front View

\* From flange opening to bottom of enclosure



Side View



Section X-X

**Notes:** Four lifting eyes are furnished when C dimension is 30" (762 mm).  
Dimensions are in inches. Millimeters shown are for reference only. Data subject to change without notice.  
Additional quarter-turn latch provided on top and bottom of all enclosures.

# Type 4X Panel Enclosures

## Ground-Mount Enclosures

### Type 4X Single-Door Dual Access Free-Standing with 3-Point Locking

#### Data Sheet



#### Application

- Houses electrical controls and instruments
- Easy access panels or rack mounts for housing optional equipment
- Intended for indoor or outdoor use
- Protects against corrosion, windblown dust and rain, splashing water and hose directed water

#### Standards

- UL 508A listed, Type 3R, Type 4, Type 4X, Type 12
- CSA C22.2 No.94 certified, Type 3R, Type 4, Type 4X, Type 12
- Conforms to NEMA standard for Type 3, Type 3R, Type 4, Type 4X, Type 12
- E.I.A. RS-310-D

#### Finish

- Door and sides of body have a smooth #4 brushed finish

#### Accessories

- Full and half panels
- Side and swing panels
- Panel Support Kit
- Panel Lifting Kit
- Channel mounting hardware
- Equipment Rack Mounts
- Lights
- Window kits
- Replacement handle (black), BD-PKHB, see page 429

#### Construction

- Enclosure and doors are fabricated from Type 304 stainless steel (for gauge see table)
- All continuous welded seams are finished smooth
- Doors are secured to the body with removable concealed hinges and a center locating 3-point key-locking and padlock handle mechanism
- Modern bevel profile on both sides of enclosure door
- Additional quarter-turn latches provided top and bottom on all enclosure doors
- Doors have a seamless poured in-place gasket
- Formed lip around enclosure openings to divert liquids and contaminants
- Dual-access construction available for back-to-back panel and equipment mounting
- Ground studs provided on doors and body
- Print pockets provided
- Mounting channels are welded inside for locating panels or rack-mount equipment along enclosure depth
- Provisions for mounting fluorescent light
- Large lifting eyebolts
- Hole seals are provided to seal enclosure after removal of lifting eyebolts

#### Discount Schedule: C2

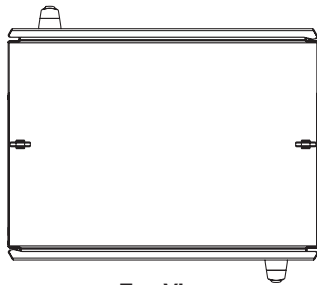
#### Subclass: U43

**Notes:** We can provide special sizes, finishes and other modifications. Consult the factory for your special requirements. Dimensions are in inches. Millimeters shown are for reference only. Data subject to change without notice.

# Type 4X Panel Enclosures

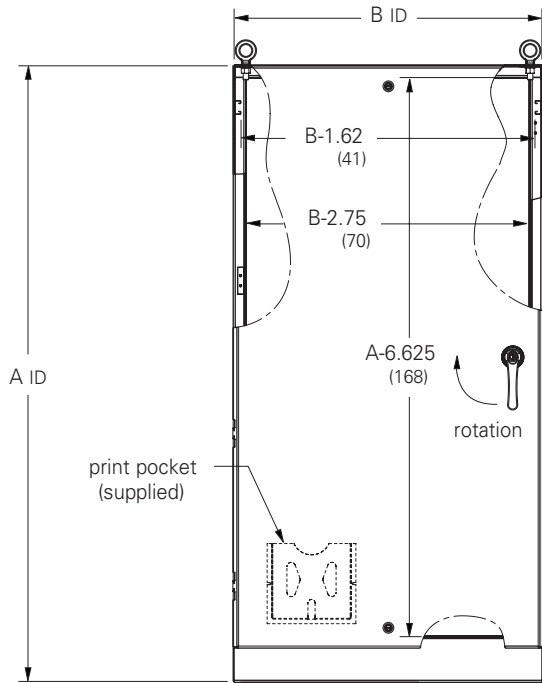
## Ground-Mount Enclosures Type 4X Single-Door Dual Access Free-Standing with 3-Point Locking Illustration Sheet and Catalog Number

Enclosure Catalog Number	Enclosure Size Height x Width x Depth A x B x C		Body/Door Gauge	D	
	in.	mm		in.	mm
722424-4XSFSDA3PT	72.00 x 24.00 x 24.00	1829 x 609 x 609	12/12	29.12	739
723024-4XSFSDA3PT	72.00 x 30.00 x 24.00	1829 x 762 x 609	12/12	29.12	739
723624-4XSFSDA3PT	72.00 x 36.00 x 24.00	1829 x 914 x 609	12/12	29.12	739
903624-4XSFSDA3PT	90.00 x 36.00 x 24.00	2286 x 914 x 609	12/10	38.12	968
722430-4XSFSDA3PT	72.00 x 24.00 x 30.00	1829 x 609 x 762	12/12	29.12	739
722436-4XSFSDA3PT	72.00 x 24.00 x 36.00	1829 x 609 x 914	12/12	29.12	739
723636-4XSFSDA3PT	72.00 x 36.00 x 36.00	1829 x 914 x 914	12/12	29.12	739
903636-4XSFSDA3PT	90.00 x 36.00 x 36.00	2286 x 914 x 914	12/10	38.12	968



Top View

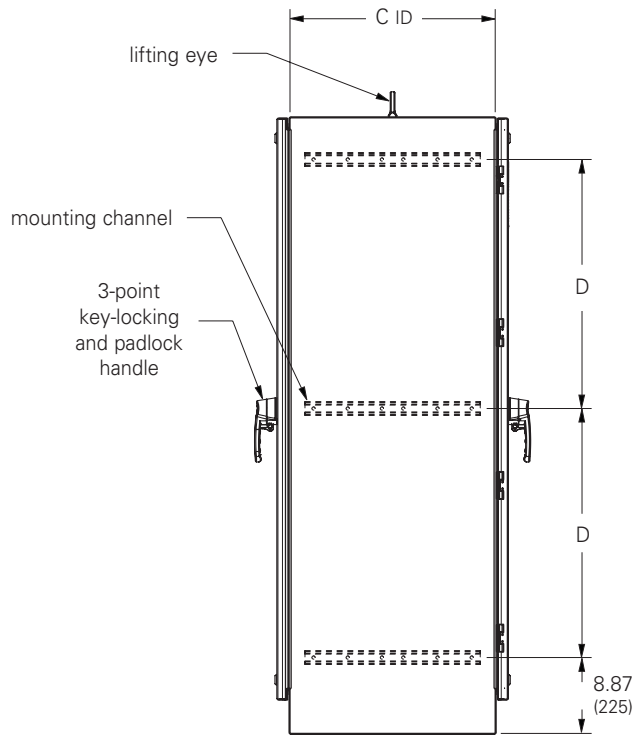
ID = Inside Dimension



5.35\*  
(136)

Front View

\* From flange opening to bottom of enclosure



Side View

**Notes:** Four lifting eyes are furnished when C dimension is 30" (762 mm) or larger.  
Dimensions are in inches. Millimeters shown are for reference only. Data subject to change without notice.  
Additional quarter-turn latch provided on top and bottom of all enclosures.

Type 4X Panel Enclosures

# Type 4X Panel Enclosures

## Ground-Mount Enclosures Type 4X Double-Door Free-Standing with 3-Point Locking Data Sheet



### Application

- Houses electrical controls and instruments
- Easy access panels or rack mounts for housing optional equipment
- Intended for indoor or outdoor use
- Protects against corrosion, windblown dust and rain, splashing water and hose directed water

### Standards

- UL 508A listed, Type 3R, Type Type 4, Type 4X, Type 12
- CSA C22.2 No.94 certified, Type 3R, Type 4, Type 4X, Type 12
- Conforms to NEMA standard for Type 3, Type 3R, Type 4, Type 4X, Type 12
- E.I.A. RS-310-D

### Finish

- Doors and sides of body have a smooth #4 brushed finish

### Accessories

- Full and half panels
- Side and swing panels
- Panel Support Kit
- Panel Lifting Kit
- Channel mounting hardware
- Equipment Rack Mounts
- Lights
- Window kits
- Replacement handle (black), BD-PKHB, see page 429

### Construction

- Enclosure and doors are fabricated from Type 304 stainless steel (for gauge see table)
- All continuous welded seams are finished smooth
- Doors are secured to the body with removable concealed stainless hinges and a center locating 3-point key-locking and padlock handle mechanism
- Modern bevel profile on both sides of enclosure doors
- Additional quarter-turn latches provided top and bottom on all enclosure doors
- Doors have a seamless poured in-place gasket
- Formed lip around enclosure openings to divert liquids and contaminants
- Ground studs provided on doors and body
- Removable centerpost for easy panel installation
- Print pockets provided
- Mounting channels are welded inside for locating panels or rack-mount equipment along enclosure depth
- Provisions for mounting fluorescent light
- Large lifting eyebolts
- Hole seals are provided to seal enclosure after removal of lifting eyebolts

### Discount Schedule: C2

### Subclass: U43

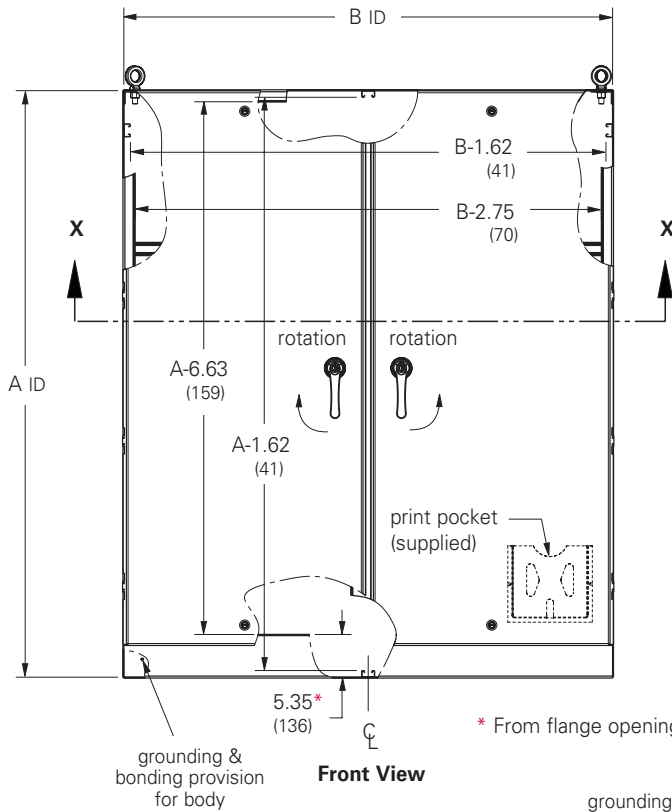
Enclosure Catalog Number	Enclosure Size Height x Width x Depth A x B x C		Body/Door Gauge	D	
	in.	mm		in.	mm
604818-4XSFSD3PT	60.00 x 48.00 x 18.00	1524 x 1219 x 457	12/12	23.12	587
724818-4XSFSD3PT	72.00 x 48.00 x 18.00	1829 x 1219 x 457	12/12	29.12	739
726018-4XSFSD3PT	72.00 x 60.00 x 18.00	1829 x 1524 x 457	12/12	29.12	739
727218-4XSFSD3PT	72.00 x 72.00 x 18.00	1829 x 1829 x 457	12/12	29.12	739
904820-4XSFSD3PT	90.00 x 48.00 x 20.00	2286 x 1219 x 508	12/10	38.12	968
907220-4XSFSD3PT	90.00 x 72.00 x 20.00	2286 x 1829 x 508	12/10	38.12	968
724824-4XSFSD3PT	72.00 x 48.00 x 24.00	1829 x 1219 x 609	12/12	29.12	739
726024-4XSFSD3PT	72.00 x 60.00 x 24.00	1829 x 1524 x 609	12/12	29.12	739
727224-4XSFSD3PT	72.00 x 72.00 x 24.00	1829 x 1829 x 609	12/12	29.12	739
907224-4XSFSD3PT	90.00 x 72.00 x 24.00	2286 x 1829 x 609	12/10	38.12	968
726036-4XSFSD3PT	72.00 x 60.00 x 36.00	1829 x 1524 x 914	12/12	29.12	739
907236-4XSFSD3PT	90.00 x 72.00 x 36.00	2286 x 1829 x 914	12/10	38.12	968

**Notes:** We can provide special sizes, finishes and other modifications. Consult the factory for your special requirements.

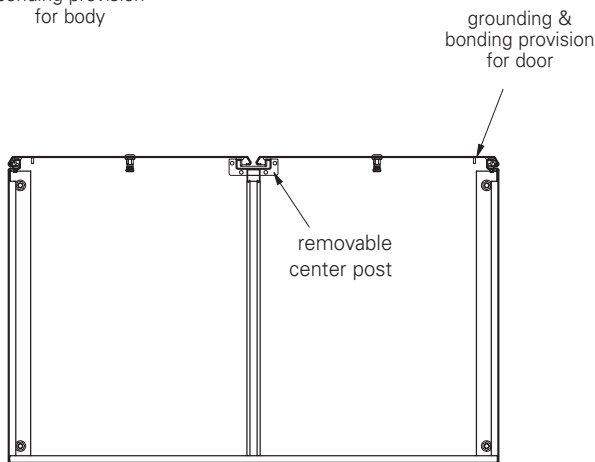
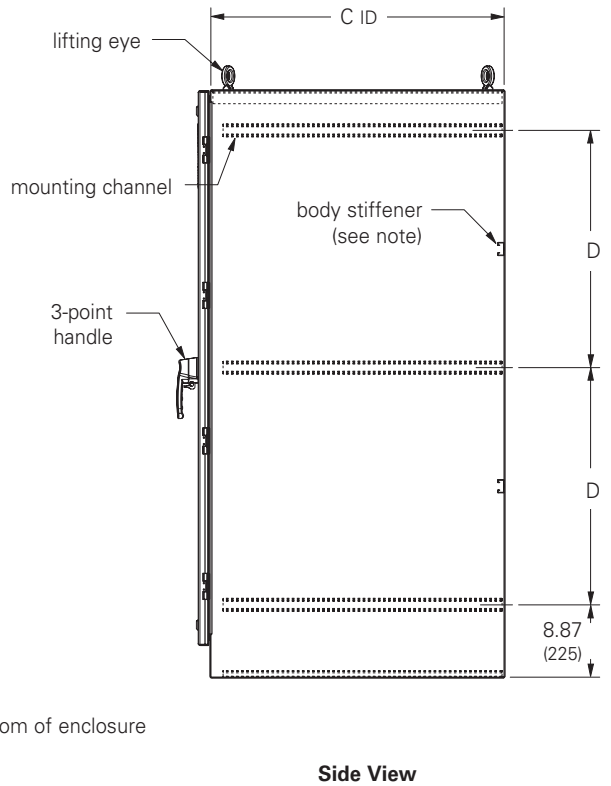
# Type 4X Panel Enclosures

## Ground-Mount Enclosures Type 4X Double-Door Free-Standing with 3-Point Locking Illustration Sheet and Catalog Number

ID = Inside Dimension



\* From flange opening to bottom of enclosure



**Notes:** Four lifting eyes are furnished when C dimension is 24" (609 mm) or larger.  
Dimensions are in inches. Millimeters shown are for reference only. Data subject to change without notice.  
Additional quarter-turn latch provided on top and bottom of all enclosures.

# Type 4X Panel Enclosures

## Ground-Mount Enclosures Type 4X Double-Door Dual Access Free-Standing with 3-Point Locking Data Sheet



### Application

- Houses electrical controls and instruments
- Easy access panels or rack mounts for housing optional equipment
- Intended for indoor or outdoor use
- Protects against corrosion, windblown dust and rain, splashing water and hose directed water

### Standards

- UL 508A listed, Type 3R, 4, 4X, 12
- CSA C22.2 No.94 certified, Type 3R, 4, 4X, 12
- Conforms to NEMA standard for Type 3, 3R, 4, 4X, 12
- E.I.A. RS-310-D

### Finish

- Doors and sides of body have a smooth #4 brushed finish

### Accessories

- Full and half panels
- Side and swing panels
- Panel Support Kit
- Panel Lifting Kit
- Channel mounting hardware
- Equipment Rack Mounts
- Lights
- Window kits
- Replacement handle (black), BD-PKHB, see page 429

### Construction

- Enclosure and doors are fabricated from Type 304 stainless steel (for gauge see table)
- All continuous welded seams are finished smooth
- Doors are secured to the body with removable concealed stainless hinges and a center locating 3-point key-locking and padlock handle mechanism
- Modern bevel profile on both sides of enclosure doors
- Additional quarter-turn latches provided top and bottom on all enclosure doors
- Doors have a seamless poured in-place gasket
- Formed lip around enclosure openings to divert liquids and contaminants
- Ground studs provided on doors and body
- Removable centerpost for easy panel installation
- Dual-access construction available for back-to-back panel and equipment mounting
- Print pockets provided
- Mounting channels are welded inside for locating panels or rack-mount equipment along enclosure depth
- Provisions for mounting fluorescent light
- Large lifting eyebolts
- Hole seals are provided to seal enclosure after removal of lifting eyebolts

### Discount Schedule: C2

### Subclass: U43

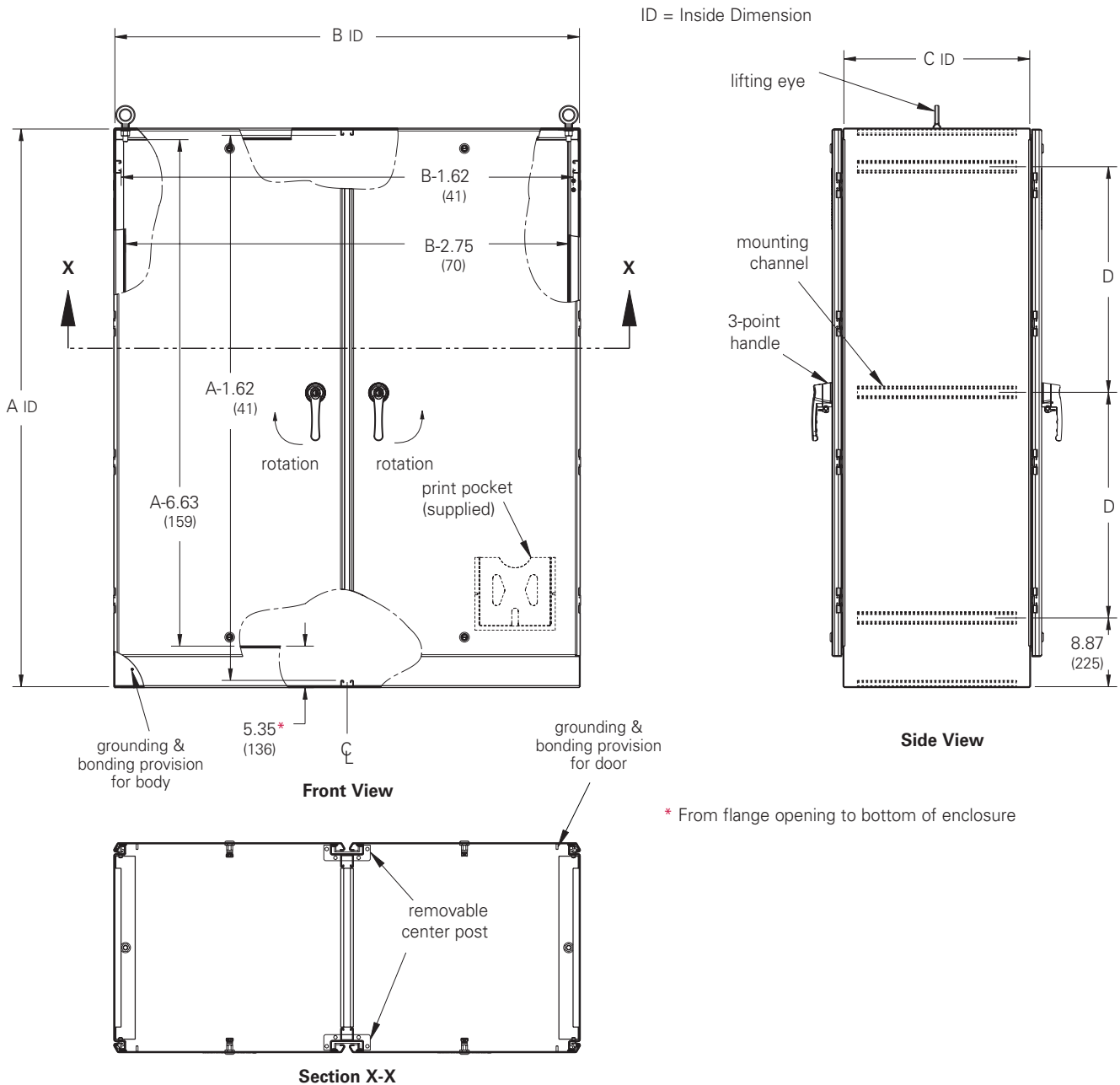
**Notes:** We can provide special sizes, finishes and other modifications. Consult the factory for your special requirements.



# Type 4X Panel Enclosures

## Ground-Mount Enclosures Type 4X Double-Door Dual Access Free-Standing with 3-Point Locking Illustration Sheet and Catalog Number

Enclosure Catalog Number	Enclosure Size Height x Width x Depth A x B x C		Body/Door Gauge in.	D	
	in.	mm		in.	mm
724824-4XSFSDDA3PT	72.00	48.00 x 24.00	1829 x 1219 x 609	12/12	29.12 739
726024-4XSFSDDA3PT	72.00	60.00 x 24.00	1829 x 1524 x 609	12/12	29.12 739
727224-4XSFSDDA3PT	72.00	72.00 x 24.00	1829 x 1829 x 609	12/12	29.12 739
907224-4XSFSDDA3PT	90.00	72.00 x 24.00	2286 x 1829 x 609	12/10	38.12 968
726036-4XSFSDDA3PT	72.00	60.00 x 36.00	1829 x 1524 x 609	12/12	29.12 739



Type 4X Panel Enclosures

**Notes:** Four lifting eyes are furnished when C dimension is 30" (762 mm) or larger.  
Dimensions are in inches. Millimeters shown are for reference only. Data subject to change without notice.  
Additional quarter-turn latch provided on top and bottom of all enclosures.

# Type 4X Panel Enclosures

## Ground-Mount Enclosures Type 4X Multi-Door Free-Standing with 3-Point Locking Data Sheet



### Application

- Houses electrical controls and instruments
- Intended for indoor or outdoor use where a corrosive environment exists
- Protects against corrosion, circulating and windblown dust and rain, falling dirt, splashing water and hose directed water

### Standards

- UL 508A, Type 4X
- CSA C22.2 No.94, Type 4X
- NEMA 250, Type 4X

### Accessories

- Channel mounting hardware
- Touch-up paint
- Replacement handle, BD-PKHB, (see page 428)
- See Accessories section

### Finish

- Door and sides of body have a smooth #4 brushed finish

### Construction

- Enclosure and door are fabricated from code gauge stainless steel Type 304 (see table)
- All continuous welded seams are finished smooth
- Doors are secured to the body with removable concealed hinges and a center locating 3-point key-locking and padlock handle mechanism
- Additional quarter turn latches provided at the top and bottom on all enclosure doors
- Modern bevel profile on hinge side of enclosure doors
- Doors have an oil-resistant gasket
- Ground stud provided on doors and body
- Print pockets provided
- Heavy steel stiffeners welded across the back provide enclosure rigidity
- Lighting mounting channel provided
- Large lifting eyebolts are supplied
- Three styles of enclosure construction:
  1. Three-door: single and double-door section
  2. Four-door: (2) double door sections
  3. Five-door: single and (2) double-door sections
- Panels have a white enamel finish

### Discount Schedule: C2

### Subclass: DMM

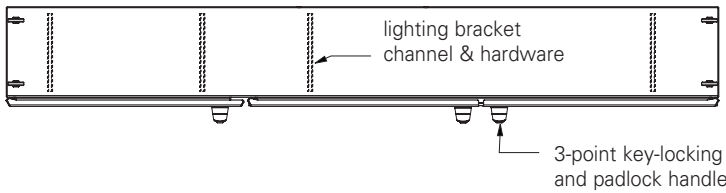
**Notes:** We can provide special sizes, finishes and other modifications. Consult the factory for your special requirements.

# Type 4X Panel Enclosures

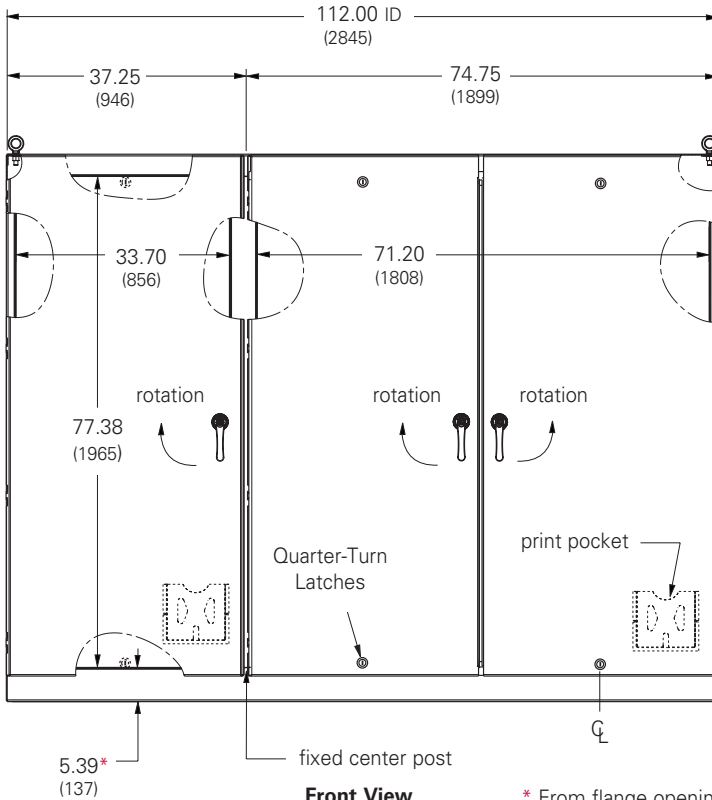
## Ground-Mount Enclosures Type 4X Three-Door Free-Standing with 3-Point Locking Illustration Sheet and Catalog Number

Enclosure Catalog Number	Enclosure Size Height x Width x Depth		Body/Door Gauge	Panel A Size Height x Width		Panel B Size Height x Width		
	in.	mm		in.	mm	in.	mm	
8611214-4XSFS	86.00	112.00 x 14.00	2184 x 2845 x 356	10/12	78.00 x 33.00	1981 x 838	78.00 x 70.00	1981 x 1778

Top View

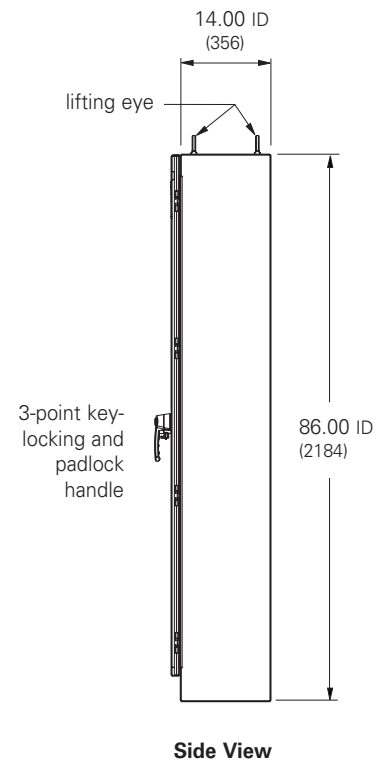


ID = Inside Dimension

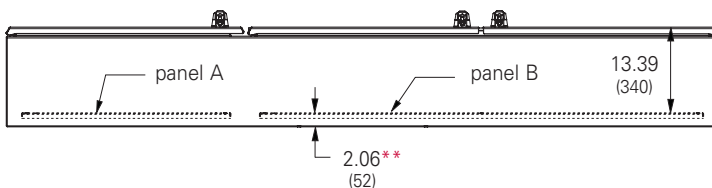


Front View

\* From flange opening to bottom of enclosure



Side View



Bottom View

\*\* From front of panel to inside of enclosure

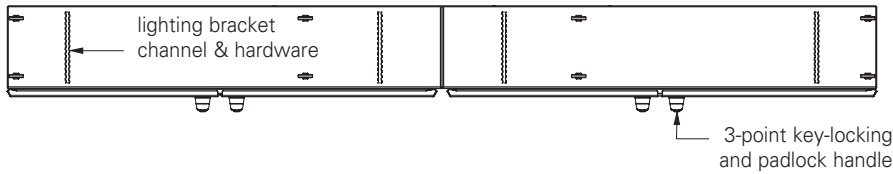
Notes: Dimensions are in inches. Millimeters shown are for reference only. Data subject to change without notice.

# Type 4X Panel Enclosures

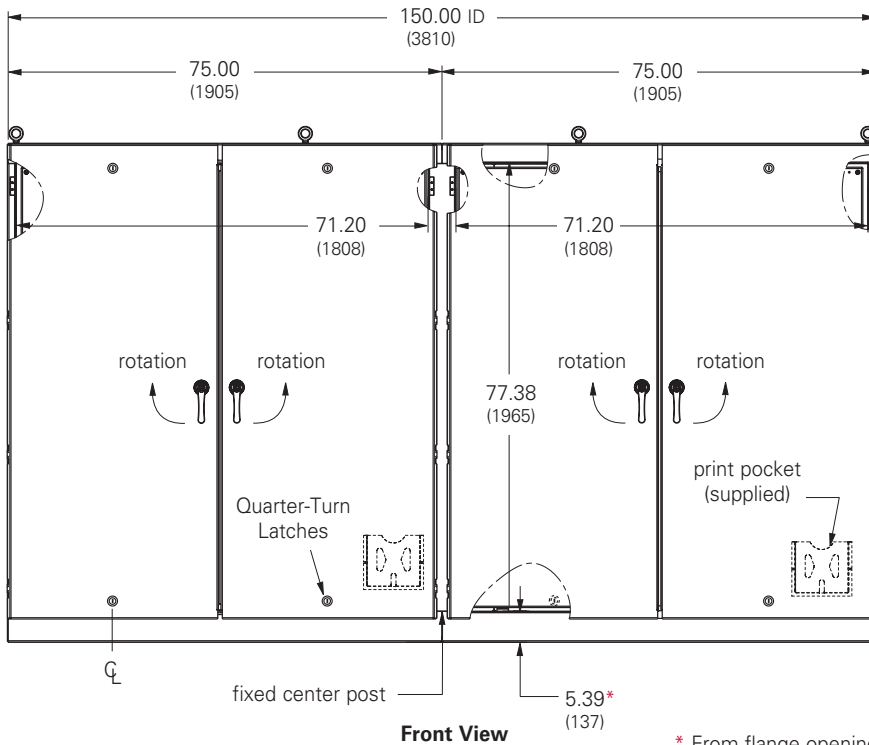
## Ground-Mount Enclosures Type 4X Four-Door Free-Standing with 3-Point Locking Illustration Sheet and Catalog Number

Enclosure Catalog Number	Enclosure Size Height x Width x Depth in. mm		Body/Door Gauge	Panel Size Height x Width in. mm	
8615014-4XSFS	86.00 x 150.00 x 14.00	2184 x 3810 x 356	10/12	78.00 x 70.00	1981 x 1778

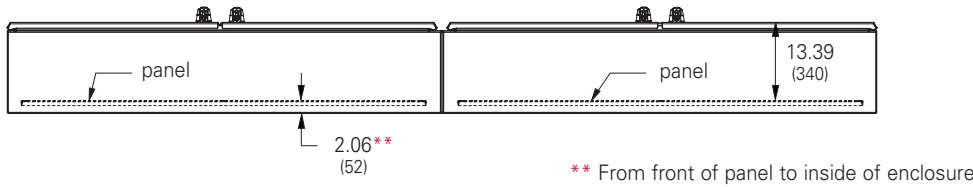
Top View



ID = Inside Dimension



Bottom View



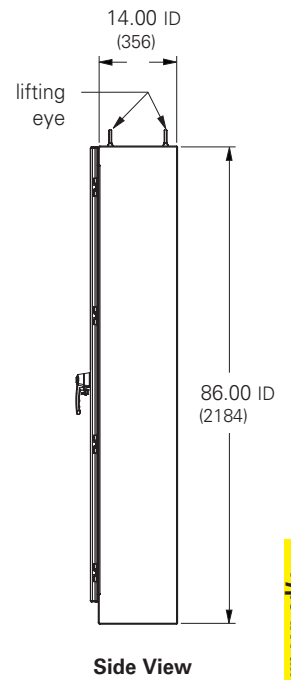
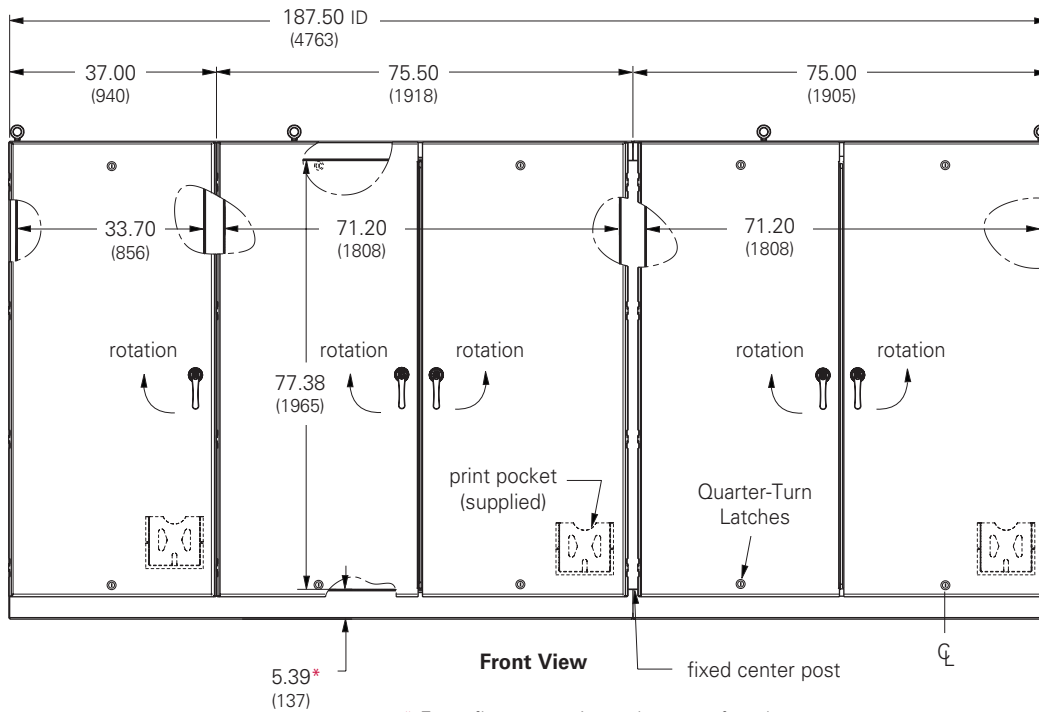
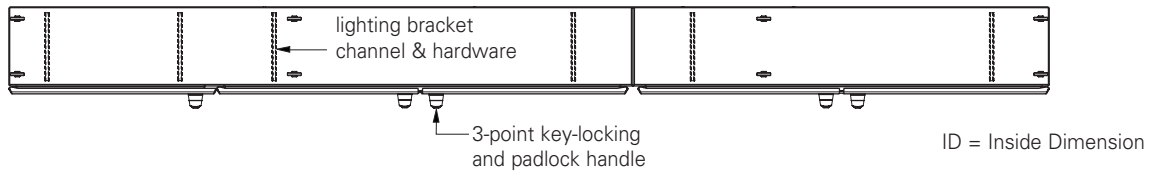
Notes: Dimensions are in inches. Millimeters shown are for reference only. Data subject to change without notice.

# Type 4X Panel Enclosures

## Ground-Mount Enclosures Type 4X Five-Door Free-Standing with 3-Point Locking Illustration Sheet and Catalog Number

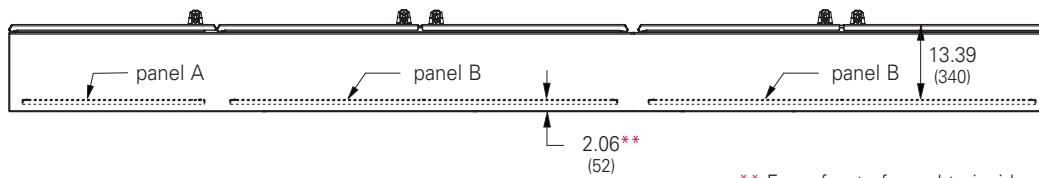
Enclosure Catalog Number	Enclosure Size Height x Width x Depth		Body/Door Gauge	Panel A Size Height x Width		Panel B Size Height x Width	
	in.	mm		in.	mm	in.	mm
8618714-4XSFS	86.00	187.50 x 14.00	10/12	78.00 x 33.00	1981 x 838	78.00 x 70.00	1981 x 1778

Top View



Front View

Side View



Bottom View

Notes: Dimensions are in inches. Millimeters shown are for reference only. Data subject to change without notice.

# Type 4X Panel Enclosures

## Ground-Mount Enclosures Type 4X Double-Door EnviroShield™ Free-Standing with 3-Point Locking Data Sheet



### Application

- Houses electrical controls and electrical instruments in harsh environments
- Provides quick and easy access indoors and out
- Protects against circulating dust, falling dirt, dripping non-corrosive liquids, rain, sleet, ice, splashing and hose directed water

### Standards

- UL 508A listed, Type 3R, 4, 4X, 12
- CSA C22.2 No.94 certified, Type 3R, 4, 4X, 12
- Conforms to NEMA standard for Type 3, 3R, 4, 4X, 12
- E.I.A. RS-310-D
- NSF Criteria C-2

### Finish

- Doors and sides of body have a smooth #4 brushed finish

### Accessories

- Full and half panels
- Side panels
- Swing panels
- Touch-up paint
- Mounting legs
- Rack mounting angles
- Swing out mounting frames
- Replacement handle, BD-PKHSS, see page 429
- See Accessories section

### Construction

- Enclosure and door are fabricated from (12) gauge Type 304 or Type 316L stainless steel
- All continuous welded seams are finished smooth
- Doors are secured to the body with removable concealed stainless hinges and a center locating 3-point key-locking and padlock stainless steel handle mechanism
- Modern bevel profile on both sides of enclosure doors
- Removable center post
- Doors have a fixed, neoprene IV2 closed cell gasket
- Ground stud provided on doors and body
- Print pocket provided
- Large bolt-on lifting eyes are mounted to the sides of the enclosure
- Mounting channels are welded inside for locating panels or rack mounts along enclosure depth, as well as mounting studs for fixed panels
- Swing panels, single full and single half panels can be installed in double-door enclosures when the center post is used
- A variety of optional panels and accessories are available, (see pages 242 - 253)

### Discount Schedule: C2

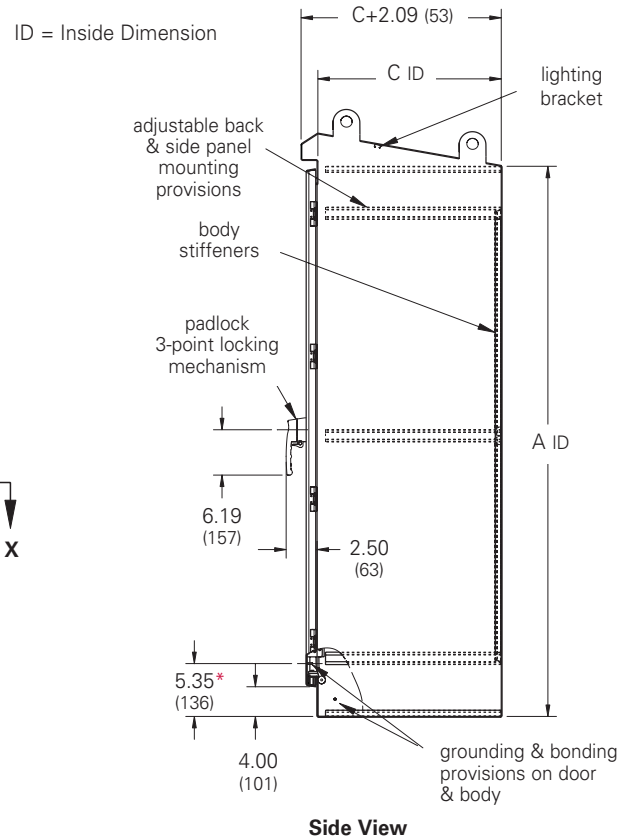
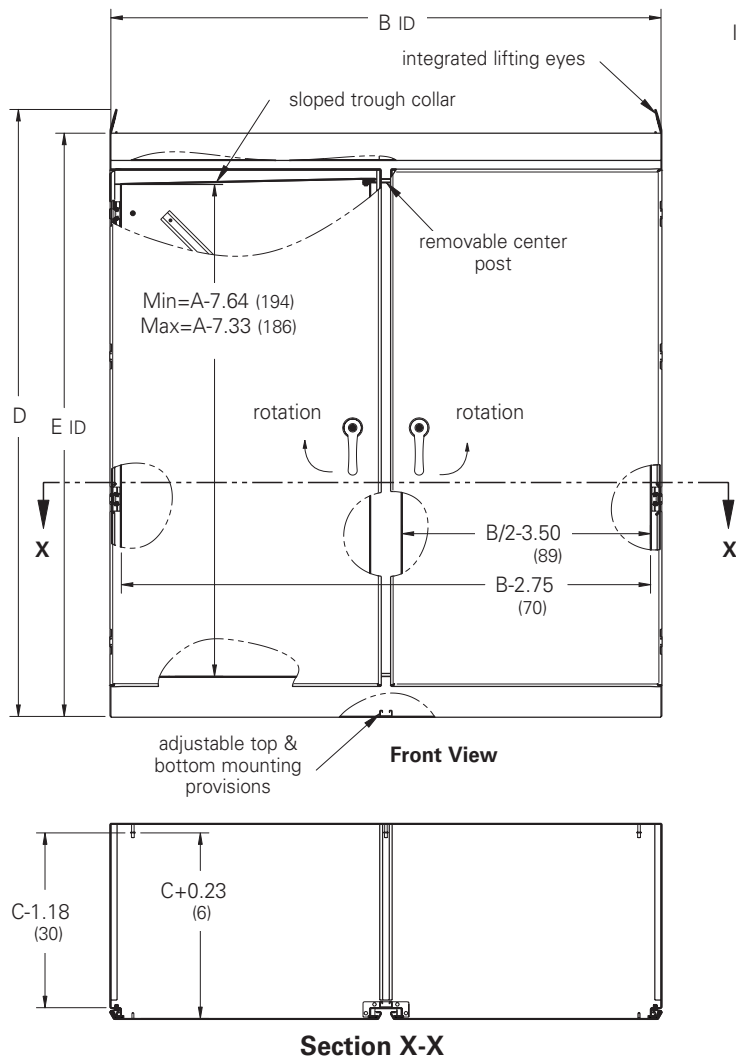
**Subclass: VS0 (Type 304)  
VT0 (Type 316L)**

**Notes:** We can provide special sizes, finishes and other modifications. Consult the factory for your special requirements.

# Type 4X Panel Enclosures

## Ground-Mount Enclosures Type 4X Double-Door EnviroShield™ Free-Standing with 3-Point Locking Illustration Sheet and Catalog Number

Enclosure Catalog Number		Enclosure Size Height x Width x Depth A x B x C		D		E	
Type 304 Stainless Steel	Type 316L Stainless Steel	in.	mm	in.	mm	in.	mm
ES-604812-4XS	ES-604812-4XSS6	60.00 x 48.00 x 12.00	1524 x 1219 x 305	65.87	1673	64.44	1637
ES-604816-4XS	ES-604816-4XSS6	60.00 x 48.00 x 16.00	1524 x 1219 x 406	65.87	1673	64.44	1637
ES-604820-4XS	ES-604820-4XSS6	60.00 x 48.00 x 20.00	1524 x 1219 x 508	65.87	1673	64.44	1637
ES-604824-4XS	ES-604824-4XSS6	60.00 x 48.00 x 24.00	1524 x 1219 x 609	65.87	1673	64.44	1637
ES-606012-4XS	ES-606012-4XSS6	60.00 x 60.00 x 12.00	1524 x 1524 x 305	65.87	1673	64.44	1637
ES-606016-4XS	ES-606016-4XSS6	60.00 x 60.00 x 16.00	1524 x 1524 x 406	65.87	1673	64.44	1637
ES-606020-4XS	ES-606020-4XSS6	60.00 x 60.00 x 20.00	1524 x 1524 x 508	65.87	1673	64.44	1637
ES-606024-4XS	ES-606024-4XSS6	60.00 x 60.00 x 24.00	1524 x 1524 x 609	67.87	1724	64.44	1637
ES-726012-4XS	ES-726012-4XSS6	72.00 x 60.00 x 12.00	1829 x 1524 x 305	77.87	1978	76.44	1941
ES-726016-4XS	ES-726016-4XSS6	72.00 x 60.00 x 16.00	1829 x 1524 x 406	77.87	1978	76.44	1941
ES-726020-4XS	ES-726020-4XSS6	72.00 x 60.00 x 20.00	1829 x 1524 x 508	77.87	1978	76.44	1941
ES-726024-4XS	ES-726024-4XSS6	72.00 x 60.00 x 24.00	1829 x 1524 x 609	77.87	1978	76.44	1941
ES-727212-4XS	ES-727212-4XSS6	72.00 x 72.00 x 12.00	1829 x 1829 x 305	77.87	1978	76.44	1941
ES-727216-4XS	ES-727216-4XSS6	72.00 x 72.00 x 16.00	1829 x 1829 x 406	77.87	1978	76.44	1941
ES-727220-4XS	ES-727220-4XSS6	72.00 x 72.00 x 20.00	1829 x 1829 x 508	77.87	1978	76.44	1941
ES-727224-4XS	ES-727224-4XSS6	72.00 x 72.00 x 24.00	1829 x 1829 x 609	79.87	2028	76.44	1941



\* From flange opening to bottom of enclosure

Type 4X Panel Enclosures

**Notes:** Dimensions are in inches. Millimeters shown are for reference only. Data subject to change without notice.

# Type 4X Panel Enclosures

## Free-Standing Enclosure Accessories Type 4X Single-Door Full and Half Panel Illustration Sheet and Catalog Number

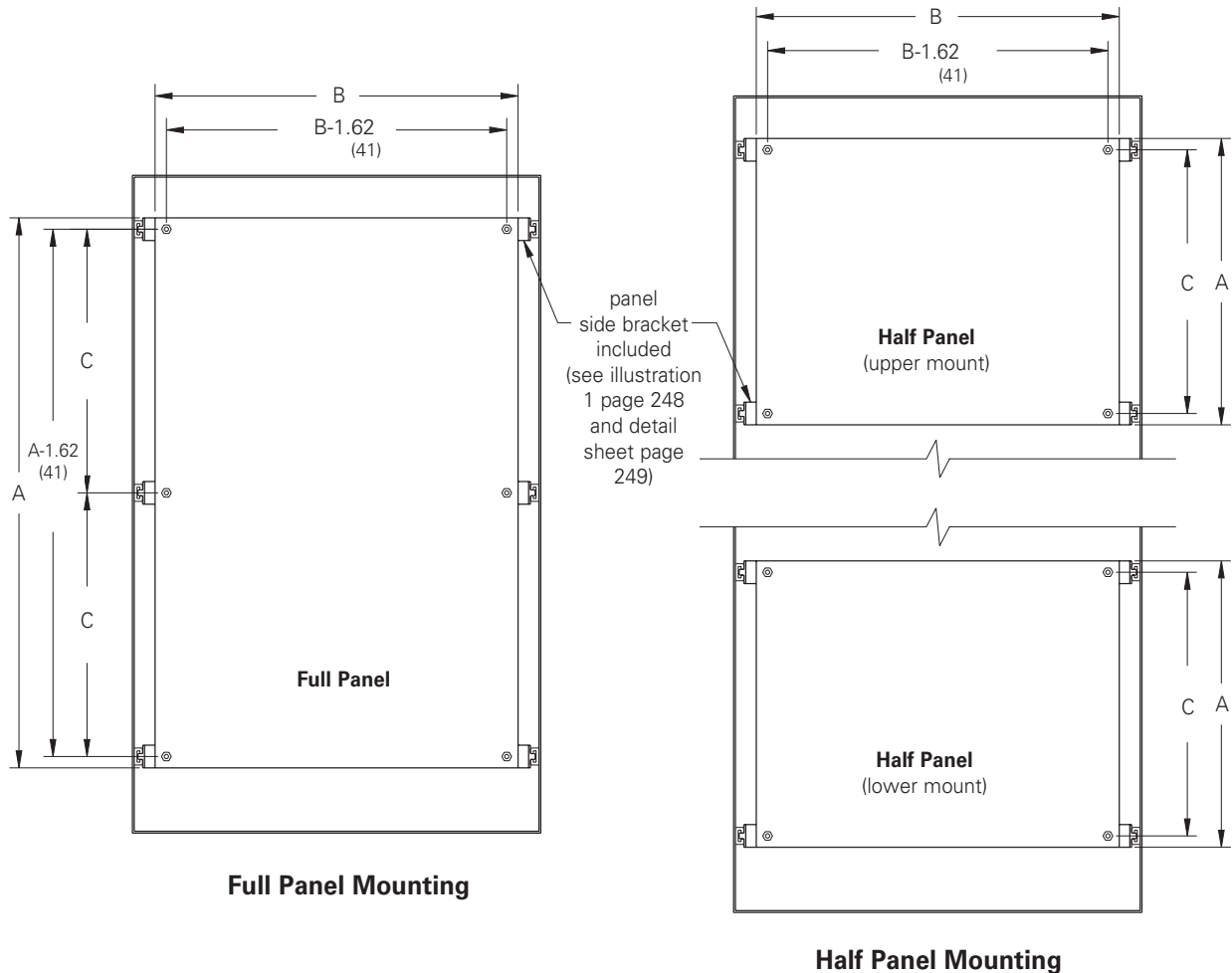
Discount Schedule: C2  
Subclass: DSD

### Full Swing Panel (Single-Door)

Panel Enclosure Catalog Number	Panel Size Height x Width		Fits					
	A x B		C		Height x Width			
	in.	mm	in.	mm	in.	mm		
AF6024P	47.87	19.87	1216	505	23.12	587	60.00 x 24.00	1524 x 610
AF6036P	47.87	31.87	1216	809	23.12	587	60.00 x 36.00	1524 x 914
AF7224P	59.87	19.87	1521	505	29.12	740	72.00 x 24.00	1829 x 610
AF7230P	59.87	25.87	1521	657	29.12	740	72.00 x 30.00	1829 x 762
AF7236P	59.87	31.87	1521	809	29.12	740	72.00 x 36.00	1829 x 914
AF9024P	77.87	19.87	1978	505	38.12	968	90.00 x 24.00	2286 x 610
AF9036P	77.87	31.87	1978	809	38.12	968	90.00 x 36.00	2286 x 914

### Half Swing Panel (Single-Door)

Panel Enclosure Catalog Number	Panel Size Height x Width		Fits					
	A x B		C		Height x Width			
	in.	mm	in.	mm	in.	mm		
AF6024HP	24.75	19.87	629	505	23.12	587	60.00 x 24.00	1524 x 610
AF6036HP	24.75	31.87	629	809	23.12	587	60.00 x 36.00	1524 x 914
AF7224HP	30.75	19.87	781	505	29.12	587	72.00 x 24.00	1829 x 610
AF7230HP	30.75	25.87	781	657	29.12	587	72.00 x 30.00	1829 x 762
AF7236HP	30.75	31.87	781	809	29.12	587	72.00 x 36.00	1829 x 914
AF9024HP	39.75	19.87	1010	505	38.12	968	90.00 x 24.00	2286 x 610
AF9036HP	39.75	31.87	1010	809	38.12	968	90.00 x 36.00	2286 x 914



**Note:** Full and Half panel for single-door, single and dual-access enclosures are (12) gauge steel and furnished with panel side brackets and all hardware necessary for channel and panel mounting. Half Panels can be mounted in either the upper or lower portion of the enclosure. Free standing design permits the panel to adjust along the depth of the enclosure. With dual-access enclosures, Full and Half panels can be mounted back-to-back.

**Notes:** Dimensions are in inches. Millimeters shown are for reference only. Data subject to change without notice.

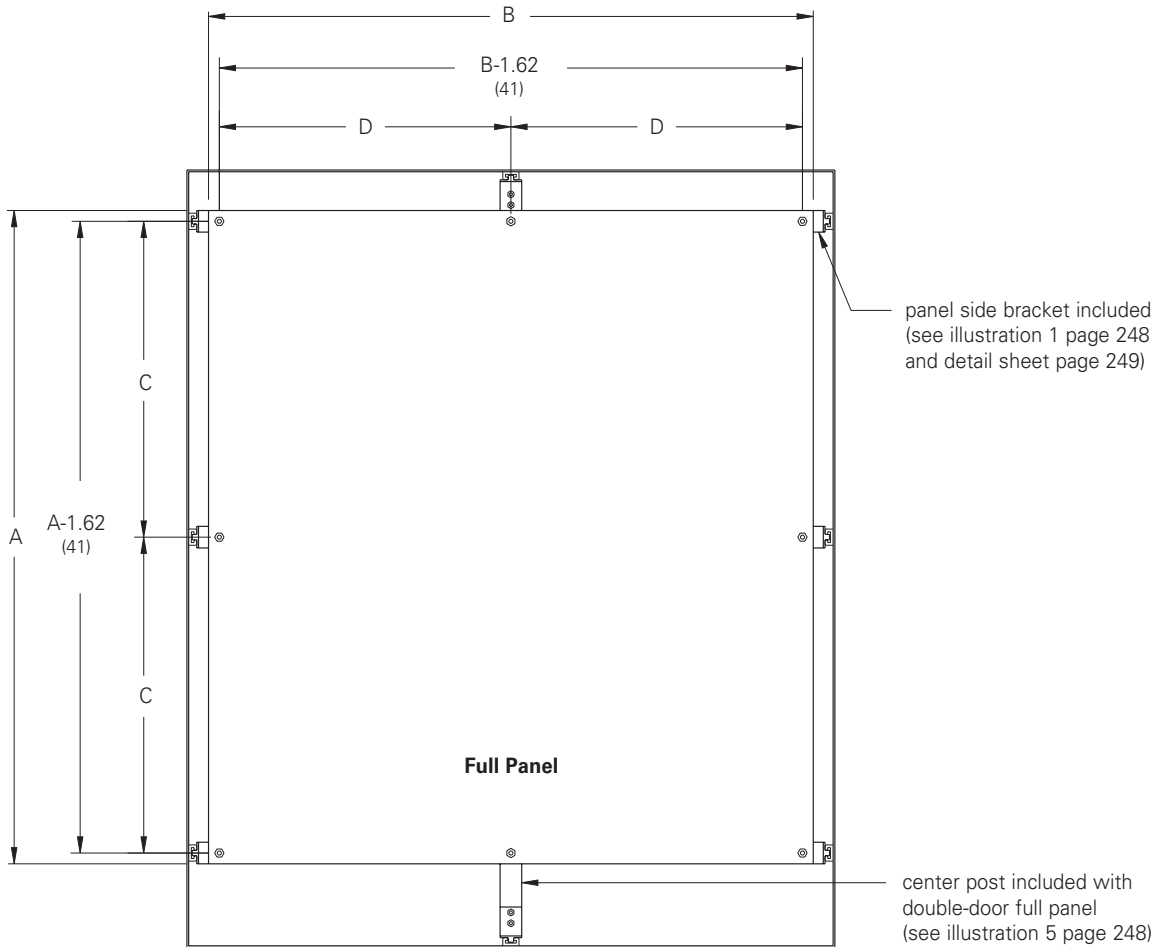


# Type 4X Panel Enclosures

## Free-Standing Enclosure Accessories Type 4X Double-Door Full Panel Illustration Sheet and Catalog Number

Discount Schedule: C2  
Subclass: DSD

Panel Catalog Number	Panel Size Height x Width A x B		C		D		Fits Enclosure Height x Width	
	in.	mm	in.	mm	in.	mm	in.	mm
AF6048P	47.87	1216	23.12	587	21.12	530	60.00	1524
AF6060P	47.87	1524	23.12	587	27.12	689	60.00	1524
AF7248P	59.87	1216	29.12	740	21.12	530	72.00	1829
AF7260P	59.87	1524	29.12	740	27.12	689	72.00	1829
AF7272P	59.87	1724	29.12	740	33.12	841	72.00	1829
AF9048P	77.87	1978	38.12	968	21.12	530	90.00	2286
AF9072P	77.87	1978	38.12	968	33.12	841	90.00	2286



### Full Panel Mounting

**Notes:** Full Panel for double-door, single and dual-access enclosures are (10) gauge steel and furnished with Panel Brackets, Center Post assembly, panel handle kit and all hardware necessary for channel and panel mounting. The Center Post assembly offers additional support of panel and equipment. Free-standing design permits the panel to adjust along the depth of the enclosure. With dual-access enclosures, Full and Half Panels can be mounted back-to-back.

**Notes:** Dimensions are in inches. Millimeters shown are for reference only. Data subject to change without notice.

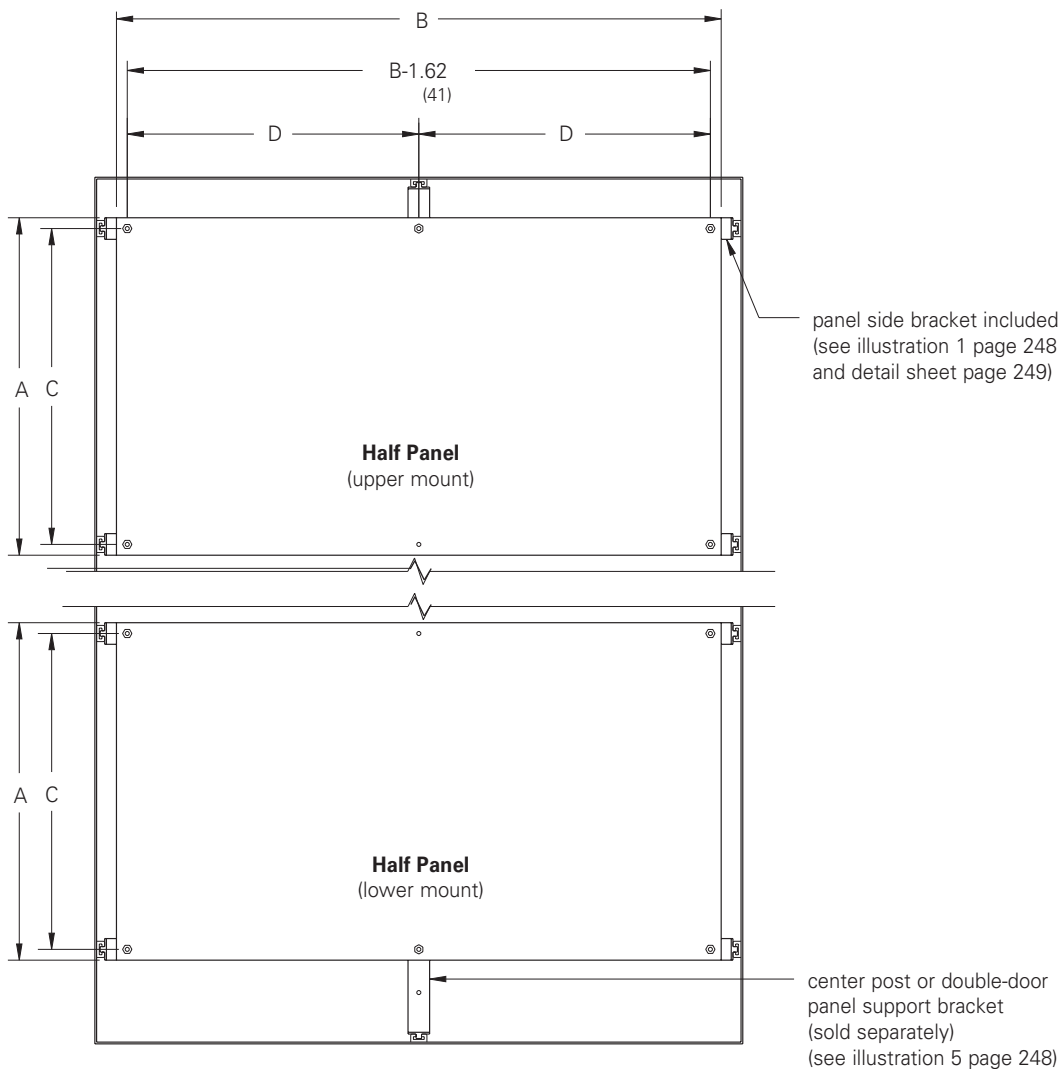
# Type 4X Panel Enclosures

## Free-Standing Enclosure Accessories Type 4X Double-Door Half Panel Illustration Sheet and Catalog Number

Discount Schedule: C2

Subclass: DSD

Panel Catalog Number	Panel Size Height x Width A x B		C		D		Fits Enclosure Height x Width			
	in.	mm	in.	mm	in.	mm	in.	mm		
AF6048HP	24.75	43.87	629	1114	23.12	587	21.12	536	60.00 x 48.00	1524 x 1219
AF7248HP	30.75	43.87	781	1114	29.12	740	21.12	536	72.00 x 48.00	1829 x 1219
AF7260HP	30.75	55.87	781	1419	29.12	740	7.12	181	72.00 x 60.00	1829 x 1524
AF7272HP	30.75	67.87	781	1724	29.12	740	33.12	841	72.00 x 72.00	1829 x 1829
AF9048HP	39.75	43.87	1010	1114	38.12	968	21.12	536	90.00 x 48.00	2286 x 1219
AF9072HP	39.85	67.87	1012	1724	38.12	968	33.12	841	90.00 x 72.00	2286 x 1829



### Half Panel Mounting

**Note:** Half panel for double-door, single and dual-access enclosures are (12) gauge steel and furnished with Panel Brackets and all hardware necessary for channel and panel mounting. **A Center Post assembly or a double-door panel support bracket (catalog number AFSUP2) for additional support of the panel is optional and sold separately.** Free-standing design permits the panel to adjust along the depth of the enclosure. With dual-access enclosures, Full and Half Panels can be mounted back-to-back.

**Notes:** Dimensions are in inches. Millimeters shown are for reference only. Data subject to change without notice.

# Type 4X Panel Enclosures

## Free-Standing Enclosure Accessories Type 4X

### Side Panel And Center Post Illustration Sheet and Catalog Number

Discount Schedule: C2

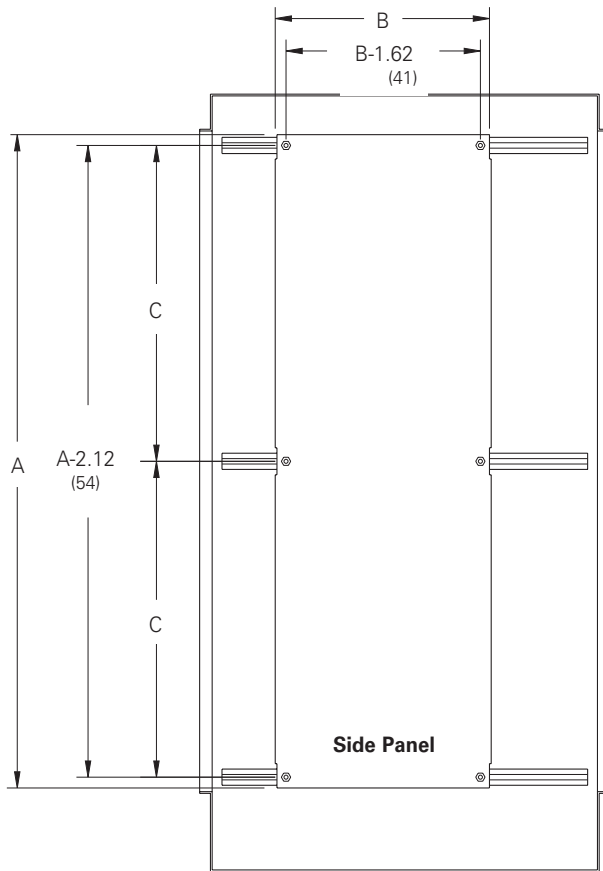
#### Side Panel - Subclass: DSD

Panel Catalog Number	Panel Size Height x Width A x B		C	Fits Enclosure Height		Depth*	
	in.	mm		in.	mm		in.
AF6018SP	48.37	1229	23.12	60.00	18.00	1524	457
AF7218SP	60.37	1533	29.12	72.00	18.00	1829	457
AF7224SP	60.37	1533	29.12	72.00	24.00	1829	610
AF9018SP	78.37	1991	38.12	90.00	18.00	2286	457
AF9024SP	78.37	1991	38.12	90.00	24.00	2286	457

#### Center Post - Subclass: DSO

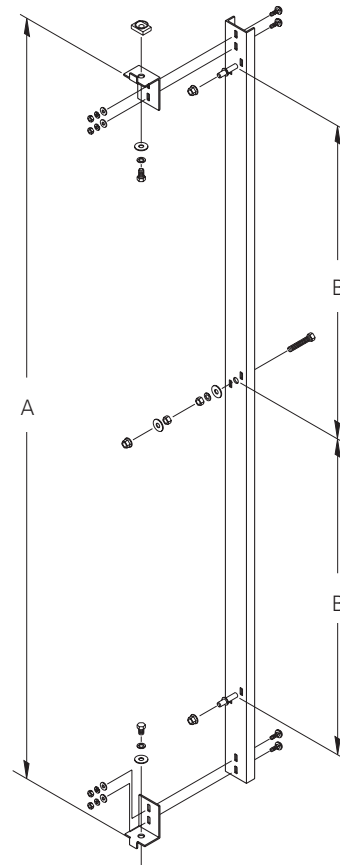
Center Post Catalog Number	A		B		Fits Enclosure Height	
	in.	mm	in.	mm	in.	mm
AF60CPS	58.37	1483	23.12	587	60.00	1524
AF72CPS	70.37	1787	29.12	740	72.00	1829
AF90CPS	88.37	2245	38.12	968	90.00	2286

\* Back panels restrict the movement of side panels and will prohibit mounting in some depths. See detail sheet for back panel spacing.



Side Panel Mounting

Side Panels are (12) gauge steel and furnished with hardware necessary for channel mounting. They will fit any width enclosure and are adjustable along its depth, however, when Full or Half Panels are installed, movement will be restricted and with some depths make side mounting prohibitive.



Center Post Assembly

Center Post assembly is furnished with all double-door Full Panels and includes hardware necessary for channel and panel mounting. The Center Post is optional on double-door Half Panels and Swing Panel mounting and must be ordered separately. It attaches to the top and bottom channels making it adjustable along the depth of the enclosure. See illustration #5 on the Detail Sheet-page 248.

**Notes:** Dimensions are in inches. Millimeters shown are for reference only. Data subject to change without notice.

# Type 4X Panel Enclosures

## Free-Standing Enclosure Accessories Type 4X Single-Door Full and Half Swing Panel Illustration Sheet and Catalog Number

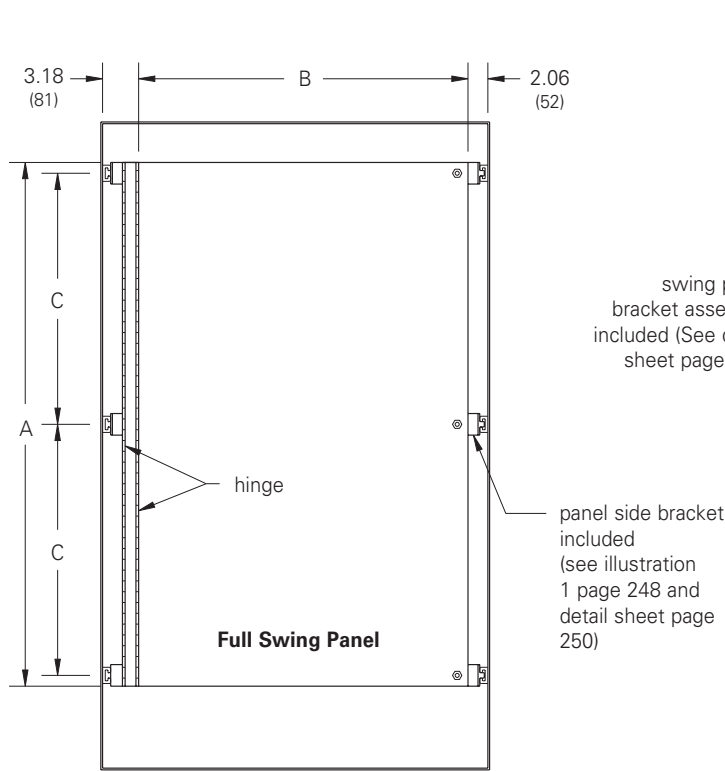
Discount Schedule: C2  
Subclass: DSD

### Full Swing Panel (Single-Door)

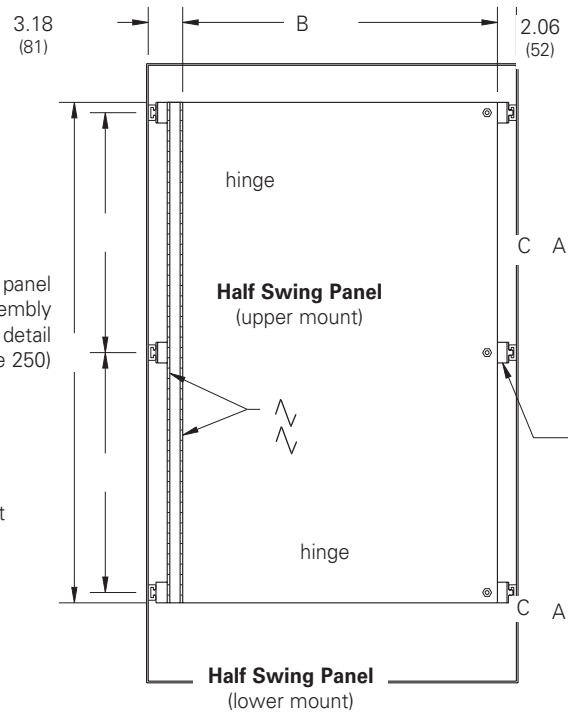
Panel Catalog Number	Panel Size Height x Width A x B		C		Fits Enclosure Height x Width	
	in.	mm	in.	mm	in.	mm
AF6024SWP	47.87	1216	23.12	587	60.00	1524
AF6036SWP	47.87	1216	23.12	587	60.00	1524
AF7224SWP	59.87	1521	29.12	740	72.00	1829
AF7230SWP	59.87	1521	29.12	740	72.00	1829
AF7236SWP	59.87	1521	29.12	740	72.00	1829
AF9024SWP	77.87	1978	38.12	968	90.00	2286
AF9036SWP	77.87	1978	38.12	968	90.00	2286

### Half Swing Panel (Single-Door)

Panel Catalog Number	Panel Size Height x Width A x B		C		Fits Enclosure Height x Width	
	in.	mm	in.	mm	in.	mm
AF6024HWP	24.75	629	23.12	587	60.00	1524
AF6036HWP	24.75	629	23.12	587	60.00	1524
AF7224HWP	30.75	781	29.12	740	72.00	1829
AF7230HWP	30.75	781	29.12	740	72.00	1829
AF7236HWP	30.75	781	29.12	740	72.00	1829
AF9024HWP	39.75	1010	38.12	968	90.00	2286
AF9036HWP	39.75	1010	38.12	968	90.00	2286



Full Swing Panel Mounting



Half Swing Panel Mounting

**Note:** Full Swing Panel and Half Swing Panel for single-door, single and dual-access enclosures are (12) gauge steel, have a dual hinge swing panel bracket and furnished with Panel Brackets and all hardware necessary for channel and panel mounting. Panels can be installed so they hinge on either the left or right side. In addition, Half Panels can be mounted in either the upper or lower portion of the enclosure. Free-standing design permits the panel to be adjustable along the depth of the enclosure. The dual hinge will allow the inner panel to swing completely out of the door opening when within 5.50 inches of the front. With dual-access enclosures, Full and Half Swing Panels can be mounted back-to-back.

**Notes:** Dimensions are in inches. Millimeters shown are for reference only. Data subject to change without notice.

# Type 4X Panel Enclosures

## Free-Standing Enclosure Accessories Type 4X Double-Door Full and Half Swing Panel Illustration Sheet and Catalog Number

Discount Schedule: C2  
Subclass: DSD

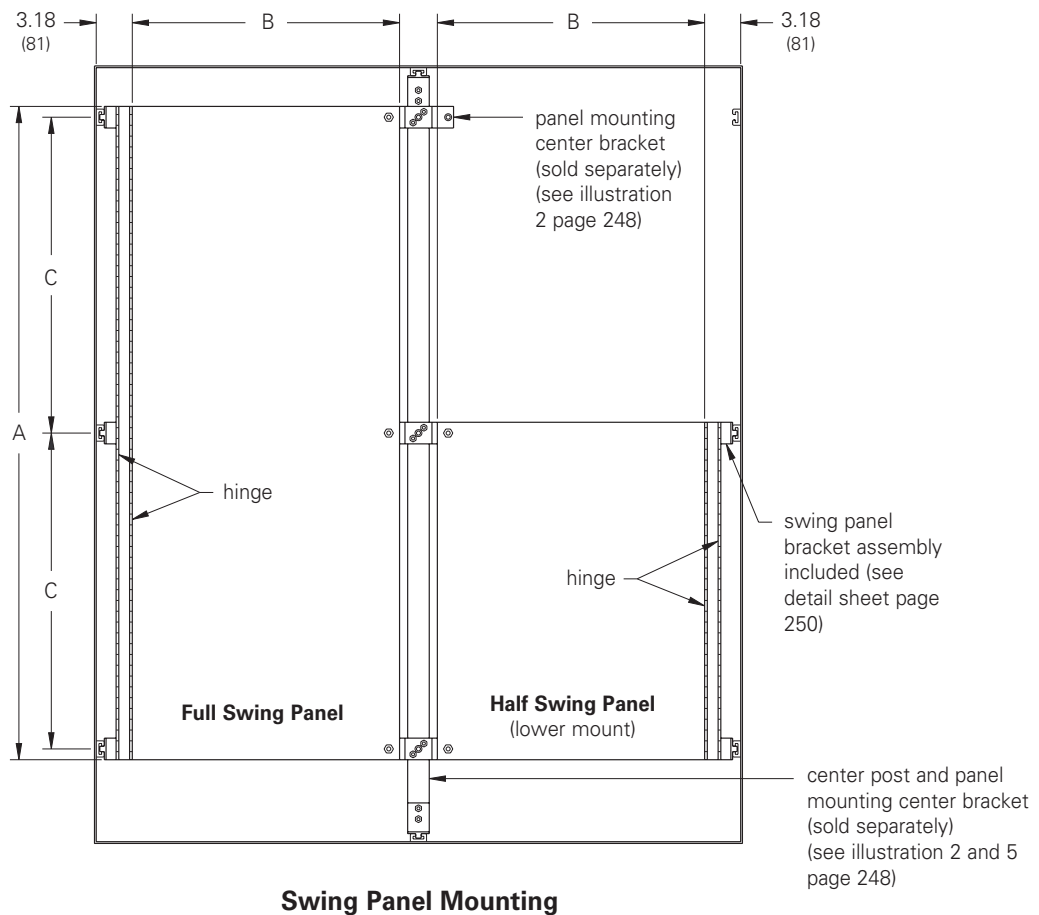
### Full Swing Panel (Single-Door)

Panel Catalog Number	Panel Size Height x Width A x B		C		Fits Enclosure Height x Width	
	in.	mm	in.	mm	in.	mm
AF6024SWP	47.87	1216	23.12	587	60.00	1524
AF7224SWP	59.87	1521	29.12	740	72.00	1829
AF7230SWP	59.87	1521	29.12	740	72.00	1829
AF7236SWP	59.87	1521	29.12	740	72.00	1829
AF9024SWP	77.87	1978	38.12	968	90.00	2286
AF9036SWP	77.87	1978	38.12	968	90.00	2286

### Half Swing Panel (Single-Door)

Panel Catalog Number	Panel Size Height x Width A x B		C		Fits Enclosure Height x Width	
	in.	mm	in.	mm	in.	mm
AF6024HWP	24.75	629	23.12	587	60.00	1524
AF7224HWP	30.75	781	29.12	740	72.00	1829
AF7230HWP	30.75	781	29.12	740	72.00	1829
AF7236HWP	30.75	781	29.12	740	72.00	1829
AF9024HWP	39.75	1010	38.12	968	90.00	2286
AF9036HWP	39.75	1010	38.12	968	90.00	2286

A Center Post assembly and Center Bracket must be ordered separately.



**Note:** Full Swing Panel and Half Swing Panel for double-door, single and dual-access enclosures are (12) gauge steel, have a dual hinge swing panel bracket, and furnished with hardware necessary for side channel mounting. **A Center Post assembly and Center Bracket must be ordered separately.** Panels can be installed so they hinge either on the left or right side. In addition, Half Panels can be mounted in either the upper or lower portion of the enclosure. Free-standing design permits the panel to adjust along the depth of the enclosure. The dual hinge will allow the inner panel to swing completely out of the door opening when within 5.50 inches of the front. With dual-access enclosures, Full and Half Swing Panels can be mounted back-to-back.

**Notes:** Dimensions are in inches. Millimeters shown are for reference only. Data subject to change without notice.

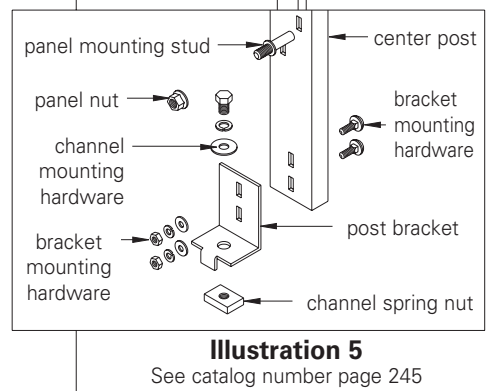
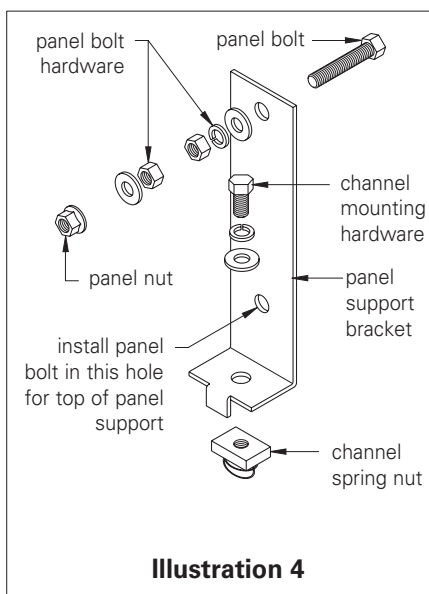
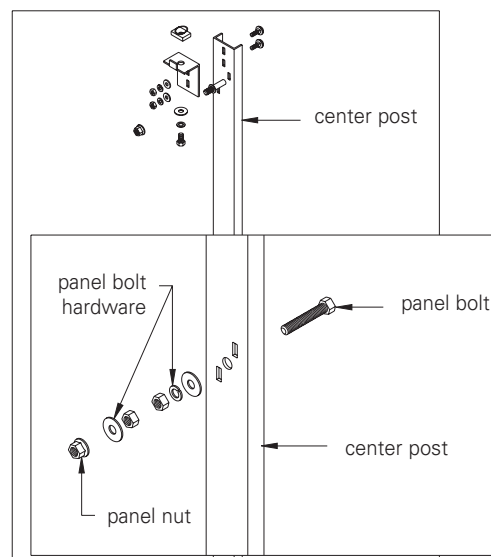
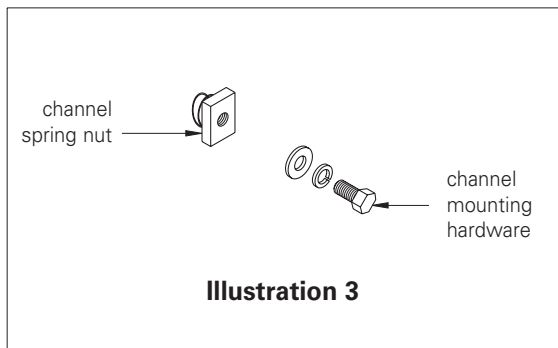
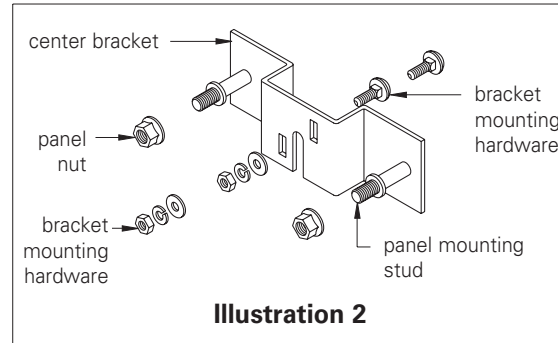
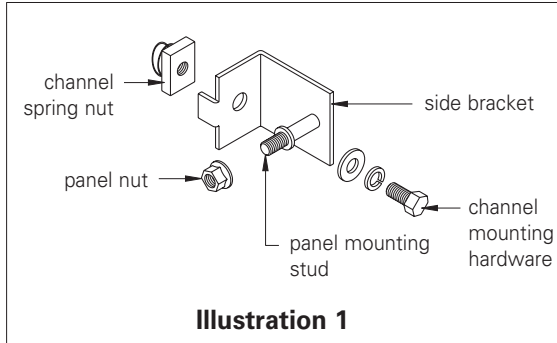
# Type 4X Panel Enclosures

## Free-Standing Enclosure Accessories Type 4X Miscellaneous Accessories Illustration Sheet and Catalog Number

Discount Schedule: C2  
Subclass: DSO

### Miscellaneous Accessories

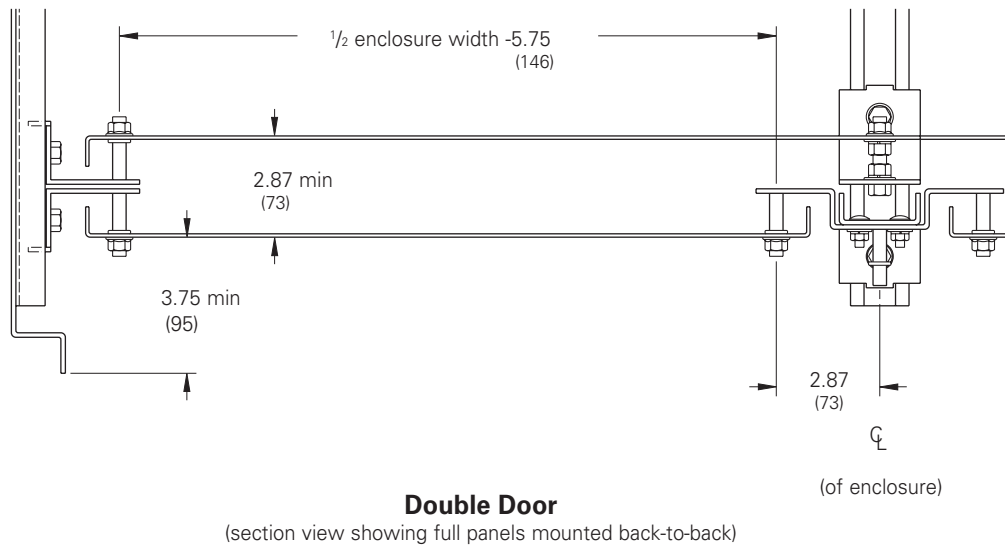
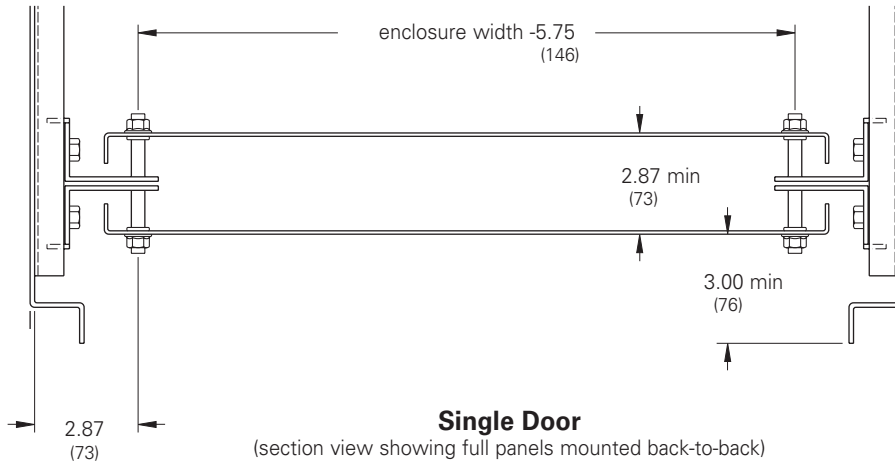
Catalog Number	Description	Illustration	Quantity
AFSBRKT1	Panel mounting side bracket	1	1
AFCBRKT3	Panel mounting center bracket	2	3
AFCMH3	Channel mounting hardware	3	3
AFPSUP2	Double-door panel support bracket	4	2



**Notes:** Dimensions are in inches. Millimeters shown are for reference only. Data subject to change without notice.

# Type 4X Panel Enclosures

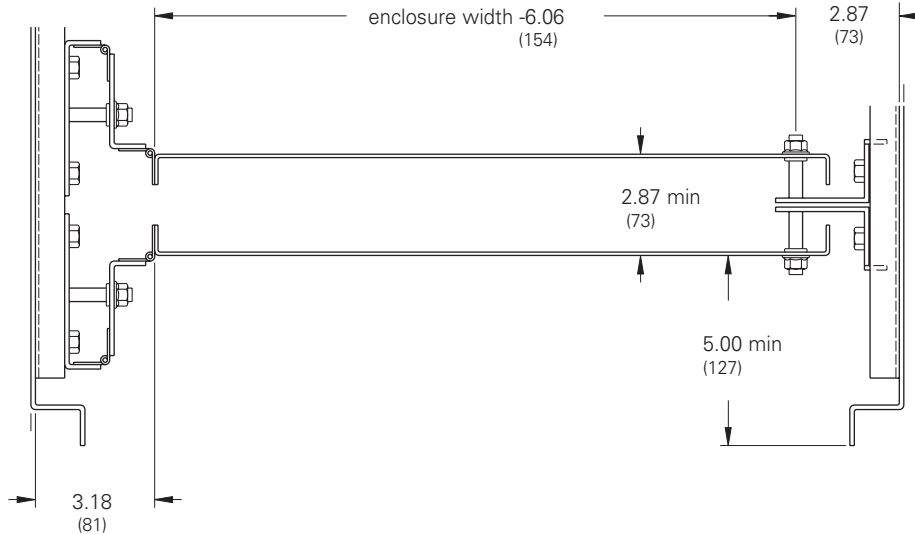
## Free-Standing Enclosure Details Type 4X Panel and Enclosure Detail Sheet



**Notes:** Dimensions are in inches. Millimeters shown are for reference only. Data subject to change without notice.

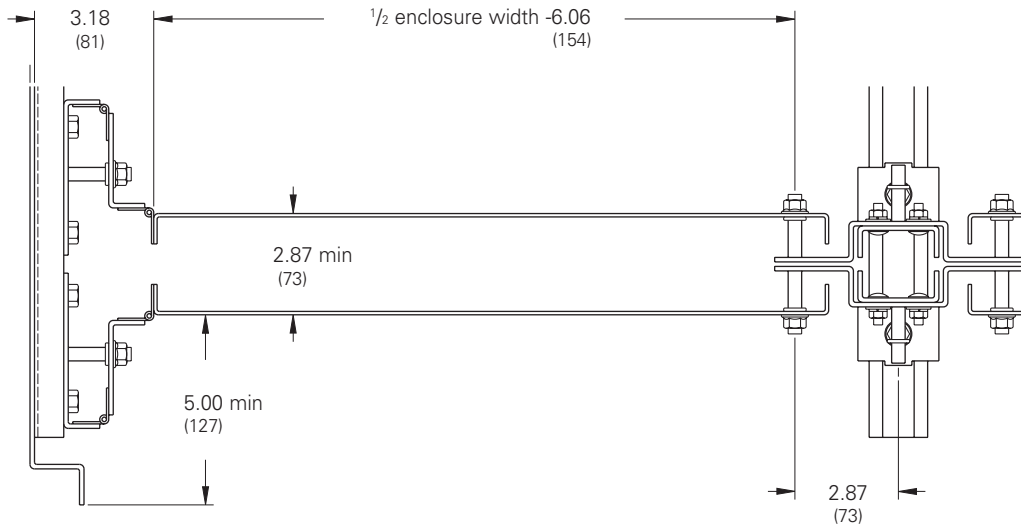
# Type 4X Panel Enclosures

## Free-Standing Enclosure Details Type 4X Swing Panel and Enclosure Detail Sheet



### Single Door

(section view showing swing panels mounted back-to-back)



### Double Door

(section view showing swing panels mounted back-to-back)

⌀  
(of enclosure)

**Notes:** Dimensions are in inches. Millimeters shown are for reference only. Data subject to change without notice.