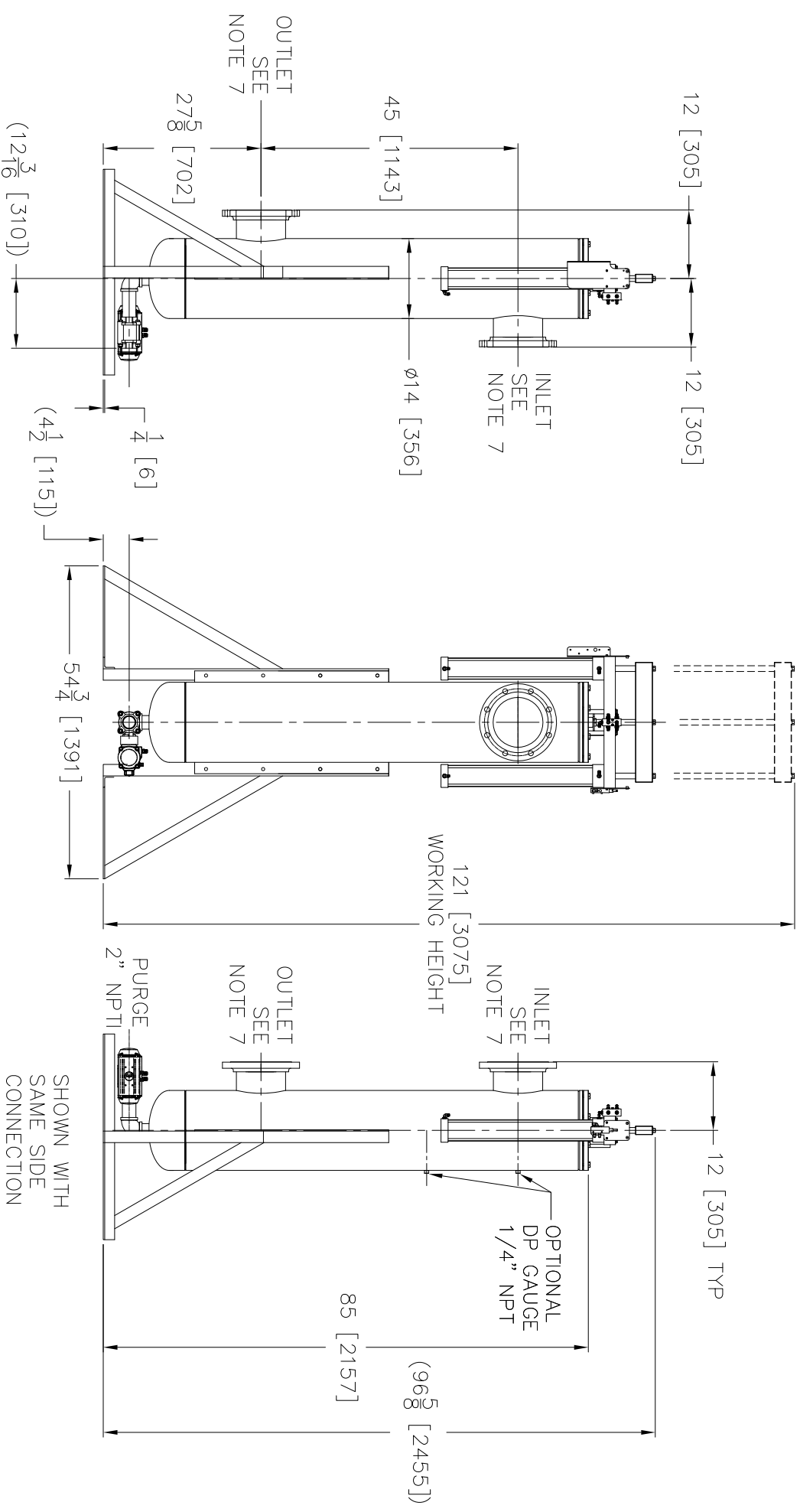
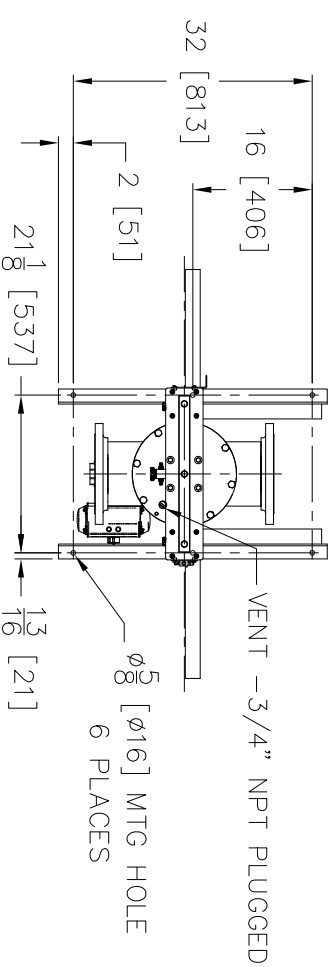


REVISIONS

REV	DESCRIPTION	BY	ECO	DATE
A	NEW ISSUE	J. JOHNSON	0115360	9/29/2015



- NOTES:
1. DIMENSIONS ARE IN INCHES [mm].
 2. FILTER ELEMENT IS DESIGN TO WITHSTAND 50 PSID [3.4 BAR] DIFFERENTIAL PRESSURE.
 3. DESIGN OF UNIT IS 150 PSI [10.3 BAR]. (U-STAMP IS AVAILABLE)
 4. MAXIMUM INTERNAL TEMPERATURE: 400° F [204° C]. (BASED ON COMPONENT SELECTION)
 5. APPROXIMATE WEIGHT IS 350 LBS [159 KG]
 6. STANDARD WETTED MATERIAL IS 316 STAINLESS STEEL.
 7. INLET/OUTLET PROCESS CONNECTIONS ARE AVAILABLE IN 4" TO 8" 150# RFSO ANSI FLANGES.
 8. PURGE CONNECTION IS 2" NPTI.
 9. INLET AIR CONNECTION IS 1/4" NPTI. SUPPLY AIR IS TO BE CLEAN, DRY, MOM-LUBRICATED AIR. 80-120 PSI [5.5-8.3 BAR] AT 5 CFM [141.5 L/min] IS REQUIRED.

DRAWN BY J. JOHNSON		DATE 09/28/15		SIZE B	DWG FILENAME DCF-3000-TWSI-GA000	REV A
SCALE AS DRAWN		THIRD ANGLE		PROJECTION		
RESTRICTION RESTRICTED		TITLE DCF-3000 - MECHANICALLY CLEANED STRAINER TWIN ACTUATOR WITH ANSI FLANGES		SHEET 1 OF 1		
DRAWN BY J. JOHNSON		DATE 09/28/15		SIZE B	DWG FILENAME DCF-3000-TWSI-GA000	REV A
SCALE AS DRAWN		THIRD ANGLE		PROJECTION		
RESTRICTION RESTRICTED		TITLE DCF-3000 - MECHANICALLY CLEANED STRAINER TWIN ACTUATOR WITH ANSI FLANGES		SHEET 1 OF 1		
DRAWN BY J. JOHNSON		DATE 09/28/15		SIZE B	DWG FILENAME DCF-3000-TWSI-GA000	REV A
SCALE AS DRAWN		THIRD ANGLE		PROJECTION		
RESTRICTION RESTRICTED		TITLE DCF-3000 - MECHANICALLY CLEANED STRAINER TWIN ACTUATOR WITH ANSI FLANGES		SHEET 1 OF 1		



HYDRAULICS GROUP
F I L T R A T I O N D I V I S I O N
GALESBURG, MICHIGAN, USA • TINTON FALLS, NEW JERSEY, USA

EATON CORPORATION - CONFIDENTIAL AND PROPRIETARY NOTICE TO PERSONS RECEIVING THIS DRAWING AND/OR TECHNICAL INFORMATION: THIS DOCUMENT, INCLUDING ALL INFORMATION HEREIN, IS THE PROPERTY OF EATON CORPORATION AND IS TO BE KEPT CONFIDENTIAL. THE POSSESSION OF THIS DOCUMENT, THE REPRODUCTION OR OTHER USE OF THIS DOCUMENT WITHOUT THE PRIOR WRITTEN CONSENT OF EATON, IN THE CASE OF CONFLICTING CONTRACTUAL PROVISIONS, IS STRICTLY PROHIBITED. © 2015 EATON CORPORATION. ALL RIGHTS RESERVED.