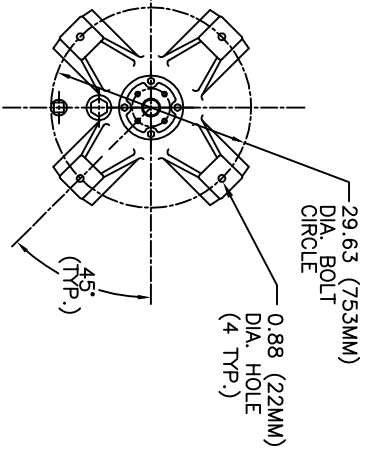


NO.	PART NAME	MATERIAL
1	BODY	DUCTILE IRON ASTM SA 395
2	COVER	DUCTILE IRON ASTM SA 395
3	ELEMENT	STAINLESS STEEL
4	BACKWASH ARM	DUCTILE IRON ASTM A 395
5	GASKET	BUNA-N
6	VENT VALVE 1/4" NPT	BRASS
7	COTTER PIN	STEEL
8	DRIVE PIN	STAINLESS STEEL
9	ELASTIC STOP NUT	STAINLESS STEEL
10	GEAR REDUCER	CAST IRON
11	MOTOR - 1/4 HP	---
12	QUAD SEAL	BUNA
13	BACKWASH SHAFT	STAINLESS STEEL
14	O-RING	BUNA-N
15	STUD	STEEL A 193 GR.B7
16	HEX NUT	STEEL A 194 GR.2H
17	PILOT BUSHING HOUSING	DUCTILE IRON ASTM SA 395
18	O-RING	BUNA-N
19	PILOT BUSHING	DELFIN
20	BACKWASH ARM GUIDE	DUCTILE IRON ASTM A 395

SECTION "A-A"



- NOTES:**
1. ALL FLANGE CONNECTIONS CONFORM TO ANSI B16.42.
 2. FOR REPLACEMENT PARTS, MODEL NO., SIZE, AND SERIAL NO., FROM THE STRAINER NAMEPLATE MUST BE FURNISHED.
 3. MAX. WORKING PRESSURE: 150 PSI @ 150° F (10.3 BAR @ 65.5° C)
 4. WEIGHT: DRY-2810 LBS. (1277 KGS.)
WET-4360 LBS. (1982 KGS.)
COVER WEIGHT: 1050 (477 KGS.)
 5. PART NO. : 25961400050

CERTIFIED FOR:
 P.O. NO.:
 REG. NO.:
 QUOTE NO.:
 TAG NO.:
 STRAINING ELEMENT:

ELECTRONIC FILE NAME: SD259613.DWG
 REF: ECR D507
 DATE 11/1/05

UNAUTHORIZED USE, MANUFACTURE OR REPRODUCTION IN WHOLE OR IN PART IS PROHIBITED. DRAWING, DESIGN AND OTHER DISCLOSURES PROPERTY OF EATON FILTRATION, LLC

		EATON FILTRATION, LLC 900 FAIRMOUNT AVENUE, ELIZABETH, NEW JERSEY 07207		
		MODEL 2596 150# FF FLANGE SELF-CLEANING STRAINER SIZE 14" DUCTILE IRON		
DRAWN A	DIM	DATE 11/13/95	CERT. FM	DATE 11/13/95
SIZE A	DWG NO	SD259613		REV F