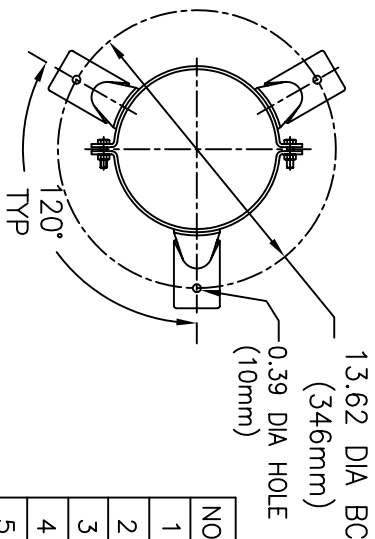
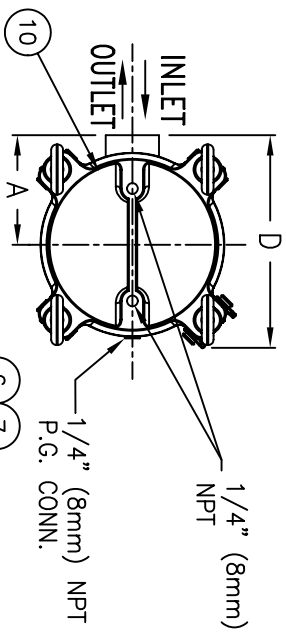


PART NUMBER	VESSEL CODE	BAG SIZE	A IN. / MM	B IN. / MM	C IN. / MM	D IN. / MM	E IN. / MM	F IN. / MM	G IN. / MM	FLOW RATE (GPM) (MAX)	WEIGHT (LBS / KGS)
F3AVFB00208	FBF-0101-CS10-020N-L	01	5.37 / 136	19.64 / 499	26.13 / 663	10.42 / 265	36.80 / 935	24.40 / 620	12.88 / 327	90	30 / 13.6
F3AVFB00209	FBF-0102-CS10-020N-L	02	5.37 / 136	35.19 / 894	41.68 / 1059	10.42 / 265	67.75 / 1708	24.40 / 620	28.43 / 722	180	43 / 19.5

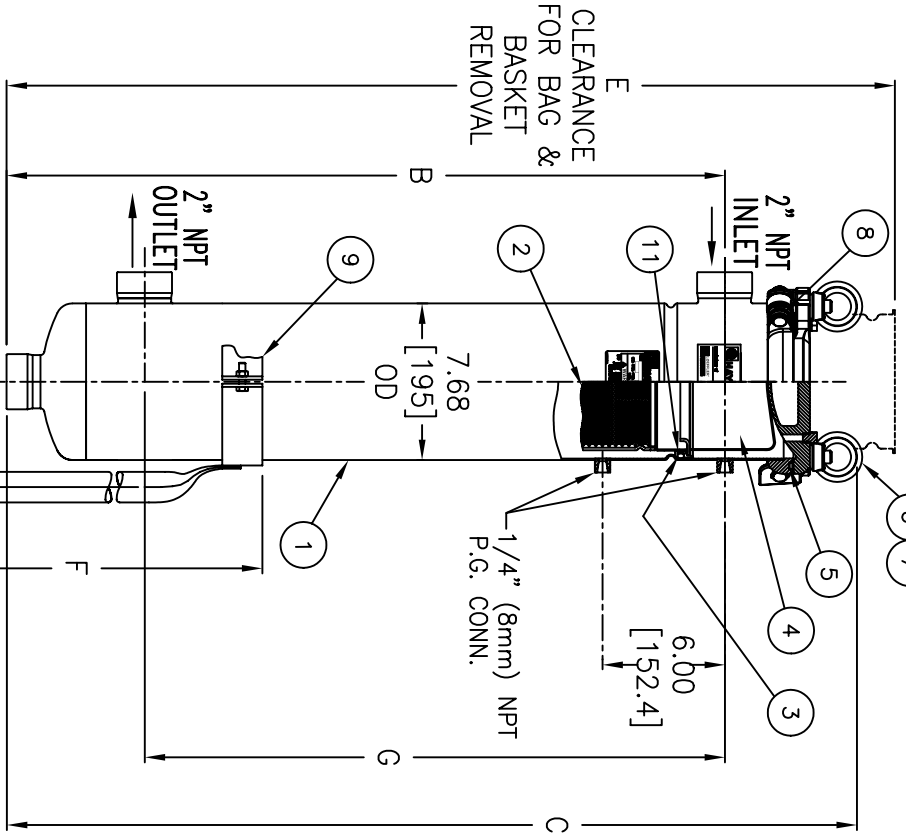


**MOUNTING DETAIL**

NO.	PART NAME	MATERIAL
1	BODY	CARBON STEEL
2	RESTRAINER BASKET	316 STAINLESS STEEL
3	ADAPTOR O-RING	BUNA-N
4	BAG HOLD DOWN	316 STAINLESS STEEL
5	O-RING	BUNA-N
6	EYE BOLT	STEEL, ZINC PLATED
7	EYE NUT	STEEL, ZINC PLATED
8	PIN	STAINLESS STEEL
9	LEGS	STAINLESS STEEL
10	COVER	CARBON STEEL
11	ADAPTOR PLATE	316 STAINLESS STEEL

**NOTES:**

1. INLET/OUTLET "NPT" THREADED CONNECTIONS PER ANSI B1.20.1.
2. MAWP: 150 PSI @ 250° F (10.3 BAR @ 121.1° C)  
MDMT: -20° F @ 150 PSI (-28.9° C @ 10.3 BAR)
3. MAXIMUM OPERATING TEMP. 400° F (204.4° C) WITH VITON O-RING.
4. PAINT C/STL. PER HAYWARD STANDARD ES-301.



CERTIFIED FOR:  
 P.O. NO.:  
 REG. NO.:  
 QUOTE NO.:  
 TAG NO.:  
 FILTER BAG:

UNAUTHORIZED USE, MANUFACTURE OR REPRODUCTION IN WHOLE OR IN PART IS PROHIBITED. DRAWING, DESIGN AND OTHER DISCLOSURES PROPERTY OF EATON FILTRATION, LLC

ELECTRONIC FILE NAME: FBF11XC-DPSSO.DWG  
 REF. ECR D626 DATE 12/15/05

**EATON**

**EATON FILTRATION, LLC**  
 900 FAIRMOUNT AVENUE, ELIZABETH, NEW JERSEY 07207

NAME: FLOWLINE (FBF) FILTER VESSEL  
 2" NPT THREADED CONNECTION  
 CARBON STEEL

SIZE	DWG NO	FJM	DATE	CERT.	LH	DATE	REV
A			7/17/02			7/17/02	D
<b>FBF11XC-DPSSO</b>							