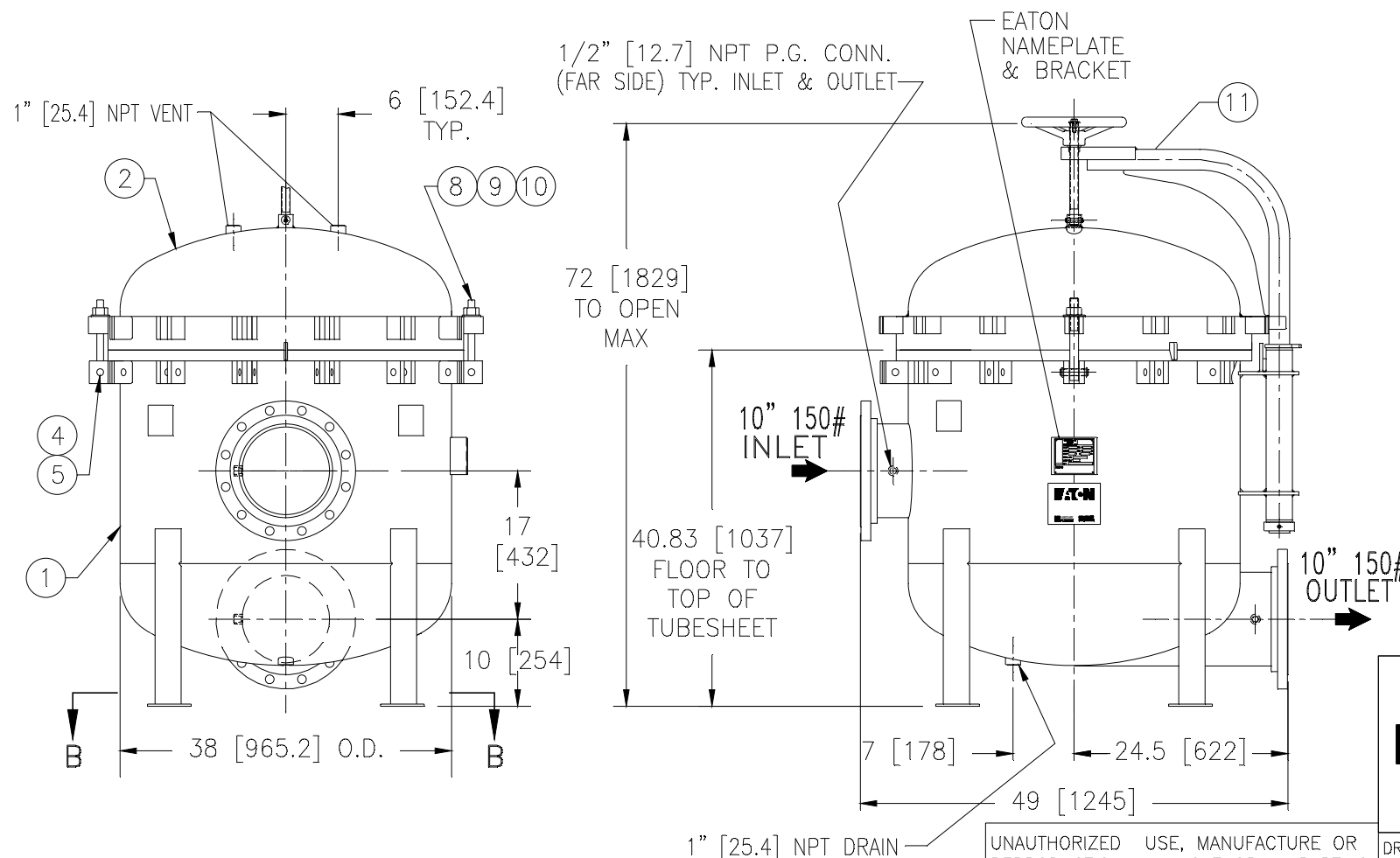


ITEM	PART NAME	MATERIAL
1	BODY	SA240 304/304L
2	COVER	SA240 304/304L
3	O-RING	BUNA-N
4	PIN	SA193 B7 ZINC PL
5	SNAP RING	STEEL ZINC PL
6	BASKET RESTRAINER	304 SS
7	FILTER BAG RETAINER	316 SS
8	EYE BOLT	SA193 B7 ZINC PL
9	HEX NUT	SA194 2H ZINC PL
10	WASHER	STEEL ZINC PL
11	DAVIT ASSEMBLY	CARBON STEEL

**NOTES:**

- UNITS ARE TO BE DESIGNED, FABRICATED & "U" STAMPED IN ACCORDANCE WITH ASME SECT. VIII, DIV. 1 BOILER & PRESSURE VESSEL CODE, IN COMPLIANCE TO LATEST ADDENDA.
- INLET / OUTLET FLANGE CONNECTIONS PER ANSI B 16.5.
- DESIGN PRESSURE: 150 PSI (MAWP)  
DESIGN TEMPERATURE 250° F.  
MDMT - -20° F @ 150 PSI.
- ALL DIMENSIONS ARE IN INCHES / (MM).
- ALL BOLT HOLES ARE TO STRADDLE NATURAL CENTERLINES.
- APPROX. WEIGHT (DRY) 1500 LB. (680 KG.)



CERTIFIED FOR:  
P.O. NO.:  
SALES ORDER NO.:  
QUOTE NO.:  
TAG NO.:  
VESSEL CODE: MBF-1202-BB10-100A-UT-11HD  
PART NUMBER: F3AV1200003-304

<b>EATON</b>		<b>EATON FILTRATION, LLC</b>	
900 FAIRMOUNT AVENUE, ELIZABETH, NEW JERSEY 07207		NAME MAXILINE MBF1202HD FILTER VESSEL 10" 150# RF INLET / TANGENTIAL OUTLET STAINLESS STEEL-304	
DRAWN	FJM	DATE	12/13/06
CERT.	LH	DATE	12/13/06
SIZE	DWG NO	REV	
A		HD1210TS-304	
		A	

ELECTRONIC FILE NAME: HD1210TS-304.DWG  
REF. ECR E370 DATE 12/13/06

UNAUTHORIZED USE, MANUFACTURE OR REPRODUCTION IN WHOLE OR IN PART IS PROHIBITED. DRAWING, DESIGN AND OTHER DISCLOSURES PROPERTY OF EATON FILTRATION, LLC