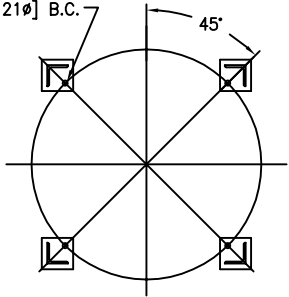
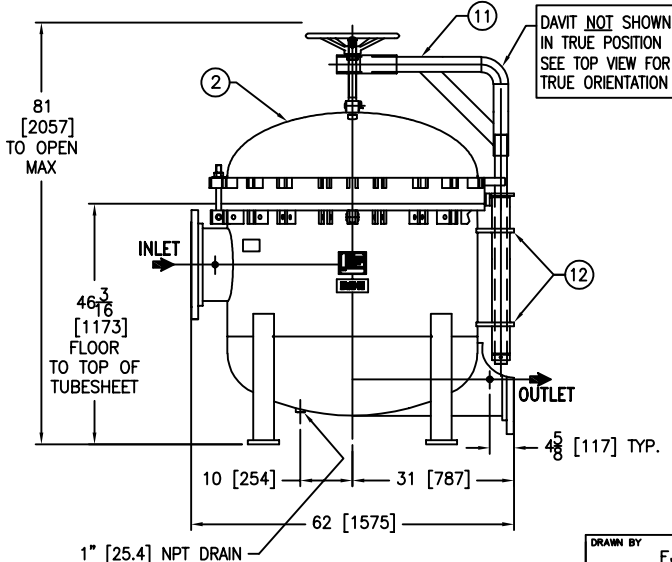
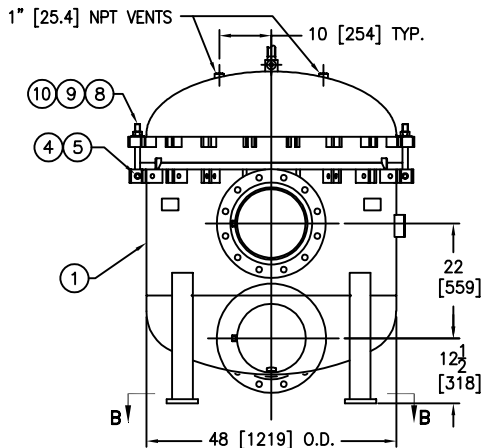


COVER CAN SWING
IN BOTH DIRECTIONS

(4) 1" \varnothing [22 \varnothing] BOLT HOLES
LOCATED AS SHOWN
ON 44.13 \varnothing [1121 \varnothing] B.C.



SECTION B-B



DAVIT NOT SHOWN
IN TRUE POSITION
SEE TOP VIEW FOR
TRUE ORIENTATION

REVISIONS				
REV	DESCRIPTION	BY	ECO	DATE
B	UPDATE DRAWING	FJM	0085187	05/17/13

ITEM	PART NAME	MATERIAL
1	BODY	SA240-304/304L
2	COVER	SA240-304/304L
3	O-RING P/N 2375035393A	BUNA-N
4	PIN	SA193 B7 ZINC PL
5	SNAP RING	STEEL ZINC PL
6	BASKET RESTRAINER P/N L0001753	316 SS
7	FILTER BAG RETAINER	316 SS
8	EYE BOLT	SA193 B7 ZINC PL
9	HEX NUT	SA194 2H ZINC PL
10	WASHER	STEEL ZINC PL
11	DAVIT ARM ASSEMBLY	CARBON STEEL
12	DAVIT BRACKET PLATES	STAINLESS STEEL

NOTES:

- UNITS ARE TO BE DESIGNED, FABRICATED & "U" STAMPED IN ACCORDANCE WITH ASME SECT. VIII, DIV. 1 BOILER & PRESSURE VESSEL CODE, IN COMPLIANCE TO LATEST ADDENDA.
- INLET / OUTLET FLANGE CONNECTIONS PER ANSI B 16.5.
- DESIGN PRESSURE: 150 PSI (MAWP)
DESIGN TEMPERATURE 250° F.
MDMT - -20° F @ 150 PSI.
- DIMENSIONS SHOWN IN [] ARE IN MILLIMETERS AND FOR REFERENCE ONLY. ACCEPTANCE OF THIS PART WILL BE BASED ON "INCH" UNITS & TOLERANCES ONLY.
- ALL BOLT HOLES ARE TO STRADDLE NATURAL CENTERLINES.
- APPROX. WEIGHT (DRY) 2445 LB. (1109 KG.)
- PAINT PER EATON STANDARD ES-301

TOLERANCES (UNLESS OTHERWISE SPECIFIED)	
DECIMAL:	.X \pm .030 .XX \pm .010 .XXX \pm .005
FRACTIONAL:	\pm 1/16 \pm 1/32
NOZZLE \varnothing TO FLOOR:	$\frac{1}{8}$ " < 4" > $\frac{1}{4}$ "
FACE TO FACE:	$\frac{1}{8}$ " < 4" > $\frac{1}{4}$ "
ANGULAR:	\pm 1'
FLANGES (H/V):	\pm 1/2"
VESSEL OVERALL HT:	1"

BOLT HOLES MUST STRADDLE \varnothing MACHINED PARTS TO BE FREE OF BURRS FOR ADDITIONAL TOLERANCE DETAILS REF. ES-211, ES-222 AND ES-223

REVIEWED FOR CLASSIFICATION PER PR-4

CRITICAL SIGNIFICANT

CUSTOMER INFO	
NAME	
P.O. NO.	
S.O. NO.	
QUANTITY	
PART NO.	F3AV2000003-304

DRAWN BY	FJM
SCALE	AS DRAWN
RESTRICTION	RESTRICTION
SHEET	1 OF 1
PROJECTION	THIRD ANGLE

VESSEL CODE: MBF-2002-BB10-140A-UT-11HD	
FATON	EATON FILTRATION, LLC DESIGN CENTER TINTON FALLS, NEW JERSEY, USA PORTAGE, MICHIGAN, USA
TITLE	MAXILINE (MBF-2002) FILTER VESSEL 14" 150# RF INLET/ TANGENTIAL OUTLET TYPE HD MAT'L. SS-304
DATE	12/13/06
SIZE	A
DWG FILENAME	HD2014TS-304
REV	B

EATON CORPORATION - CONFIDENTIAL AND PROPRIETARY NOTICE TO PERSONS RECEIVING THIS DRAWING AND/OR TECHNICAL INFORMATION
THIS DOCUMENT, INCLUDING THE DRAWINGS AND INFORMATION CONTAINED THEREIN IS CONFIDENTIAL AND IS THE EXCLUSIVE PROPERTY OF EATON. BY MAKING THE
REPRODUCTION OF THIS DOCUMENT THE RECIPIENT ACKNOWLEDGES AND AGREES THAT THIS DOCUMENT CANNOT BE USED IN ANY MANNER, POSITIVE OR NEGATIVE, IN THE ABSENCE OF EATON AND
THAT NO PORTION OF THIS DRAWING MAY BE COPIED OR OTHERWISE REPRODUCED WITHOUT THE PRIOR WRITTEN CONSENT OF EATON, IN THE CASE OF COMPLETION CONTRACTUAL
PROVISIONS. THIS NOTICE SHALL OVERTHROW THE STATUS OF THIS DOCUMENT.
2013 EATON CORPORATION - ALL RIGHTS RESERVED.