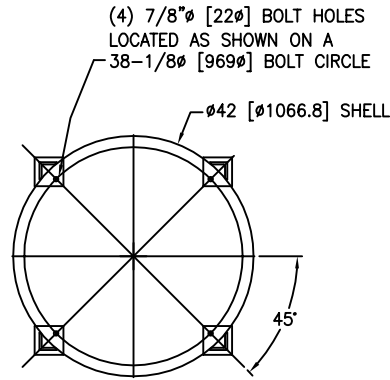
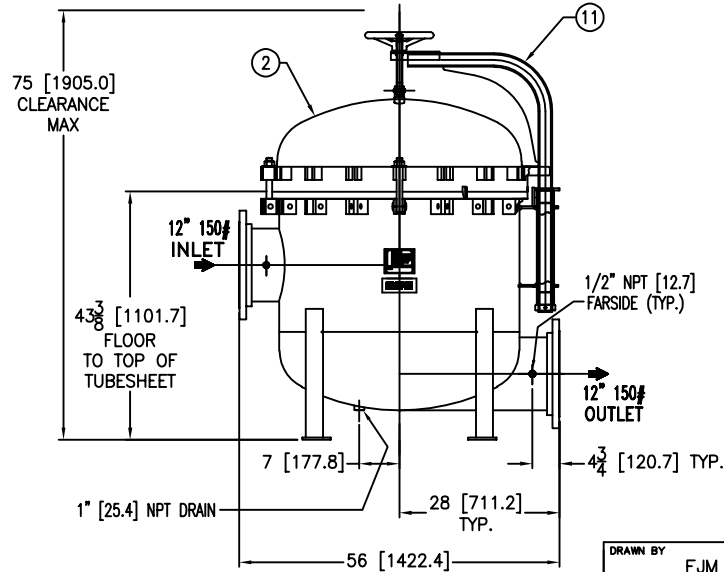
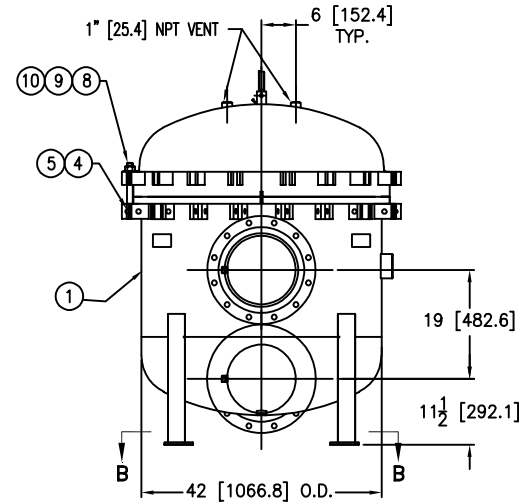


COVER CAN SWING
IN BOTH DIRECTIONS



SECTION B-B



REVISIONS

REV	DESCRIPTION	BY	ECO	DATE
A	NEW ISSUE	FJM	0073922	07/24/12
B	ENGINEERING CHANGES	FJM	0082198	02/27/13

ITEM	PART NAME	MATERIAL
1	BODY	SA240-316/316L
2	COVER	SA240-316/316L
3	O-RING P/N 2375035393	BUNA-N
4	PIN	SA193 B7 ZINC PL
5	SNAP RING	STEEL ZINC PL
6	BASKET RESTRAINER P/N L0001753	316 SS
7	FILTER BAG RETAINER	316 SS
8	EYE BOLT	SA193 B7 ZINC PL
9	HEX NUT	SA194 2H ZINC PL
10	WASHER	STEEL ZINC PL
11	DAVIT ASSEMBLY	CARBON STEEL

NOTES:

- UNITS ARE TO BE DESIGNED, FABRICATED & "U" STAMPED IN ACCORDANCE WITH ASME SECT. VIII, DIV. 1 BOILER & PRESSURE VESSEL CODE, IN COMPLIANCE TO LATEST ADDENDA.
- INLET / OUTLET FLANGE CONNECTIONS PER ANSI B 16.5.
- DESIGN PRESSURE: 150 PSI (MAWP)
DESIGN TEMPERATURE 250° F.
MDMT - -20° F @ 150 PSI.
- DIMENSIONS SHOWN IN [] ARE IN MILLIMETERS AND FOR REFERENCE ONLY. ACCEPTANCE OF THIS PART WILL BE BASED ON "INCH" UNITS & TOLERANCES ONLY.
- ALL BOLT HOLES ARE TO STRADDLE NATURAL CENTERLINES.
- APPROX. WEIGHT (DRY) 1875 LB. (850 KG.)
- PAINT PER EATON STANDARD ES-301

TOLERANCES (UNLESS OTHERWISE SPECIFIED)	
DECIMAL:	.X ± .030 .XX ± .010 .XXX ± .005
FRACTIONAL:	± 1/16 ± 1/32
NOZZLE Q TO FLOOR:	± 1/4" < 4' > ± 1/2"
FACE TO FACE:	± 1/8" < 4' > ± 1/4"
ANGULAR:	± 1'
FLANGES (H/V):	± 1/2"
VESSEL OVERALL HT:	1"

BOLT HOLES MUST STRADDLE Q
MACHINED PARTS TO BE FREE OF BURRS
FOR ADDITIONAL TOLERANCE DETAILS
REF. ES-211, ES-222 AND ES-223

REVIEWED FOR CLASSIFICATION PER PR-4
CRITICAL SIGNIFICANT

CUSTOMER INFO	
NAME	
P.O. NO.	
S.O. NO.	
QUANTITY	
PART NO.	F3AV1800003-42

DRAWN BY		VESEL CODE: MBF-1802-AB10-120A-UT-13HD	
FJM	AS DRAWN	EATON DESIGN CENTER ISELIN, NEW JERSEY, USA • PORTAGE, MICHIGAN, USA	
RESTRICTION	RESTRICTION	TITLE MAXILINE (MBF-1802) FILTER VESSEL 12" 150# RF INLET/ TANGENTIAL OUTLET TYPE HD MAT'L. SS-316	
SHEET	1 OF 1	DATE	07/24/12
PROJECTION	THIRD ANGLE	SIZE	A
		DWG FILENAME	HD1812TS-42
		REV	B

EATON CORPORATION - CONFIDENTIAL AND PROPRIETARY NOTICE TO PERSONS RECEIVING THIS DRAWING AND/OR TECHNICAL INFORMATION
THIS DOCUMENT, INCLUDING THE DRAWING AND INFORMATION CONTAINED THEREIN IS CONFIDENTIAL AND IS THE EXCLUSIVE PROPERTY OF EATON AT ANY TIME. BY TAKING THE
POSSESSION OF THIS DOCUMENT THE RECIPIENT ACKNOWLEDGES AND AGREES THAT THIS DOCUMENT CANNOT BE USED IN ANY MANNER APART FROM THE INTEREST OF EATON AND
THAT NO PORTION OF THIS DRAWING MAY BE COPIED OR OTHERWISE REPRODUCED WITHOUT THE PRIOR WRITTEN CONSENT OF EATON, IN THE CASE OF COMPLETION CONTRACTUAL
PROCEEDINGS, THIS NOTICE SHALL COVER THE STATUS OF THIS DOCUMENT.
2013 EATON CORPORATION - ALL RIGHTS RESERVED.