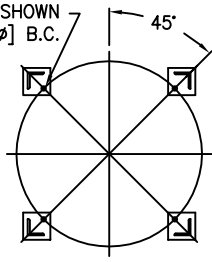
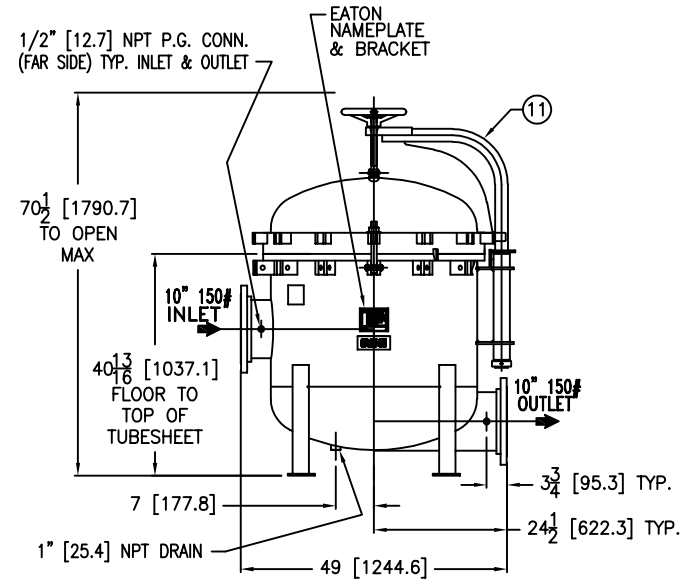
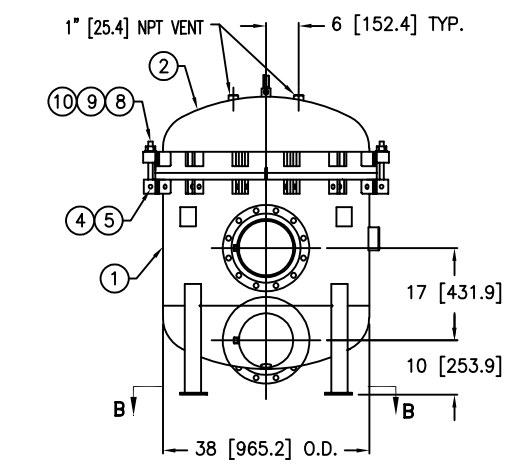


COVER CAN SWING
IN BOTH DIRECTIONS

(4) 7/8"φ [22φ] BOLT HOLES
LOCATED AS SHOWN
ON 34.13φ [867φ] B.C.



SECTION B-B



REVISIONS				
REV	DESCRIPTION	BY	ECO	DATE
G	UPDATED DRAWING	FJM	0099371	06/30/14

ITEM	PART NAME	MATERIAL
1	BODY	SA516 GR 70
2	COVER	SA516 GR 70
3	O-RING P/N 2375035493A	BUNA-N
4	PIN	SA193 B7 ZINC PL
5	SNAP RING	STEEL ZINC PL
6	RESTRAINER BASKET P/N L0001753	316 SS
7	FILTER BAG RETAINER	316 SS
8	EYE BOLT	SA193 B7 ZINC PL
9	HEX NUT	SA194 2H ZINC PL
10	WASHER	STEEL ZINC PL
11	DAVIT ASSEMBLY	CARBON STEEL

NOTES:

- UNITS ARE TO BE DESIGNED, FABRICATED & "U" STAMPED IN ACCORDANCE WITH ASME SECT. VIII, DIV. 1 BOILER & PRESSURE VESSEL CODE, IN COMPLIANCE TO LATEST ADDENDA.
- INLET / OUTLET FLANGE CONNECTIONS PER ANSI B 16.5.
- DESIGN PRESSURE: 150 PSI (MAWP)
DESIGN TEMPERATURE 250° F.
MDMT - -20° F @ 150 PSI.
- DIMENSIONS SHOWN IN [] ARE IN MILLIMETERS AND FOR REFERENCE ONLY. ACCEPTANCE OF THIS PART WILL BE BASED ON "INCH" UNITS & TOLERANCES ONLY.
- ALL BOLT HOLES ARE TO STRADDLE NATURAL CENTERLINES.
- APPROX. WEIGHT (DRY) 1500 LB. (680 KGS.)
- PAINT CARBON STEEL PER EATON STANDARD ES-301

TOLERANCES (UNLESS OTHERWISE SPECIFIED)	
DECIMAL:	.X ± .030 .XX ± .010 .XXX ± .005
FRACTIONAL:	± 1/16 ± 1/32
NOZZLE C TO FLOOR:	1/8" < 4' > 1/4"
FACE TO FACE:	1/8" < 4' > 1/4"
ANGULAR:	± 1'
FLANGES (H/V):	± 1/2"
VESSEL OVERALL HT:	1"

BOLT HOLES MUST STRADDLE C
MACHINED PARTS TO BE FREE OF BURRS
FOR ADDITIONAL TOLERANCE DETAILS
REF. ES-211, ES-222 AND ES-223

CUSTOMER INFO	
NAME	
P.O. NO.	
S.O. NO.	
QUANTITY	
PART NO.	F3AV1200004

DRAWN BY VA	SCALE AS DRAWN
RESTRICTION RESTRICTED	
SHEET 1 OF 1	PROJECTION THIRD ANGLE
DATE 11/08/00	SIZE A
DATE 11/08/00	DWG FILENAME HD1210TC
DATE 11/08/00	REV G

VESEL CODE: MBF-1202-CS10-100A-UT-13HD

EATON FILTRATION
DESIGN CENTER
TINTON FALLS, NEW JERSEY, USA • PORTAGE, MICHIGAN, USA

TITLE
MAXILINE (MBF-1202HD) FILTER VESSEL
10" 150# RF INLET / TANGENTIAL OUTLET
CARBON STEEL W/BUNA O-RING

THIS DOCUMENT, INCLUDING THE DRAWING AND INFORMATION CONTAINED THEREON IS CONFIDENTIAL AND IS THE EXCLUSIVE PROPERTY OF EATON AT ANY TIME. BY TAKING THE POSSESSION OF THIS DOCUMENT THE RECIPIENT ACKNOWLEDGES AND AGREES THAT THIS DOCUMENT CANNOT BE USED IN ANY MANNER ADVERSE TO THE INTEREST OF EATON AND THAT NO PORTION OF THIS DRAWING MAY BE COPIED OR OTHERWISE REPRODUCED WITHOUT THE PRIOR WRITTEN CONSENT OF EATON, IN THE CASE OF CONFLICT OF CONTRACTUAL PROVISIONS, THIS NOTICE SHALL GOVERN THE STATUS OF THIS DOCUMENT.
2014 EATON CORPORATION - ALL RIGHTS RESERVED.