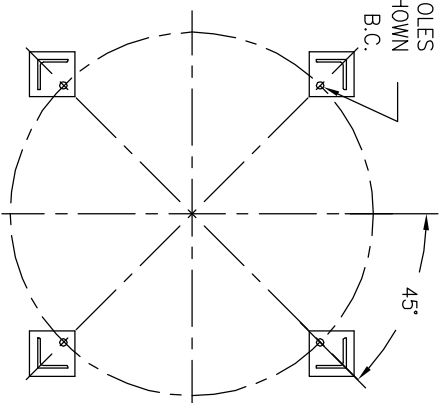


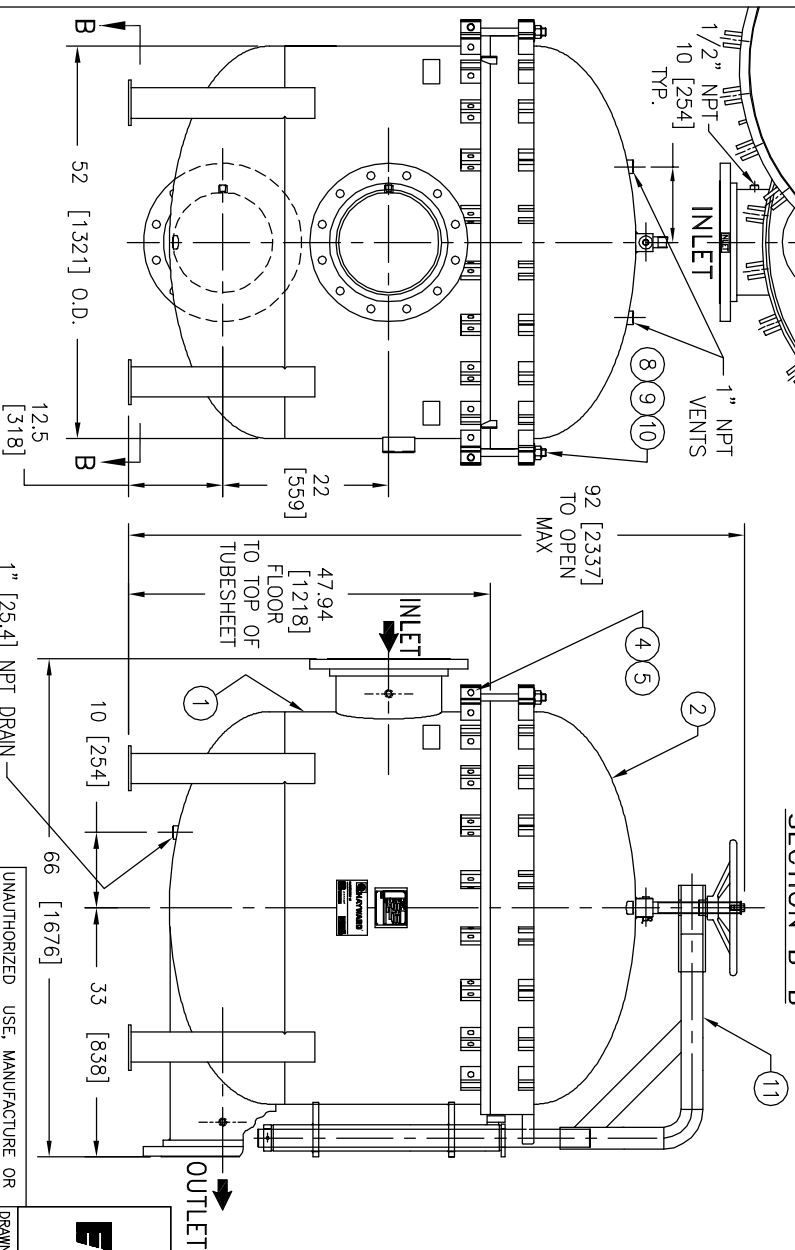
(4) 1"  $\phi$  [22 $\phi$ ] BOLT HOLES  
LOCATED AS SHOWN  
ON 48.13 $\phi$  [1222 $\phi$ ] B.C.



ITEM	PART NAME	MATERIAL
1	BODY	SA516 GR 70
2	COVER	SA516 GR 70
3	O-RING	BUNA-N
4	PIN	SA193 B7 ZINC PL
5	SNAP RING	STEEL ZINC PL
6	BASKET RESTRAINER	316 SS
7	FILTER BAG RETAINER	316 SS
8	EYE BOLT	SA193 B7 ZINC PL
9	HEX NUT	SA194 2H ZINC PL
10	WASHER	STEEL ZINC PL
11	DAVIT ASSEMBLY	CARBON STEEL

**NOTES:**

1. UNITS ARE TO BE DESIGNED, FABRICATED & "U" STAMPED IN ACCORDANCE WITH ASME SECT. VIII, DIV. 1 BOILER & PRESSURE VESSEL CODE, IN COMPLIANCE TO LATEST ADDENDA.
2. INLET / OUTLET FLANGE CONNECTIONS PER ANSI B 16.5.
3. DESIGN PRESSURE: 150 PSI (MAMP)  
DESIGN TEMPERATURE 250° F.  
MDMT - -20° F @ 150 PSI.
4. ALL DIMENSIONS ARE IN INCHES / (MM).
5. ALL BOLT HOLES ARE TO STRADDLE NATURAL CENTERLINES.
6. APPROX. WEIGHT (DRY) 2730 LB. (1238 KG.)
7. PAINT C/STL. PER HAYWARD STANDARD ES-301.



1" [25.4] NPT DRAIN

UNAUTHORIZED USE, MANUFACTURE OR REPRODUCTION IN WHOLE OR IN PART IS PROHIBITED. DRAWING, DESIGN AND OTHER DISCLOSURES PROPERTY OF EATON FILTRATION, LLC

**CERTIFIED FOR:**  
P.O. NO.:  
REG. NO.:  
QUOTE NO.:  
TAG NO.:  
VESSEL CODE: MBF-2202-CS10-140A-UT-13HD  
PART NUMBER: F3AV2200004

**EATON**  
900 FAIRMOUNT AVENUE, ELIZABETH, NEW JERSEY 07207  
**EATON FILTRATION, LLC**  
NAME: MAXILINE MBF2202HD FILTER VESSEL  
14"  $\phi$  150# RF INLET / TANGENTIAL OUTLET  
CARBON STEEL

DRAWN	SIGMA/ID	DATE	CERT.	LF	DATE	REV
A		12/28/00			5/1/01	C

ELECTRONIC FILE NAME: HD2214TC.DWG  
REF. EGR D666 DATE 01/23/06