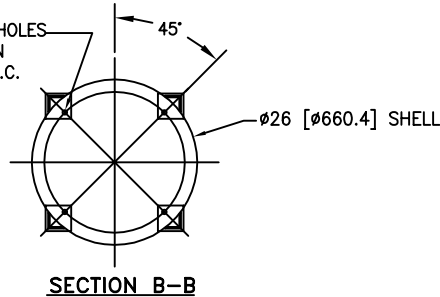


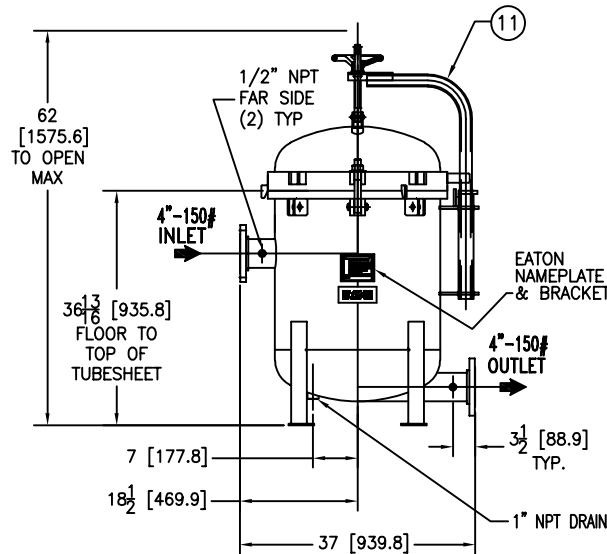
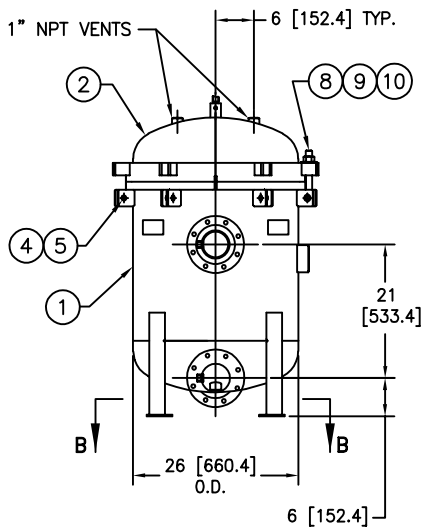
COVER CAN SWING  
IN BOTH DIRECTIONS

(4) 3/4"  $\phi$  [19 $\phi$ ] BOLT HOLES  
LOCATED AS SHOWN  
ON 22.13 $\phi$  [562 $\phi$ ] B.C.



REVISIONS				
REV	DESCRIPTION	BY	ECO	DATE
C	UPDATED DRAWING	FJM	0105295	12/05/14

ITEM	PART NAME	MATERIAL
1	BODY	SA516 GR. 70
2	COVER	SA516 GR. 70
3	O-RING P/N 2375036593	BUNA-N
4	PIN	SA193 B7 ZINC PL
5	SNAP RING	STEEL ZINC PL
6	RESTRAINER BASKET P/N L0001753	316 SS
7	FILTER BAG RETAINER	316 SS
8	EYE BOLT	SA354 BD ZINC PL
9	HEX NUT	SA194 2H ZINC PL
10	WASHER	STEEL ZINC PL
11	DAVIT ASSEMBLY	CARBON STEEL



**NOTES:**

- UNITS ARE TO BE DESIGNED, FABRICATED & "U" STAMPED IN ACCORDANCE WITH ASME SECT. VIII, DIV. 1 BOILER & PRESSURE VESSEL CODE, IN COMPLIANCE TO LATEST ADDENDA.
- INLET / OUTLET FLANGE CONNECTIONS PER ANSI B 16.5.
- DESIGN PRESSURE: 150 PSI (MAWP)  
DESIGN TEMPERATURE 250° F.  
MDMT - -20° F @ 150 PSI.
- DIMENSIONS SHOWN IN [ ] ARE IN MILLIMETERS AND FOR REFERENCE ONLY. ACCEPTANCE OF THIS PART WILL BE BASED ON "INCH" UNITS & TOLERANCES ONLY.
- ALL BOLT HOLES ARE TO STRADDLE NATURAL CENTERLINES.
- APPROX. WEIGHT (DRY) 775 LB. (351.6 kgs)
- APPROX. SHIPPING WEIGHT 900 LBS. (408.3 kgs)
- ALL CARBON STEEL PAINTED PER EATON STANDARD ES-301

VESSEL CODE: MBF-0602-CS10-040A-UT-13HD

**EATON** HYDRAULICS GROUP  
FILTRATION DIVISION  
GALESBURG, MICHIGAN, USA • TINTON FALLS, NEW JERSEY, USA

TITLE MAXILINE (MBF-0602HD) FILTER VESSEL  
4" 150# RF INLET/TANGENTIAL OUTLET  
MAT'L. CARBON STEEL W/BUNA O-RING

DATE 07/25/01 SIZE A DWG FILENAME HD0604TC REV C

EATON CORPORATION - CONFIDENTIAL AND PROPRIETARY NOTICE TO PERSONS RECEIVING THIS DRAWING AND/OR TECHNICAL INFORMATION  
THIS DOCUMENT, INCLUDING THE DRAWING AND INFORMATION CONTAINED THEREIN IS CONFIDENTIAL AND IS THE EXCLUSIVE PROPERTY OF EATON AT ANY TIME. BY SHARING THE POSSESSION OF THIS DOCUMENT THE RECIPIENT ACKNOWLEDGES AND AGREES THAT THIS DOCUMENT CANNOT BE USED IN ANY MANNER ADVERSE TO THE INTEREST OF EATON AND THAT NO PORTION OF THIS DRAWING MAY BE COPIED OR OTHERWISE REPRODUCED WITHOUT THE PRIOR WRITTEN CONSENT OF EATON, IN THE CASE OF CONFLICTION CONTRACTUAL PROVISIONS, THIS NOTICE SHALL GOVERN THE STATUS OF THIS DOCUMENT.  
2014 EATON CORPORATION - ALL RIGHTS RESERVED.

TOLERANCES (UNLESS OTHERWISE SPECIFIED)	
DECIMAL:	.X $\pm$ .030 .XX $\pm$ .010 .XXX $\pm$ .005
FRACTIONAL:	$\pm$ 1/16 $\pm$ 1/32
NOZZLE $\phi$ TO FLOOR:	$\frac{1}{8}$ " < 4" > $\frac{1}{4}$ "
FACE TO FACE:	$\frac{1}{8}$ " < 4" > $\frac{1}{4}$ "
ANGULAR:	$\pm$ 1'
FLANGES (H/A):	$\pm$ 1/2
VESSEL OVERALL HT:	1"

BOLT HOLES MUST STRADDLE  $\phi$   
MACHINED PARTS TO BE FREE OF BURRS  
FOR ADDITIONAL TOLERANCE DETAILS  
REF. ES-211, ES-222 AND ES-223

REVIEWED FOR CLASSIFICATION PER PR-4  
CRITICAL SIGNIFICANT

CUSTOMER INFO	
NAME	
P.O. NO.	
S.O. NO.	
QUANTITY	
PART NO.	F3AV0600102

DRAWN BY FJM	SCALE AS DRAWN
RESTRICTION RESTRICTED	SHEET 1 OF 1
PROJECTION THIRD ANGLE	