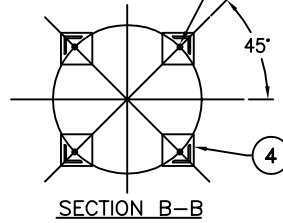
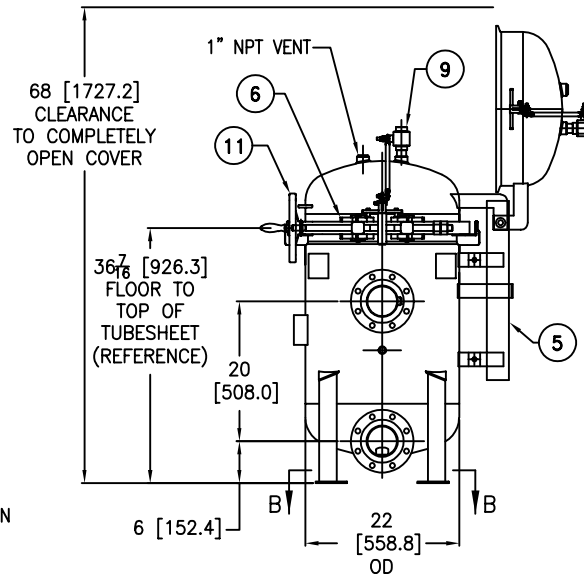
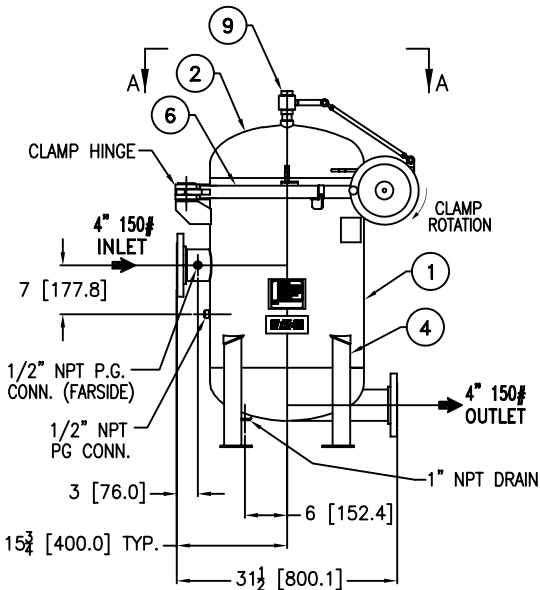


(4) .75 [19.0] Ø BOLT HOLES
LOCATED ON 21.26 [540.0] B.C.D.



REVISIONS				
REV	DESCRIPTION	BY	ECO	DATE
F	UPDATED DRAWING & NOTE 1	FJM	0129271	11/21/16

ITEM	PART NAME	MATERIAL
1	BODY	SA240-316/316L
2	COVER	SA240-316/316L
3	O-RING P/N L0000292	BUNA-N
4	LEGS	STAINLESS STEEL
5	SPRING ASSISTED MECHANISM	STAINLESS STEEL
6	CLAMP ASSEMBLY	STAINLESS STEEL
7	RESTRAINER BASKET P/N L0001753	316 SS
8	FILTER BAG HOLD DOWN	316 SS
9	1" VENT VALVE ASSY.	316 SS
10	SPINDLE BOLT	SA193-B7 NEDOX COATED
11	SPINDLE HAND WHEEL	ALUMINUM (BLACK COATED)



NOTES:

- UNITS ARE DESIGNED, FABRICATED AND "U" STAMPED IN ACCORDANCE WITH THE ASME BOILER & PRESSURE VESSEL CODE SECTION VIII, DIVISION 1, IN COMPLIANCE TO CURRENT MANDATORY EDITION.
- INLET/OUTLET FLANGE CONNECTIONS PER ANSI B16.5
- DESIGN PRESSURE: 150 PSIG @ 250°F (10.3 BAR @ 121.1°C)
- DIMENSIONS SHOWN IN [] ARE IN MILLIMETERS AND FOR REFERENCE ONLY. ACCEPTANCE OF THIS PART WILL BE BASED ON "INCH" UNITS & TOLERANCES ONLY.
- ALL BOLT HOLES STRADDLE NATURAL CENTERLINE.
- APPROX. WEIGHT (DRY): 485 lbs. (219 kgs.)
- APPROX. SHIPPING WEIGHT 605 lbs. (274 kgs.)

VESSEL CODE: VMBF-0402-AB10-040A-UT-11SE

TOLERANCES (UNLESS OTHERWISE SPECIFIED)	
DECIMAL:	.X ± .030 .XX ± .010 .XXX ± .005
FRACTIONAL:	± 1/16
NOZZLE Ø TO FLOOR:	1/4" < 4' > 1/2"
FACE TO FACE:	1/4" < 4' > 1/2"
ANGULAR:	± 1'
FLANGES (H/V):	± 1/2"
VESSEL OVERALL HT:	1"

BOLT HOLES MUST STRADDLE Ø MACHINED PARTS TO BE FREE OF BURRS FOR ADDITIONAL TOLERANCE DETAILS. REF. ES-211, ES-222 AND ES-223

REVIEWED FOR CLASSIFICATION PER PR-4
 CRITICAL SIGNIFICANT

CUSTOMER INFO	
NAME	
P.O. NO.	
S.O. NO.	
QUANTITY	
PART NO.	F3AV0400010

DRAWN BY	FJM
SCALE	AS DRAWN
RESTRICTION	RESTRICTION
SHEET	1 OF 1
PROJECTION	
THIRD ANGLE	

EATON HYDRAULICS GROUP
 FILTRATION DIVISION
 GALESBURG, MICHIGAN, USA • TINTON FALLS, NEW JERSEY, USA

TITLE: MAXILINE (VMBF-0402) FILTER VESSEL
 4" 150# RF INLET/ TANGENTIAL OUTLET
 SPINDLE TYPE-SE IN-LINE MAT'L. SS-316

DATE	01/28/03	SIZE	A	DWG FILENAME	SE0404TS	REV	F
------	----------	------	---	--------------	----------	-----	---

EATON CORPORATION - CONFIDENTIAL AND PROPRIETARY NOTICE TO PERSONS RECEIVING THIS DRAWING AND/OR TECHNICAL INFORMATION
 THIS DOCUMENT, INCLUDING THE DRAWING AND INFORMATION CONTAINED THEREON IS CONFIDENTIAL AND IS THE EXCLUSIVE PROPERTY OF EATON AT ANY TIME. BY TAKING THE POSSESSION OF THIS DOCUMENT THE RECIPIENT ACKNOWLEDGES AND AGREES THAT THIS DOCUMENT CANNOT BE USED IN ANY MANNER ADVERSE TO THE INTEREST OF EATON AND THAT NO PORTION OF THIS DRAWING MAY BE COPIED OR OTHERWISE REPRODUCED WITHOUT THE PRIOR WRITTEN CONSENT OF EATON, IN THE CASE OF CONFLICTING CONTRACTUAL PROVISIONS, THIS NOTICE SHALL GOVERN THE STATUS OF THIS DOCUMENT.
 2016 EATON CORPORATION - ALL RIGHTS RESERVED.